

HYDRO RETRIEVER TRAC 280 BHD

THIS PARTS LIST IS FOR MACHINES
AFTER SERIAL NUMBER 092 028

PARTS LIST



ADVANCE
MACHINE COMPANY

INTERNATIONAL HEADQUARTERS, Spring Park, Minnesota 55384-0275

EUROPE, 4 Rue Jean Engling, L-1466 Luxembourg

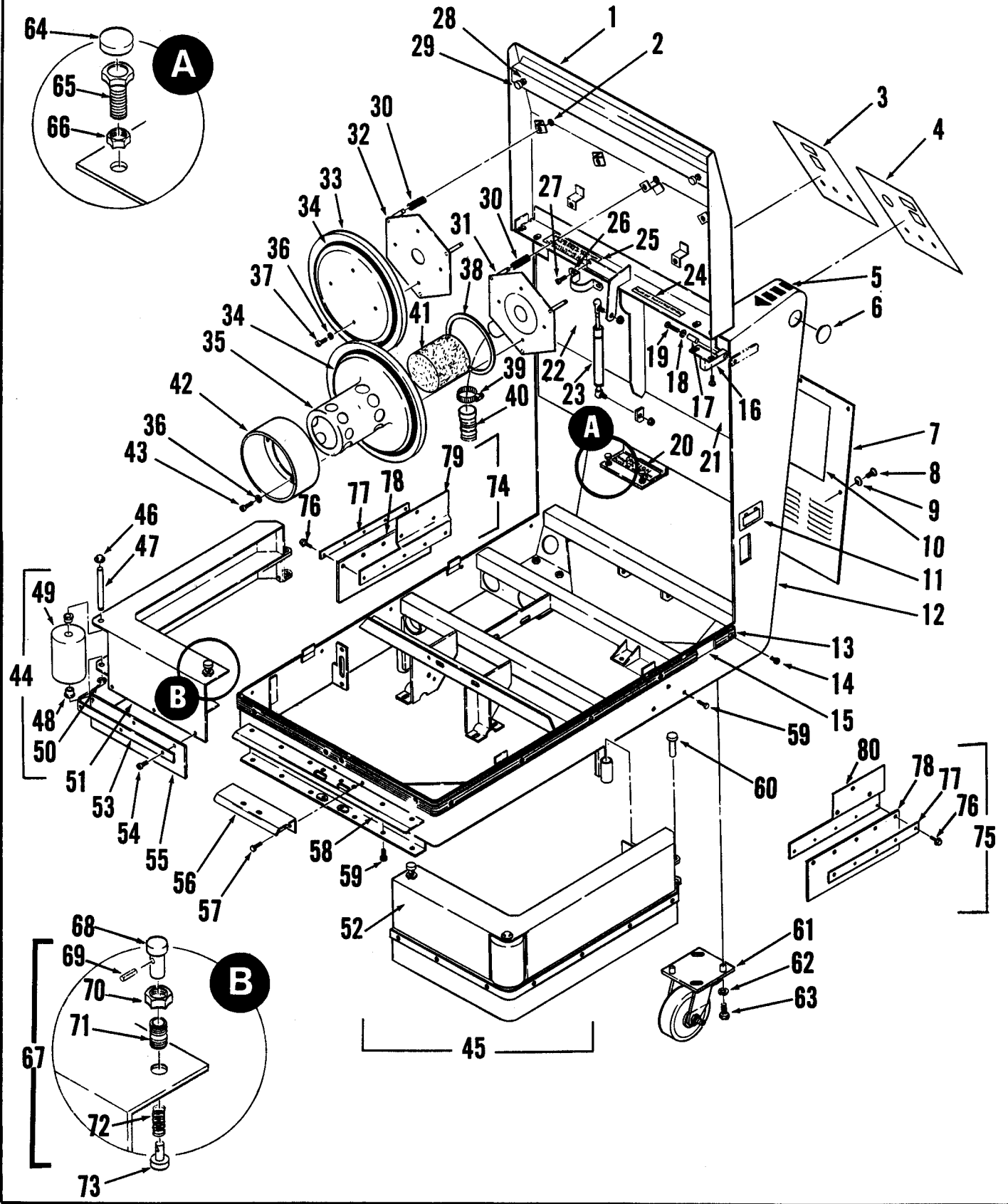
CANADA, 1295 Crestlawn Drive, Mississauga, Ontario L4W 1A9

© 1986 Advance Machine Co. FORM NO. 042 147 12/85



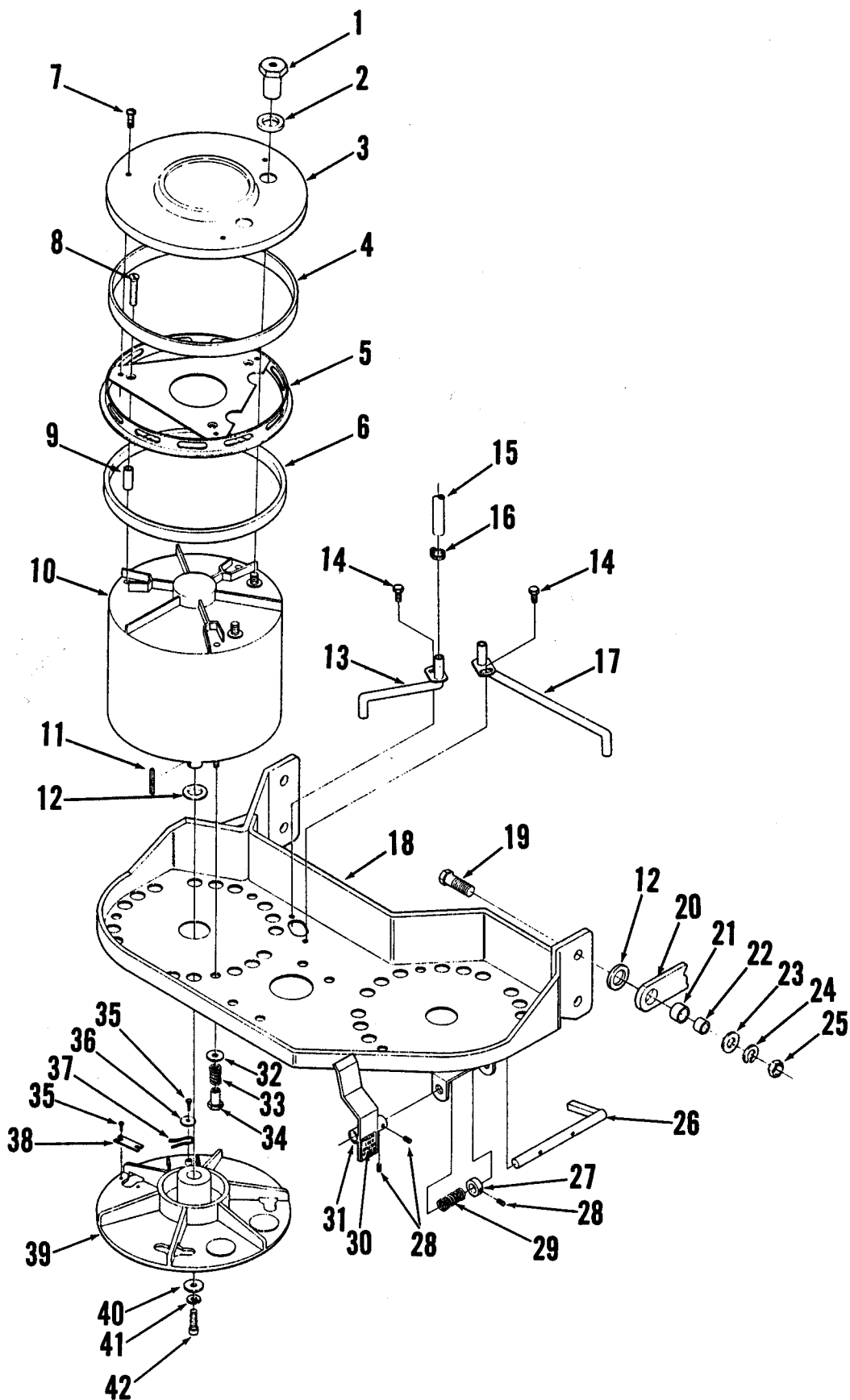
INDEX FOR FORM NUMBER 042147

<u>Description</u>	<u>Location</u>	<u>Page</u>
Brush Drive	B11	3
Brush Lift	B13	5
Casters, Skirts & Hood	B9	1
Controls & Electrical Panel	C7	13
Solution Valve, Vacuum Motor & Tanks	C1	7
Squeegee	C5	11
Vacuum Motor (internal parts)	C10	16
Wheel Drive & Brake	C3	9
Wiring Diagram	C9	15



CHASSIS AND HOOD ASSEMBLIES

Item	Part No.	Qty	Description	Item	Part No.	Qty	Description
1	376600	1	Hood	53	376074	2	Strap
2	321125	6	Retaining Ring	54	372929	16	#10-24 Screw
3	016944	1	Decal, Control Panel Right	55	376076	2	Blade
4	016942	1	Decal, Control Panel Left	56	376578	1	Bracket
5	025286	2	Decal, Arrow	57		2	5/16-18 x 5/8 Screw
6	744814	2	Plug Button	58	376090	1	Locking Plate
7	376596	1	Rear Door Panel	59		12	1/4-20 x 1/2 Hex Head Screw
8		5	10-24 x 3/8 HP-5 Oval Hd Screw	60	360147	2	Hinge Pin
9	449340	5	Finishing Washer	61	440450	2	Swivel Caster
10	016948	1	Decal, Wiring Diagram	62		8	1/4 Lock Washer
11	016324	1	Decal, Charger Plug	63		8	1/4-20 x 3/4 Hex Head Screw
12	376781	1	Chassis	64	401788	2	Snap-On Cap
13	376424	1	Bumper	65	401783	2	Tank Leveler
14		14	#10-24 x 3/4 Pan Head Screw	66		2	5/16-18 Hex Nut
15	376426	1	Bumper Strap	67	365548	2	Lock Assembly
16	376052	2	Hinge	68	201405	2	Knob
17	471220	2	Bushing	69	201472	2	Pin
18		2	1/4 Flat Washer	70	201413	2	Hex Nut
19		2	1/4-20 x 1-1/2 Hex Head Screw	71	201383	2	Socket
20	016116	1	Decal, Caution	72	201448	2	Compression Spring
21	376594	1	Left Inside Panel	73	201391	2	Pin
22	376592	1	Right Inside Panel	74	376964	1	Aux. Skirt Assembly Right
23	385238	1	Hood Cylinder	75	376962	1	Aux. Skirt Assembly Left
24	025339	1	Decal, Tank	76	372929	10	Screw
25	016185	1	Decal, Low Sudsing	77	376954	2	Strap
26	376428	1	Clamp	78	376956	2	Blade
27		2	#10-24 x 3/8 Pan Head Screw	79	376960	1	Backing Plate Right
28		2	1/4-20 Hex Nut	80	376958	1	Backing Plate Left
29	386312	2	Hood Stop				
30	379170	6	Compression Spring				
31	379197	1	Left Centering Mount				
32	379192	1	Right Centering Mount				
33	376008	1	Cover				
34	376496	2	Gasket				
35	376006	1	Cover				
36		8	#10 Brass Washer				
37		4	#10-24 x 3/8 Brass Screw				
38	325148	1	Gasket				
39	329145	1	Hose Clamp				
40	376422	1	Vacuum Hose				
41	385198	1	Float				
42	376010	1	Deflector				
43		4	#10-24 x 5/8 Brass Screw				
44	376714	1	Skirt Assembly Right				
45	376710	1	Skirt Assembly Left				
46	376544	2	Stud Cap				
47	376542	2	Rod				
48	111503	4	Oilite Bearing				
49	376540	2	Roller				
50	468834	2	Retaining Ring				
51	376712	1	Skirt Frame Right				
52	376708	1	Skirt Frame Left				

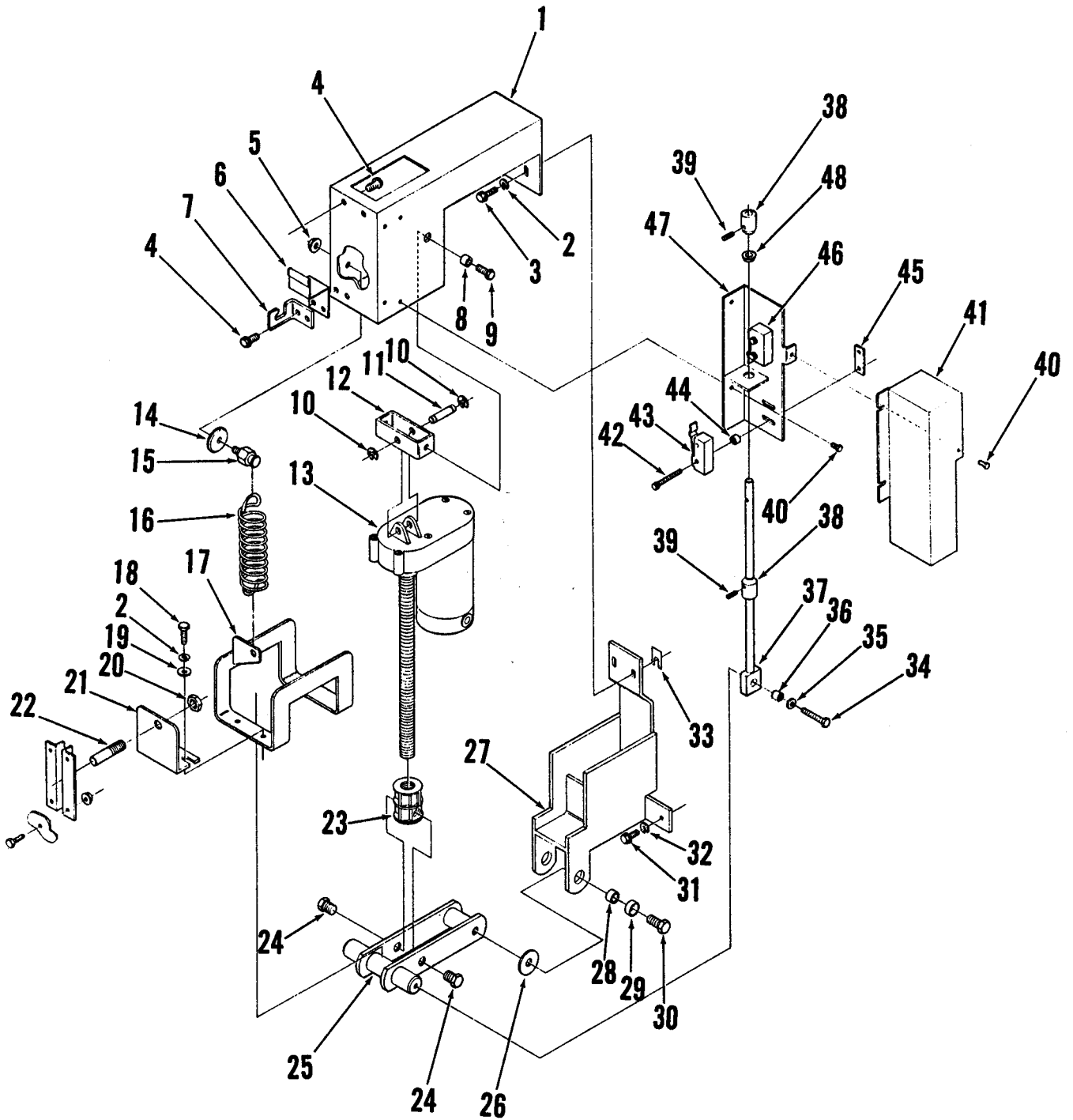


BRUSH DRIVE ASSEMBLY

Item	Part No.	Qty	Description	Item	Part No.	Qty	Description
1	386988	4	Stand-Off	28		6	1/4-20 x 3/16 Set Screw
2	760212	4	Grommet	29	171123	2	Spring
3	386691	2	Cover	30	016974	2	Decal, Brush Lock
4	180032	2	Filter	31	377230	2	Handle
5	180008	2	Bracket	32		6	7/16 Flat Washer
6	206058	2	Motor Gasket	33	377253	6	Spring
7		6	10-24 x 1/2 Pan Head Screw	34	377244	6	Spacer
8		6	10-24 x 1-1/2 Flat Head Screw	35		6	10-24 x 3/8 Hex Head Screw
9	207489	6	Bushing	36	151114	2	Washer
10	376025	2	Motor TSB 515 - F12	37	366463	2	Spring Retainer
*	386813	1	Motor Brush/Set of 4	38	366455	2	Stop Plate
*	184146	4	Motor Brush Springs	39	364082	2	Brush Holder
11	370010	2	Square Key	40	180200	2	Washer
12	367192	5	Washer	41		2	5/16 Lock Washer
13	376776	1	Pipe, Right	42	180196	2	Screw
14		2	10-24 x 3/8 Hex Head Screw	43	376866	1	Brush Drive Assembly
15	376444	2	Tube	**	505770	2	Pad Holder
16	756364	2	Hose Clamp	**	505771	2	Magna-Grit 46 Brush
17	376772	1	Pipe, Left	**	505772	2	Dyna-Grit 80 Brush
18	376718	1	Brush Motor Mount	**	505773	2	Aglite-Grit 500 Brush
19		4	1/2-13 x 1-3/4 Hex Head Bolt	**	505774	2	Prolene Brush
20	376844	4	Lift Arm	**	505775	2	Prolite Brush
21	367168	4	Sleeve Bearing	**	505776	2	Union Mix Brush
22	367206	4	Bushing	**	505777	2	MidGrit 240 Brush
23		4	1/2 Flat Washer	**	505778	2	MidLite 180 Brush
24		4	1/2 Lock Washer				
25		4	1/2-13 Lock Nut				
26	376111	2	Handle Lock				
27	152811	2	Collar				

* = Not Shown

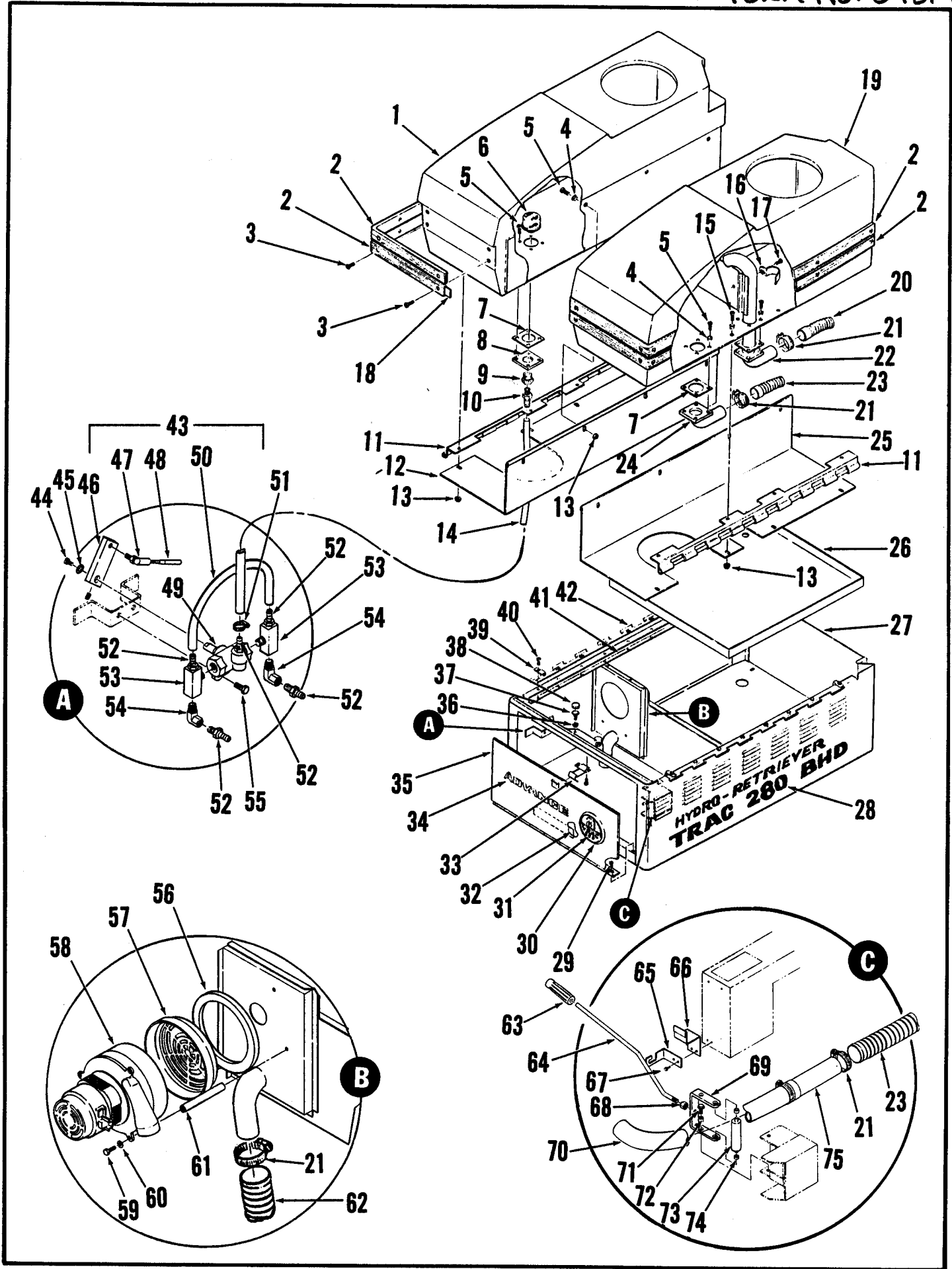
** = Optional, Not Included



BRUSH LIFT ASSEMBLY

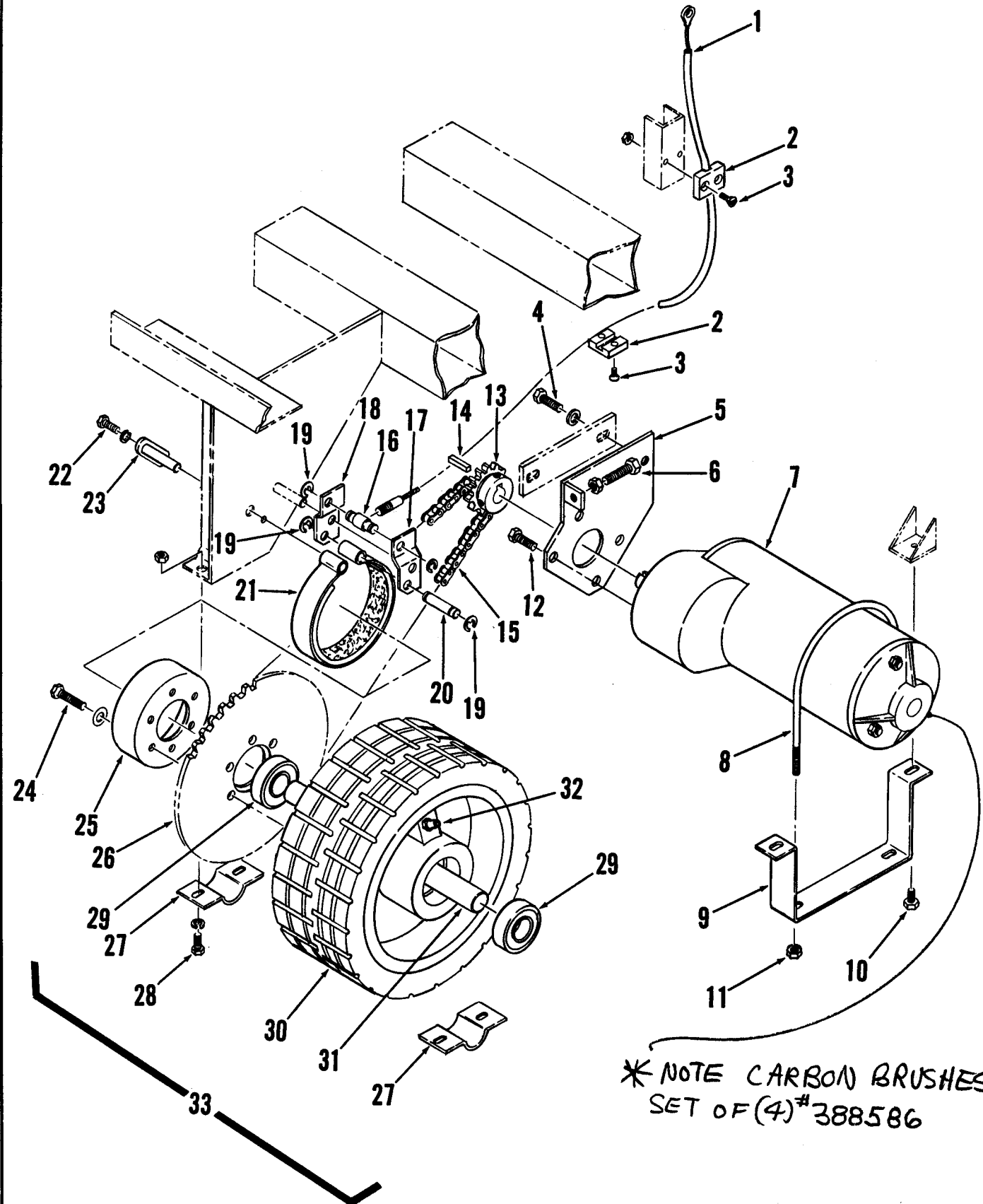
Item	Part No.	Qty	Description	Item	Part No.	Qty	Description
1	376830	1	Motor Mount	25	376836	1	Center Arm
2		6	5/16 Lock Washer	26	367192	2	Washer
3		2	5/16-18 x 1/2 Hex Hd Screw	27	376770	1	Upright Bracket
4		4	1/4-20 x 3/8 Hex Hd Screw	28	360627	2	Bushing
5		1	5/16-18 Whiz Nut	29	370878	2	Sleeve Bearing
6	376952	1	Hose Clamp	30		2	1/2-13 x 1-1/4 Hex Hd Bolt
7	376816	1	Valve Lever Latch	31		2	3/8-16 x 1/2 Flange Hd Screw
8	206784	2	Bushing	32		2	3/8 Lock Washer
9		2	1/4-20 x 1/2 Hex Hd Screw	33	390925	A/R	Shim
10	321427	2	Retaining Ring	34		1	1/4-20 x 1 Hex Hd Screw
11	388672	1	Pin	35		1	1/4 Flat Washer
12	376366	1	Flat	36	475411	1	Bushing
13	388518	1	Gear Motor TSB 540 - F7	37	376922	1	Push Rod
*	388517	1	Carbon Brush Kit (for 388518)	38	388036	2	Collar
*	470431	1	Carbon Brush Kit (for 391627)	39		2	10-24 x 1/4 Set Screw
14	367117	1	Washer	40		5	10-24 x 3/8 Hex Hd Screw
15	376850	1	Stud	41	376834	1	Switch Cover
16	376880	1	Spring	42		4	6-32 x 1-1/4 Washer Hd Screw
17	376740	1	Lift Bracket	43	388019	1	Switch
18		4	5/16-18 x 7/8 Hex Hd Screw	44	376924	4	Spacer
19		4	5/16 Flat Washer	45	385747	2	Nut Plate
20		1	1/2-13 Hex Jam Nut	46	388532	1	Switch
21	376874	1	Mount	47	376928	1	Switch Bracket
22	376868	1	Alignment Pin	48	491646	1	Flanged Bearing
23	388520	1	Drive Nut				
24	376852	2	Screw				

* = not shown



BATTERY HOUSING AND TANK ASSEMBLIES

Item	Part No.	Qty	Description	Item	Part No.	Qty	Description
1	376586	1	Solution Tank	53	372506	2	Tee
2	376498	4	Bumper, Black	54	369632	2	Elbow
3		28	#10-32 x 3/8 Pan Head Screw	55		2	1/4-20 x 1/2 Hex Head Screw
4	204218	24	Washer	56	385437	1	Gasket
5		16	1/4-20 x 1/2 Brass Screw	57	384898	1	Filter TSB 385 - G10
6	379125	1	Strainer	58	377470	1	Vacuum Motor
7	380763	3	Gasket	*		1	Motor Brush (set of 2)
8	379202	1	Plate	59		3	1/4-20 x 3/4 Hex Head Screw
9	751686	1	Bushing	60		3	1/4 Lock Washer
10	249926	1	Barb	61	377475	3	Stand-Off TSB 385 - G10
11	376490	2	Hinge Assembly	62	376422	1	Hose Assembly
12	376588	1	Tank Support	63	471193	1	Handle Grip
13		24	1/4-20 Whiz Nut	64	376846	1	Valve Handle
14	376444	1	Tube	65	376816	1	Handle Catch
15		8	1/4-20 x 5/8 Brass Screw	66	376952	1	Drain Hose Clamp
16	376493	1	Clamp	67		2	1/4-20 x 1/2 HP-5 Screw
17	209486	1	Screw	68		1	5/16-18 Hex Nut
18	376499	4	Bumper Strap	69	372652	1	Pivot Lever
19	376584	1	Recovery Tank	70	380712	1	Drain Tube
20	376434	1	Hose	71		2	1/4-20 x 1/2 Hex Head Screw
21	329145	5	Hose Clamp	72	368989	2	Bushing
22	376034	1	Recovery Tube	73	372650	1	Roller
23	372222	1	Drain Hose	74	372624	2	Bearing
24	376068	1	Tube	75	204536	1	Hose Coupler
25	376590	1	Tank Support				
26	395136	1	Battery Tray	* = not shown			
27	376782	1	Battery Case				
28	016962	2	Decal, Hydro-Retriever				
29		5	1/4-20 x 3/8 Hex Head Screw				
30	016398	1	Emblem				
31	019950	1	Decal, Trac 280 BHD				
32	025363	1	Decal, Caution				
33	372700	1	Door Latch				
34	030008	1	Decal, Advance				
35	376322	1	Door				
36		2	5/16-18 Hex Nut				
37	401783	2	Tank Leveler				
38	401788	2	Snap-On Cap				
39	381053	4	Hinge Clip				
40		16	#10-24 x 1/2 Hex Head Screw				
41	385414	4	Nut Plate				
42	381070	2	Hinge				
43	376640	1	Valve Assembly				
44		1	#8-32 x 1/4 Pan Head Screw				
45		1	#8 Shakeproof Washer				
46	376028	1	Arm				
47	488290	1	Ball Joint				
48	377002	1	Cable				
49	368881	1	Valve				
50	379108	1	Tube				
51	756364	1	Hose Clamp				
52	155640	1	Barb				

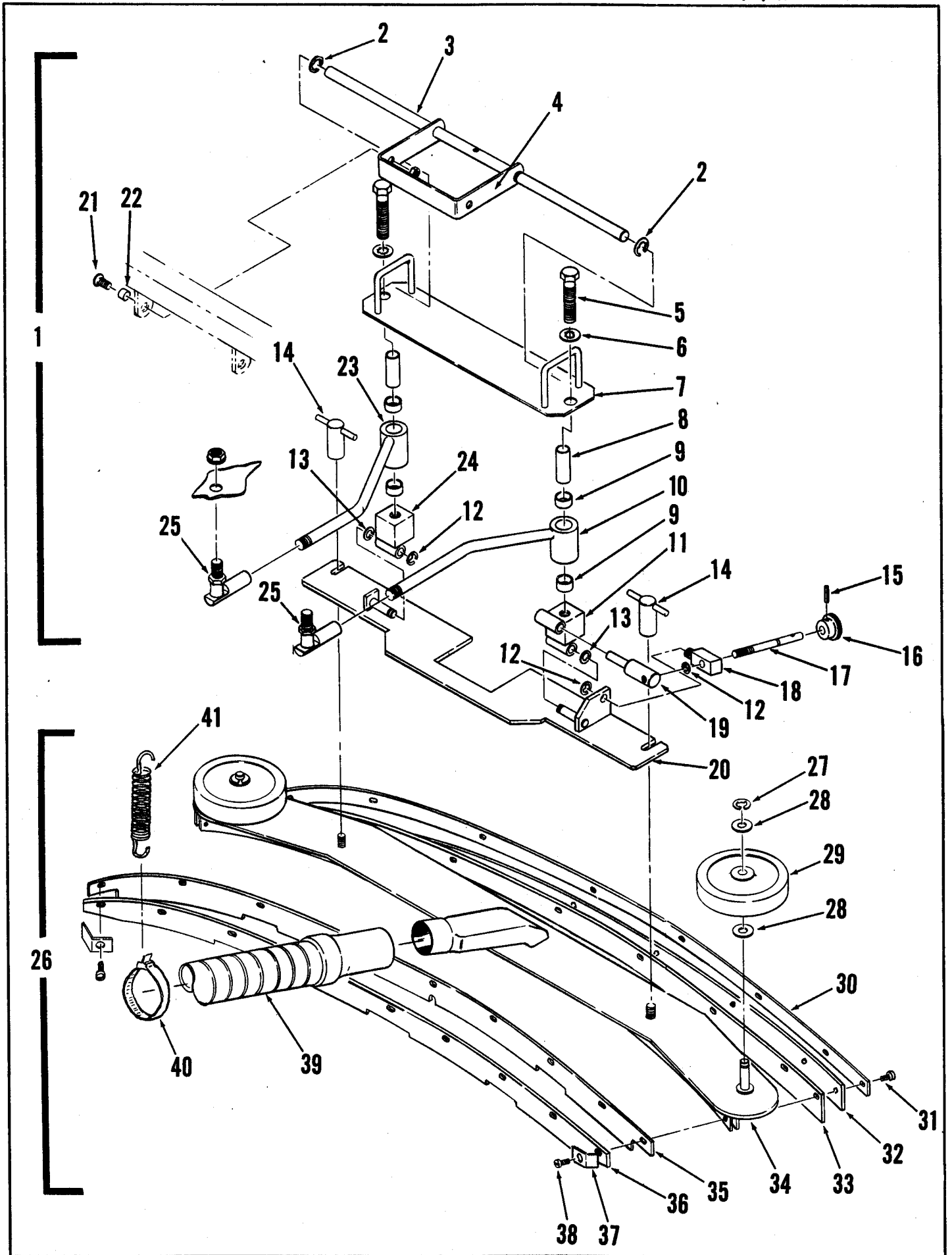


*NOTE CARBON BRUSHES
SET OF (4) #388586

TRACTION DRIVE & BRAKE ASSEMBLIES

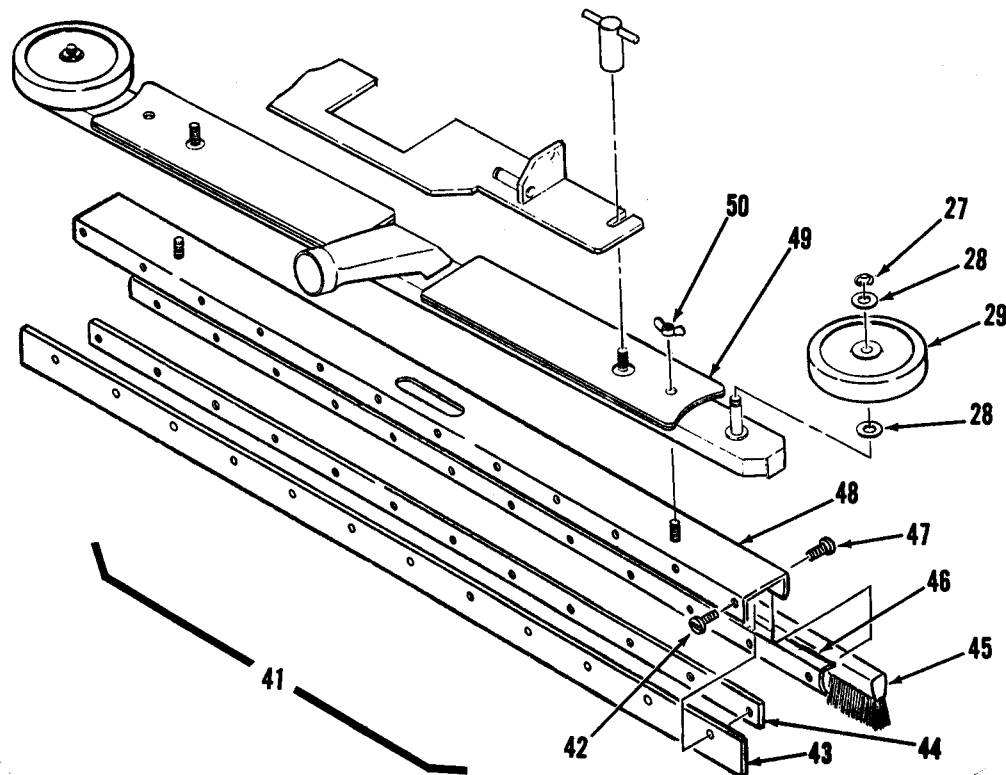
Item	Part No.	Qty	Description
1	376386	1	Brake Cable Assembly
2	477884	2	Cable Clamp
3		4	1/4-20 x 7/8 Flat Head Screw
4		2	3/8-20 x 1 Hex Head Screw
5	376352	1	Bracket
6		1	5/16-18 x 2 Hex Head Screw
7	388585	1	Drive Assembly TSB 424 - G8, TSB 506 - F14
*	388586	1	Carbon Brush (set of 4)
8	388686	1	Motor Clamp
9	376330	1	Hangar Clamp
10		2	1/4-20 x 3/8 HP-5 Hex Head Screw
11		2	5/16-18 Whiz Nut
12		4	3/8-16 x 3/4 Hex Head Screw
13	471148	1	Sprocket
14	740168	1	Square Key
15	377370	1	Roller Chain
16	388674	1	Brake Lever Pin
17	388676	1	Left Brake Lever
18	388678	1	Right Brake Lever
19	321427	4	Retaining Ring
20	388672	1	Grooved Pin
21	402745	1	Brake Strap Assembly
22		2	5/16-18 x 1/2 Hex Head Screw
23	388666	2	Grooved Pin Bracket
24		6	5/16-18 x 1-1/4 Hex Head Screw
25	388702	1	Brake Drum
26	388700	1	Sprocket
27	388937	2	Clamp
28		4	1/4-20 x 1 Hex Head Screw
29	378380	2	Ball Bearing
30	376628	1	Wheel
31	388698	1	Axle
32	344362	1	Grease Fitting

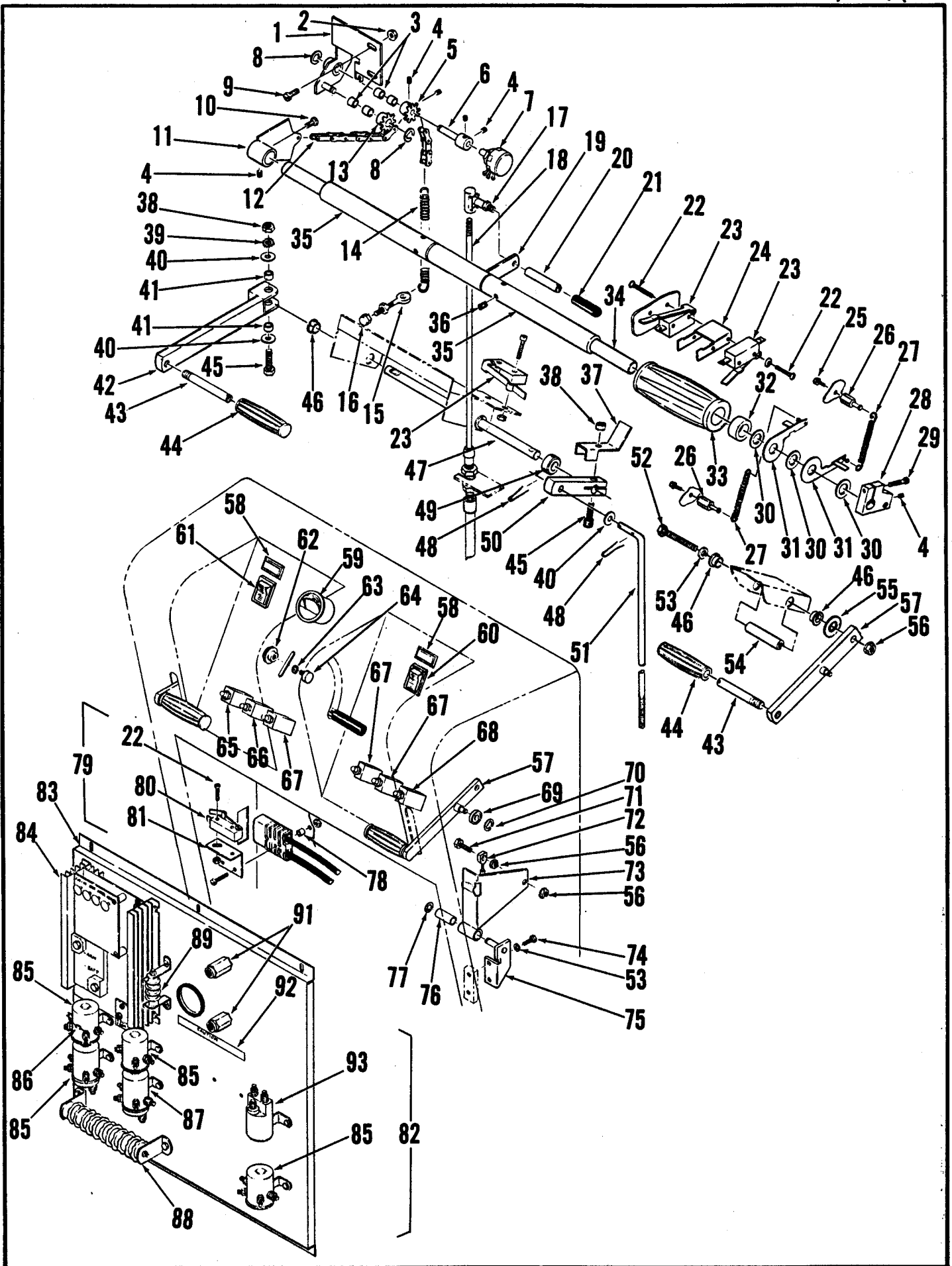
* = not shown



SQUEEGEE ASSEMBLY

Item	Part No.	Qty	Description	Item	Part No.	Qty	Description
1	376390	1	Squeegee Lift Assembly	27	157066	2	Retaining Ring
2	468834	2	Retaining Ring	28	371009	4	Washer
3	376273	1	Rod	29	228102	2	Wheel
4	376274	1	Lever	30	376564	1	Outer Strap
5		2	1/2-13 x 2 1/2 Hex Head Screw	31	209491	9	Screw
6		2	1/2 Shakeproof Washer	32	376566	1	Gum Rubber Blade **
7	376281	1	Bracket	33	376552	1	Squeegee Bracket
8	377752	2	Bushing	34	376570	1	Neoprene Blade **
9	453655	4	Sleeve Bearing	35	376568	1	Plastic Strap **
10	376270	1	Left Arm	36	376632	2	Tab
11	376311	1	Left Pivot Cube TSB 396 - G9	37	209485	9	Screw
12	321427	4	Retaining Ring TSB 396 - G9	38	358560	1	Extension Spring
13	371009	6	Washer TSB 396 - G9	39	376434	1	Squeegee Hose
14	370711	2	Wing Nut TSB 396 - G9	40	478246	1	Wire Tie
15		1	Groove Pin 1/8 x 1 TSB 396 - G9	41	376380	1	Dry Pick-Up Assembly
16	217972	1	Knob TSB 396 - G9	42		12	#8-32 x 3/8 Pan Head Screw
17	376297	1	Adjusting Rod TSB 396 - G9	43	376375	1	Blade
18	376314	1	Adjusting Block TSB 396 - G9	44	376377	1	Strap
19	376315	1	Adjusting Pin TSB 396 - G9	45	376376	1	Brush Strip
20	376300	1	Squeegee Mount TSB 396 - G9	46	376374	1	Plate
21		2	1/4-20 x 7/8 Phil Head Screw	47		12	#8-32 x 1/2 Pan Head Screw
22	368989	2	Bushing	48	376373	1	Channel
23	376269	1	Right Arm	49	376282	1	Squeegee Bracket (Dry use only)
24	376308	1	Right Pivot Cube	50		2	1/4-20 Wing Nut
25	477772	2	Ball Joint	**	376548	1	Squeegee Blade Kit
26	376550	1	Squeegee Assembly				





CONTROLS AND HANDLE ASSEMBLY

Item	Part No.	Qty	Description	Item	Part No.	Qty	Description
1	377787	1	Potentiometer Bracket	51	377780	1	Squeegee Lift Rod
2		1	1/4-20 Whiz Nut	52		1	1/4-20 x 2-1/4 Hex Head Screw
3	372624	4	Sleeve Bearing	53		3	1/4 Lock Washer
4		8	10-24 x 3/16 Set Screw	54	376468	1	Pin
5	377797	1	Sprocket	55		1	1/2 Flat Washer
6	377791	1	Pin	56		1	1/4-20 Whiz Nut
7	454740	1	Potentiometer	57	376680	1	Lever
8	321125	3	Retaining Ring	58	467410	2	Indicator Light
9		2	1/4-20 x 5/8 Pan Head Screw	59	448677	1	Battery Condition Meter
10		1	10-24 x 3/4 Pan Head Screw	60	377003	1	Rocker Switch
11	377784	1	Actuator Lever	61	376348	1	Rocker Switch
12	377793	1	Roller Chain	62	387670	1	Knob
13	377796	1	Sprocket	63	200190	1	Fiber Washer
14	358560	1	Spring	64	387668	1	Stud
15	388599	1	Eye Bolt	65	180275	1	Circuit Breaker, 15A
16		1	10-24 Acorn Nut	66	395454	1	Circuit Breaker, 20A
17	488290	2	Ball Joint	67	469788	3	Circuit Breaker, 25A
18	376320	1	Solution Control Cable	68	387328	1	Circuit Breaker, 5A
19	376060	1	Solution Control Lever	69	228051	1	Bearing
20	376066	1	Solution Control Handle	70	373797	1	Retaining Ring
21	376486	1	Grip	71		1	1/4-20 x 1 Hex Head Screw
22		8	6-32 x 1 Rd Head Screw	72	376386	1	Cable Assembly
23	388019	3	Switch	73	376696	1	Brake Lever
24	388576	1	Switch Bracket	74		2	1/4-20 x 1/2 Hex Head Screw
25		2	10-24 x 3/8 Hex Head Screw	75	376692	1	Pivot Bracket
26	377436	2	Pin	76	200972	1	Bushing
27	365769	2	Spring	77	321427	1	Retaining Ring
28	377438	1	Clamp	78	373040	2	Bushing
29		1	10-24 x 3/4 Soc Head Screw	79	376432	1	Charger Plug Assembly
30	151858	3	Thrust Washer	80	376433	1	Switch
31	388562	2	Switch Arm	81	389270	1	Switch Bracket
32	377434	1	Collar	82	376316	1	Electrical Panel Assembly
33	388543	2	Handle Grip	83	376318	1	Electrical Panel
34	388578	1	Handle Tube	84	388521	1	Speed Control TSB 472 - G6
35	388580	2	Tube	85	395452	3	Contacto
36		4	8-32 x 1/4 Set Screw	86	389265	6	Rectifier Assembly
37	376277	1	Switch Actuator	87	388534	2	Solenoid
38		2	1/4-20 Hex Nut	88	467470	1	Resistor
39		2	1/4 Shakeproof Washer	89	389302	1	Resistor Assembly
40		4	1/4 Flat Washer	90	344621	1	Grommet
41	151106	2	Bushing	91	469858	2	Insulated Stand-Off
42	377770	1	Lever	92	025363	1	Decal, Caution
43	376254	2	Pin				
44	471193	2	Grip				
45		2	1/4-20 x 1-1/2 Soc Head Screw				
46	376248	4	Nylon Bearing				
47	376275	1	Rod				
48		2	1/16 x 1 Cotter Pin				
49	232408	1	Collar				
50	377782	1	Lever				

377470 VACUUM MOTOR

Item	Part No.	Qty	Description
------	----------	-----	-------------

1	203591	1	Cooling Fan
2	377473	1	Carbon Brush (Set of 2)
3	228051	2	Ball Bearing
4	203461	1	Neoprene Washer
5	372584	1	Spacer
6	372586	1	Fan
7	372588	3	Rotating Fan
8	203516	2	Spacer
9	377485	1	Stationary Fan
10	377486	1	Stationary Fan
11	377487	1	Fan Shell

