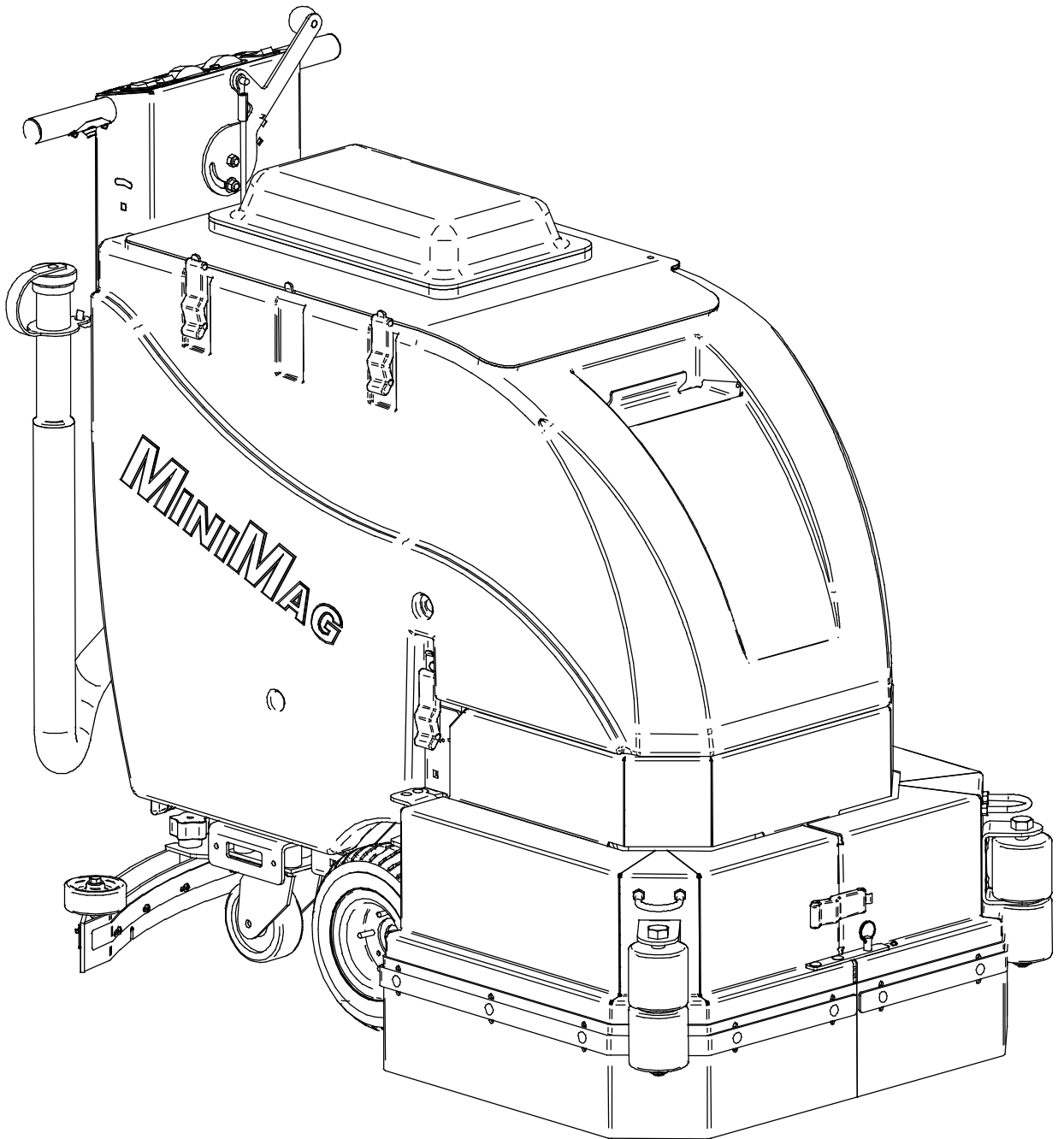


Version 3.7

PARTS MANUAL

MINI-MAG SERIES



R.P.S. Corporation
P.O. Box 241
Racine, Wisconsin 53401

Phone: 1-800-450-9824
Fax: 1-866-632-6961

| | |
|--|----|
| Soap Choices | 4 |
| Actuator Lift Assembly | 6 |
| Tank Assembly | 8 |
| Tank Assembly | 10 |
| Tank Baffle Assembly | 12 |
| Vac Motor Assembly | 13 |
| Frame Assembly-Traction Drive | 14 |
| Tall Frame Assembly - Traction Drive | 16 |
| Frame Assembly-Brush Drive..... | 18 |
| Frame Assembly-Brush Drive..... | 20 |
| Tank Lid Assembly | 22 |
| Squeegee Suspension | 24 |
| Control Panel-Brush Drive..... | 26 |
| Control Panel-Brush Drive..... | 28 |
| Control Panel-Traction Drive | 30 |
| Control Panel-Traction Drive | 32 |
| 32 Inch Squeegee Assembly | 34 |
| 35 Inch Squeegee Assembly | 36 |
| Shroud Assembly | 38 |
| 26 Inch Shroud Assembly | 39 |
| 28 Inch Shroud Assembly | 40 |
| Disk Deck-Brush Drive | 42 |
| Disk Deck-Traction Drive | 44 |
| 23 Inch Disk Deck-Brush Drive | 46 |
| 23 Inch Disk Deck-Traction Drive | 48 |
| 26 Inch Disk Deck-Traction Drive | 50 |
| 28 Inch Disk Deck-Traction Drive | 52 |
| 26 Inch Disk Jaws | 54 |
| Cylindrical Door Assembly..... | 56 |
| Cylindrical Deck Assembly | 58 |
| Vac Wand Kit | 66 |
| Electric Squeegee Lift | 67 |
| Battery Packs | 68 |
| SUDS System..... | 70 |
| Common wear parts | 72 |
| Suggest parts inventory..... | 73 |



Industrial • Commercial • Environmentally Safe

TRADITIONAL DRUMS / TOTES



DEMO / RENTAL QUARTS



WALL-MOUNTED SUPERCON



ONBOARD AUTO DISPENSING



Onboard Availability

FORMULAS

SUDS Approved



707 Citrus Green An environmentally cleaner that works! It is a solvent free degreaser that works on oil, carbon, even rubber marks. Incorporates the latest technology in "Green Cleaning".

SUDS Approved



733 Low pH Safe on most surfaces not harmed by water alone. Low scale formula to prevent alkali buildup in cleaning equipment, while offer detergent to emulsify oil.

SUDS Approved



755 High Power Ideal solvent fortified degreaser. This butyl based detergent is penetrating, fast acting, and deep cleaning with built-in corrosion inhibitors. It is our most effective degreaser.

SUDS Approved



757 Gloss A high gloss detergent designed to dry to a bright shine. It is ideal for use on finished surfaces, tile, epoxy, or enamel. The special formula removes salt residue, scuff marks and dirt, while leaving no residue behind. The result is a clean, non-slip surface, ready for immediate use.

SUDS Approved



797 HD The Heavy Duty concentrate is a Super alkaline detergent, formulated for heavy soil, grease, and thick buildup. Popular in machine shops, auto and truck repair, and other facilities with oil, hydraulic fluids and cutting oils.

***Below Sold in bulk concentrate only. Not available as a SuperCon, PowerDose or SUDS product.*

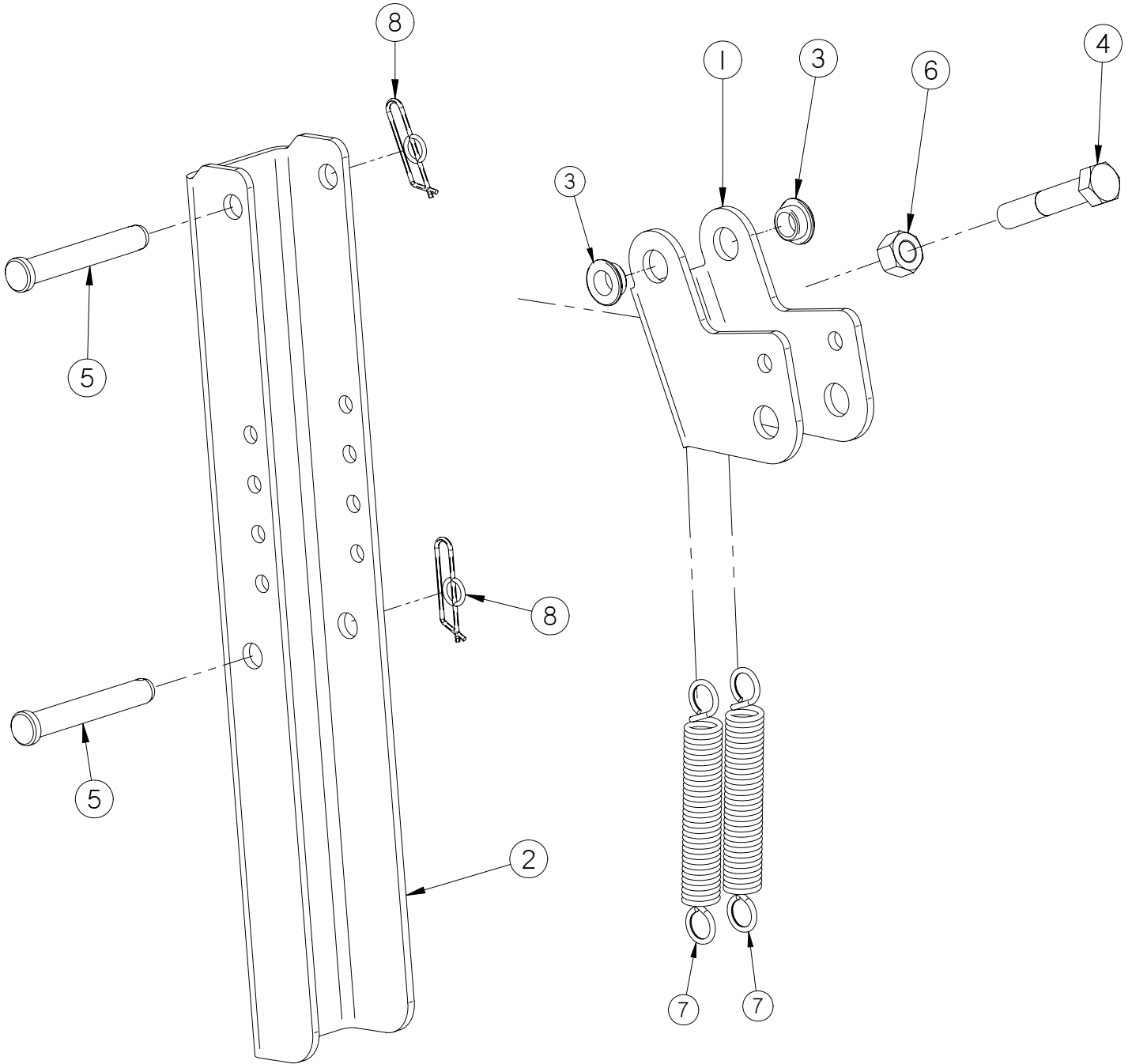
727 Pretreat** Designed to quickly remove tire marks, oil stains and buildup that has accumulated. This pretreat uses the powerful cleaning of natural citrus extract and is intended to be used directly on the floor at 100% concentrate.

744 Tough Stuff** Ideal for applications with Hard Water problems. It is safe to use in pressure washers and automatic scrubbers. The formulation enhances soil suspension, digests oil and grease, while supporting extra water conditioner.

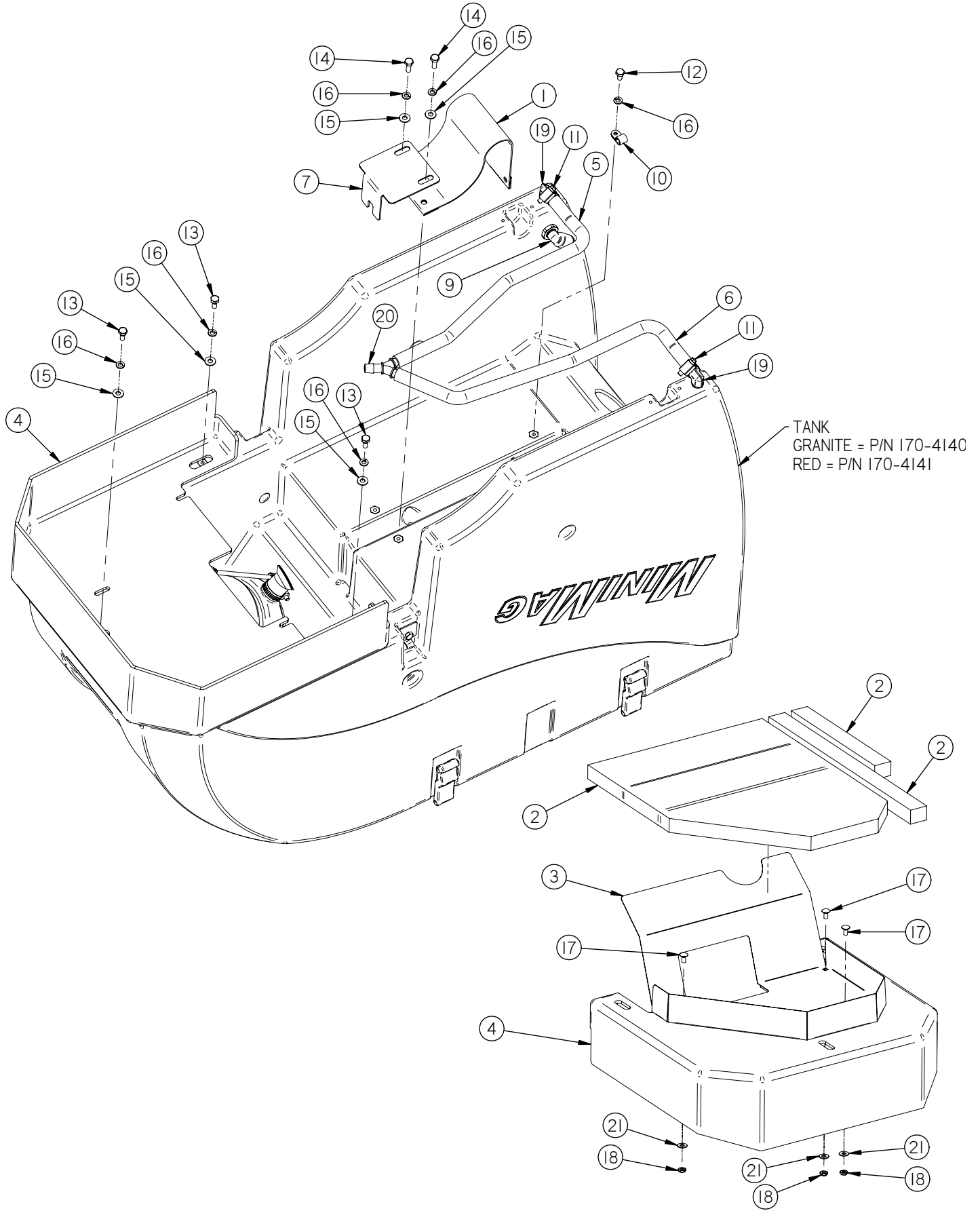
Distributed by:

**PowerCat
P.O. Box 503
Racine, WI 53404-0503
Phone: 414-745-9337
Fax: 262-632-1630
www.powercatsolutions.com**

PowerCat, LLC, 2008.

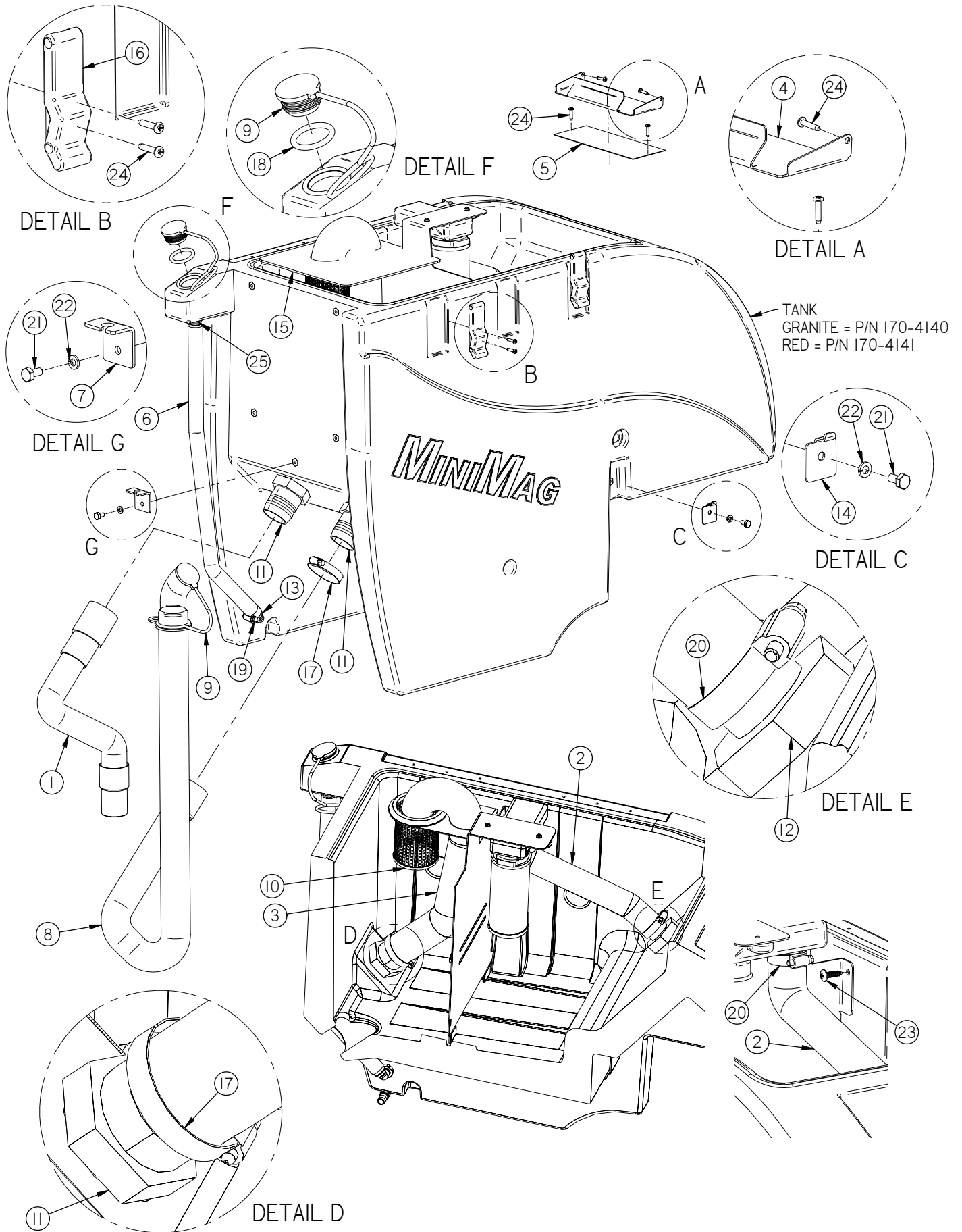


| Item | Part Number | Part Description | Qty |
|------|-------------|------------------------------------|-----|
| 1 | I90-I150 | ACTUATOR ARM | 1 |
| 2 | I90-I155 | ACTUATOR ANCHOR | 1 |
| 3 | 290-I233 | 3/8" ID, 1/2" OD, 1/4" LG BEARING | 2 |
| 4 | H-0172949 | HCS 3/8"- 24 X 2" SS | 1 |
| 5 | H-I5675 | CLEVIS PIN, 3/8" X 2-1/2" | 2 |
| 6 | H-70732 | HN 3/8"- 24 SS | 1 |
| 7 | H-96544 | SPRING, 4-1/8" LG X 9/16" OD (42E) | 2 |
| 8 | H-RUE14 | 3/8" RUE RING COTTER | 2 |

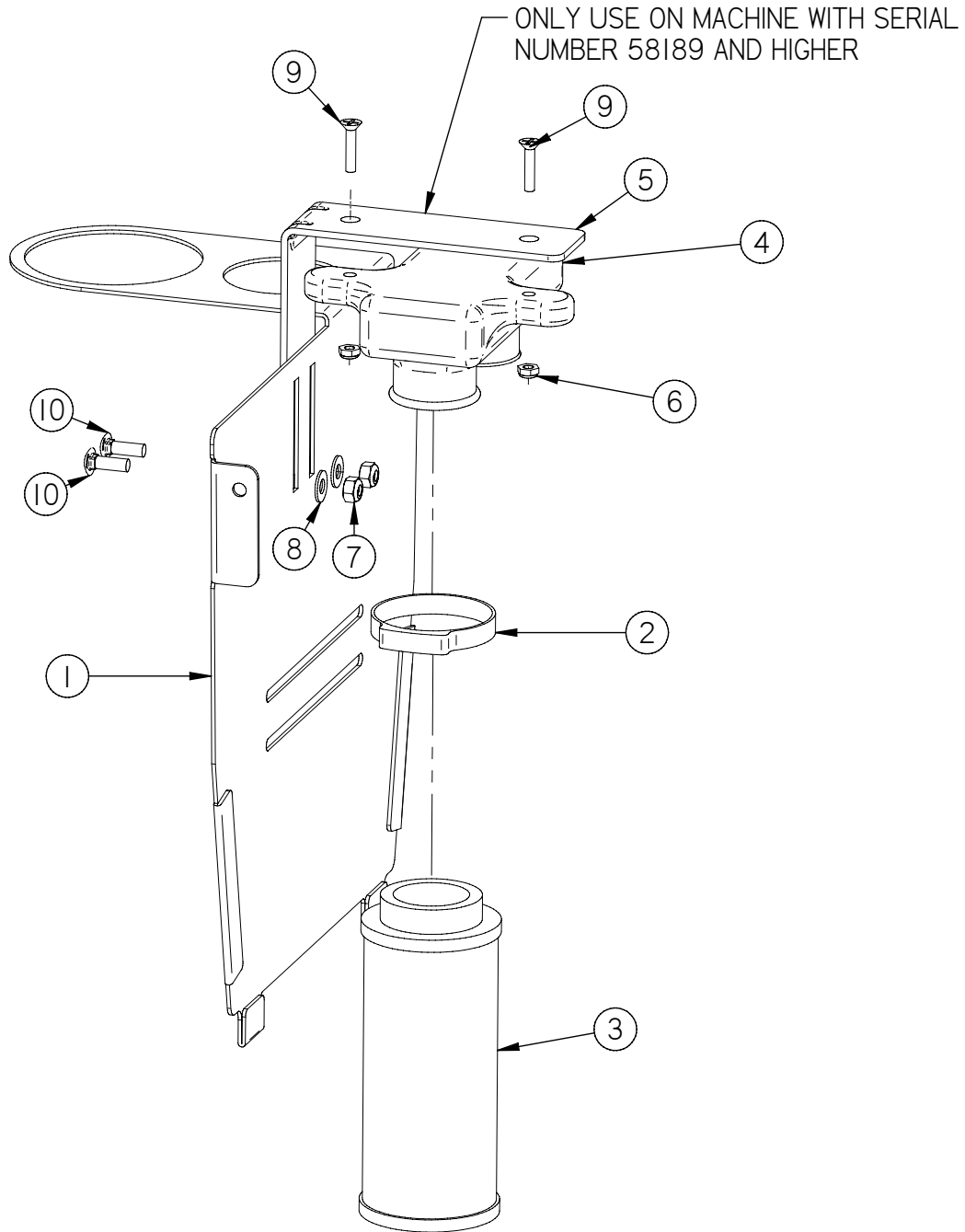


| Item | Part Number | Part Description | Qty |
|------|-------------|--|-----|
| 1 | 170-1045 | TANK STRAP, 35" LG X 4" WIDE | 1 |
| 2 | 170-1137 | VAC MOTOR INSULATION | 1 |
| 3 | 170-1139 | VAC MOTOR INSULATION SUPPORT | 1 |
| 4 | 170-1147 | BANDEAU COVER, PLASTIC | 1 |
| 5 | 170-1603 | 1/2" ID X 21" LG WIRE REINF. CLEAR TUBE | 1 |
| 6 | 170-1604 | 1/2" ID X 23" LG WIRE REINF. CLEAR TUBE | 1 |
| 7 | 170-4100 | WIRE PLATE | 1 |
| 8 | 170-4140 | SOLUTION/RECOVERY TANK - GRANITE | 1 |
| 9 | 190-5779 | ELBOW, MALE 1/2" NPT X 1/2" TUBE OD, GLASS FILLED NYLON | 1 |
| 10 | H-0127288 | #6 3/8" RUBBER LOOP CLAMP | 1 |
| 11 | H-081 | HOSE CLAMP, 5/8"- 1-1/2" S/S | 2 |
| 12 | H-70001 | HCS 1/4"-20 X 1/2 SS" | 1 |
| 13 | H-70002 | HCS 1/4"-20 X 5/8" SS | 3 |
| 14 | H-70003 | HCS 1/4"- 20 X 3/4" SS | 2 |
| 15 | H-71013 | FW 1/4" X 5/8" SS | 8 |
| 16 | H-71063 | LW 1/4" SS | 6 |
| 17 | H-74417 | CB 1/4"- 20 X .5" SS | 3 |
| 18 | H-NJ04C | JNYL 1/4" - 20 SS | 3 |
| 19 | M-53525K21 | ELBOW, 3/8" MNPT X 1/2" BARB, BRASS | 2 |
| 20 | M-5463K727 | WYE, 1/2", NYLON | 1 |

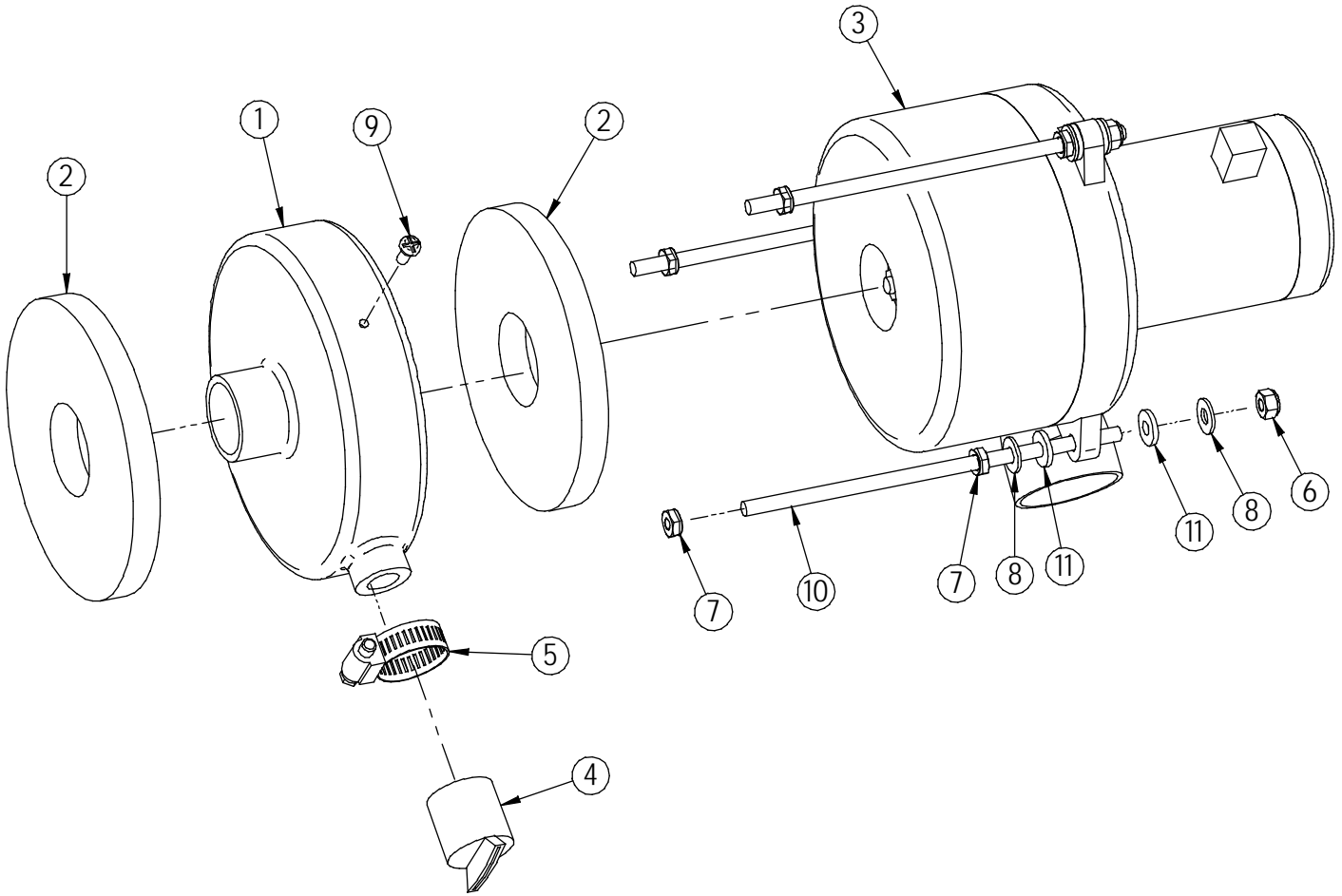
10 Tank Assembly



| Item | Part Number | Part Description | Qty |
|------|-------------|--|-----|
| 1 | 170-0111 | 1.50" ID X 35.50" LG MW255 BLACK MG HOSE W/1.50" ENLARGED CUFF ONE END ONLY | 1 |
| 2 | 170-0120 | BLACK HOSE, 1-1/2" ID X 15" LG WIRE REINF. | 1 |
| 3 | 170-0121 | GRAY HOSE, 2" ID X 22" LG WIRE REINF. | 1 |
| 4 | 170-1180 | SOLUTION FILL LID | 1 |
| 5 | 170-1220 | SCREEN | 1 |
| 6 | 170-1370 | SIGHT TUBE | 1 |
| 7 | 170-7110 | SQUEEGEE CABLE GUIDE | 1 |
| 8 | 170-7210 | DRAIN HOSE | 1 |
| 9 | 170-7211 | HOSE CAP | 2 |
| 10 | 170-8911 | SCREEN STRAINER, 4-1/4" LG | 1 |
| 11 | 190-1210 | 2.0" MNPT X 2.0" BARB, PVC | 3 |
| 12 | 190-1215 | 2.0" MNPT X 1.50" BARB, PVC | 1 |
| 13 | 190-5779 | ELBOW, MALE 1/2" NPT X 1/2" TUBE OD, GLASS FILLED NYLON | 1 |
| 14 | 253-1240 | CLIP | 2 |
| 15 | 370-1129 | TANK BACK SPLASH | 1 |
| 16 | 4-124 | LATCH | 2 |
| 17 | 5-719 | CLAMP 1 9/16 - 2 1/2 " SS | 2 |
| 18 | 5-8290 | O-RING, #324, 1.35" X 1.77" X .210" BUNA-N | 1 |
| 19 | 5-848 | CLAMP 9/16"- 1 1/16" SS | 1 |
| 20 | H-0427612 | CLAMP 3/4"- 1-3/4" SS | 2 |
| 21 | H-70001 | HCS 1/4"-20 X 1/2 SS" | 3 |
| 22 | H-71063 | LW 1/4" SS | 2 |
| 23 | H-71894 | #14 X 1" SELF TAPPING SCREW | 2 |
| 24 | H-72536 | PPH SMS #8 X 3/4" SS | 8 |
| 25 | M-5346K68 | 1/2" MNPT X 3/4" BARB, BRASS | 1 |

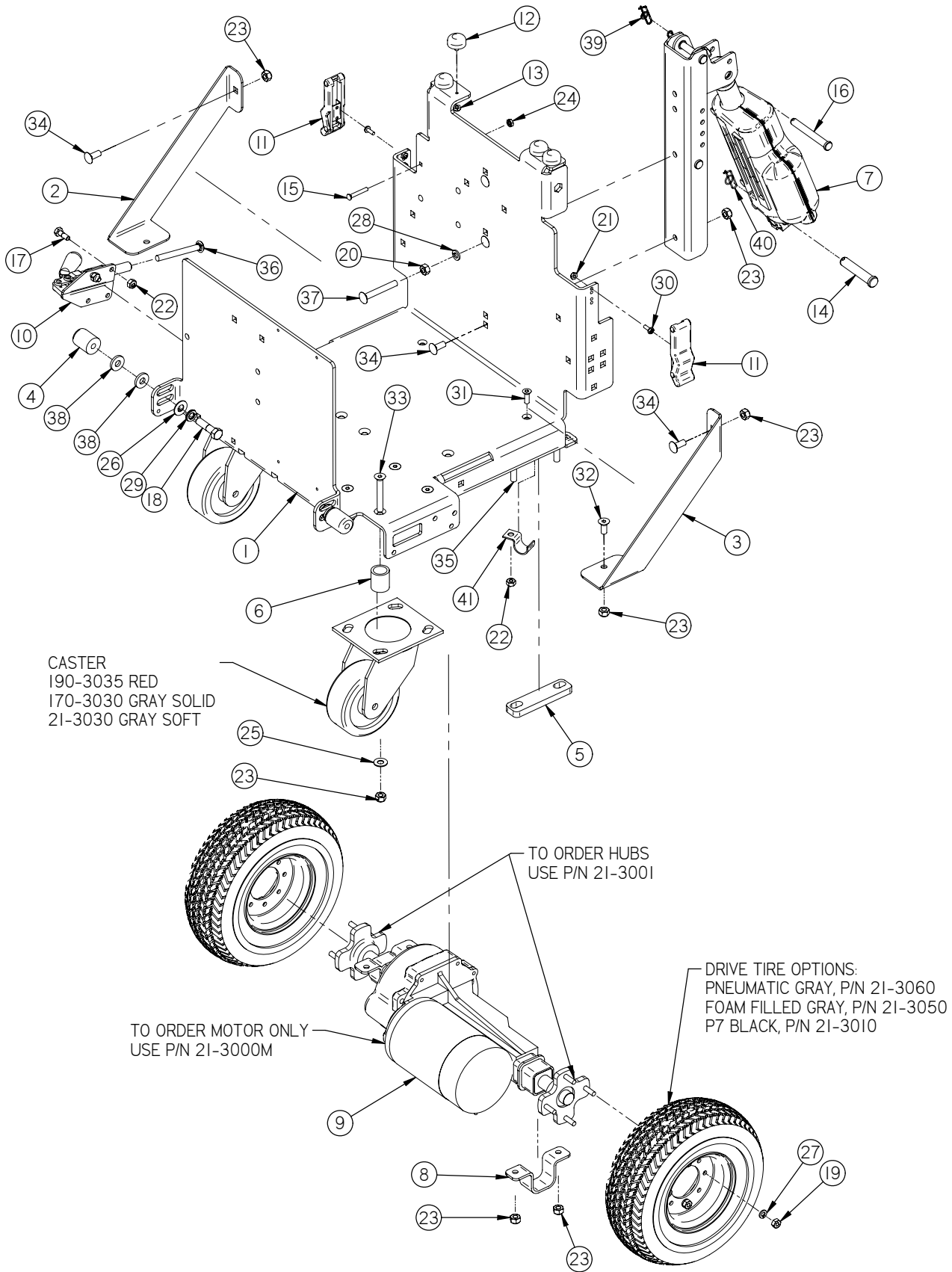


| Item | Part Number | Part Description | Qty |
|------|-------------|-----------------------|-----|
| 1 | 170-1130 | BAFFLE | 1 |
| 2 | 21-4028 | SNAP GRIP CLAMP | 1 |
| 3 | 21-4085 | VAC SCREEN | 1 |
| 4 | 21-7060 | VAC BOX | 1 |
| 5 | 370-1122 | BALL FLOAT HOLDER | 1 |
| 6 | H-70858 | NYLOK #10-32 SS | 2 |
| 7 | H-70860 | NYLOK 1/4"- 20 SS | 2 |
| 8 | H-71013 | FW 1/4 ID X 5/8 OD SS | 2 |
| 9 | H-72685 | FHP 10-32 X 1" SS | 2 |



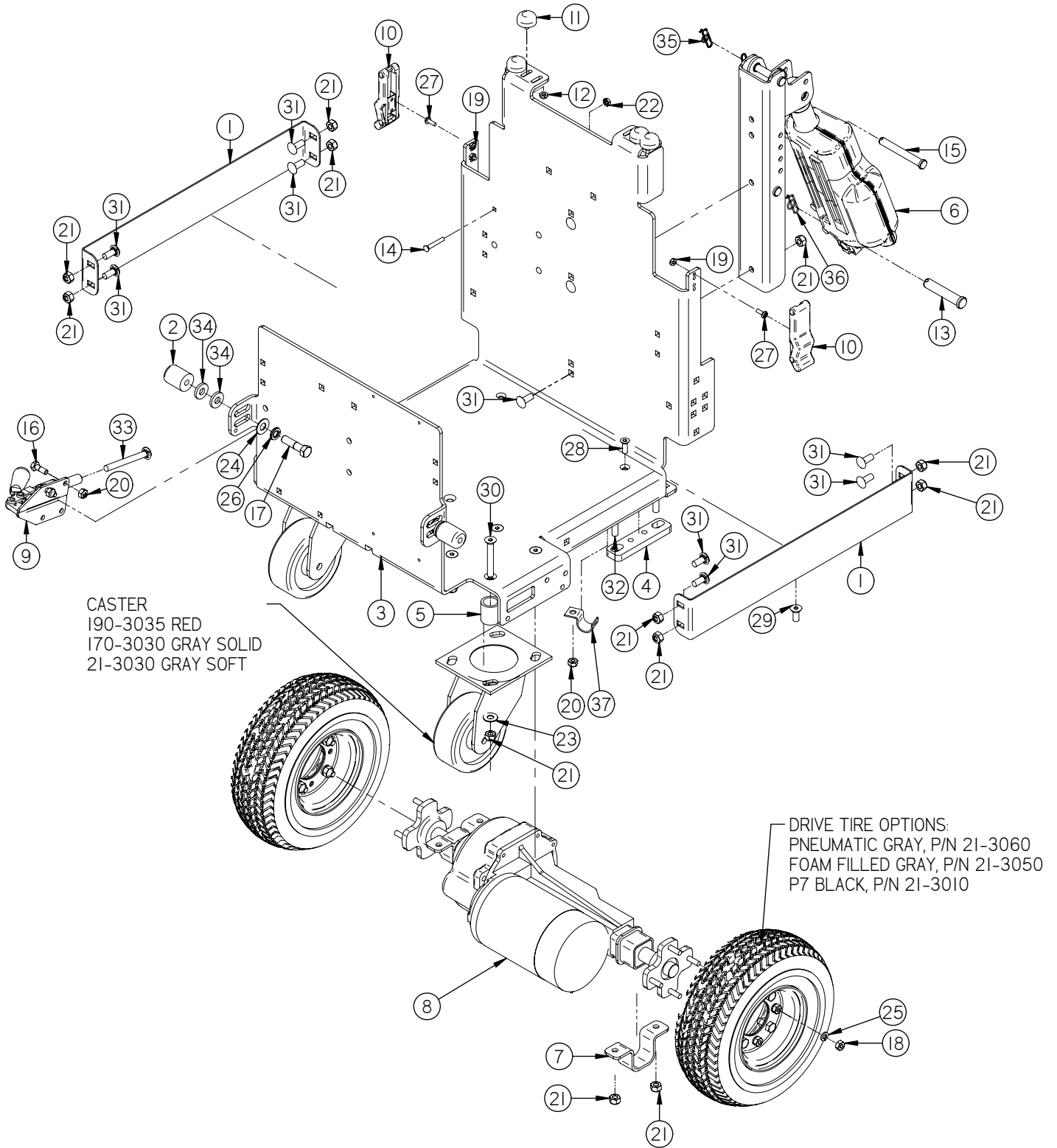
| Item | Part Number | Part Description | Optional | Qty |
|------|-------------|-------------------------------|----------|-----|
| 1 | 190-1450 | VAC BOX | | 1 |
| 2 | 190-3002 | VAC MOTOR GASKET | | 2 |
| 3 | 190-5250 | VAC MOTOR, 3/4 HP, TANGENTIAL | | 1 |
| 4 | 253-1505 | LOADER VALVE | | 1 |
| 5 | H-62005 | CLAMP 5/8"- 1-1/2" SS | | 1 |
| 6 | H-70860 | NYLOK 1/4"- 20 SS | | 3 |
| 7 | H-70925 | KN 1/4-20 S/S | | 6 |
| 8 | H-71013 | FNW 1/4" X 5/8" SS | | 6 |
| 9 | H-72515 | PPH #10-32 X 1/2" S/S | | 1 |
| 10 | H-W1579194 | 1/4-20 X 7" FT STUD S/S | | 3 |
| 11 | M-90130A029 | .25" NEOPRENE WASHER | | 6 |

14 Frame Assembly-Traction Drive



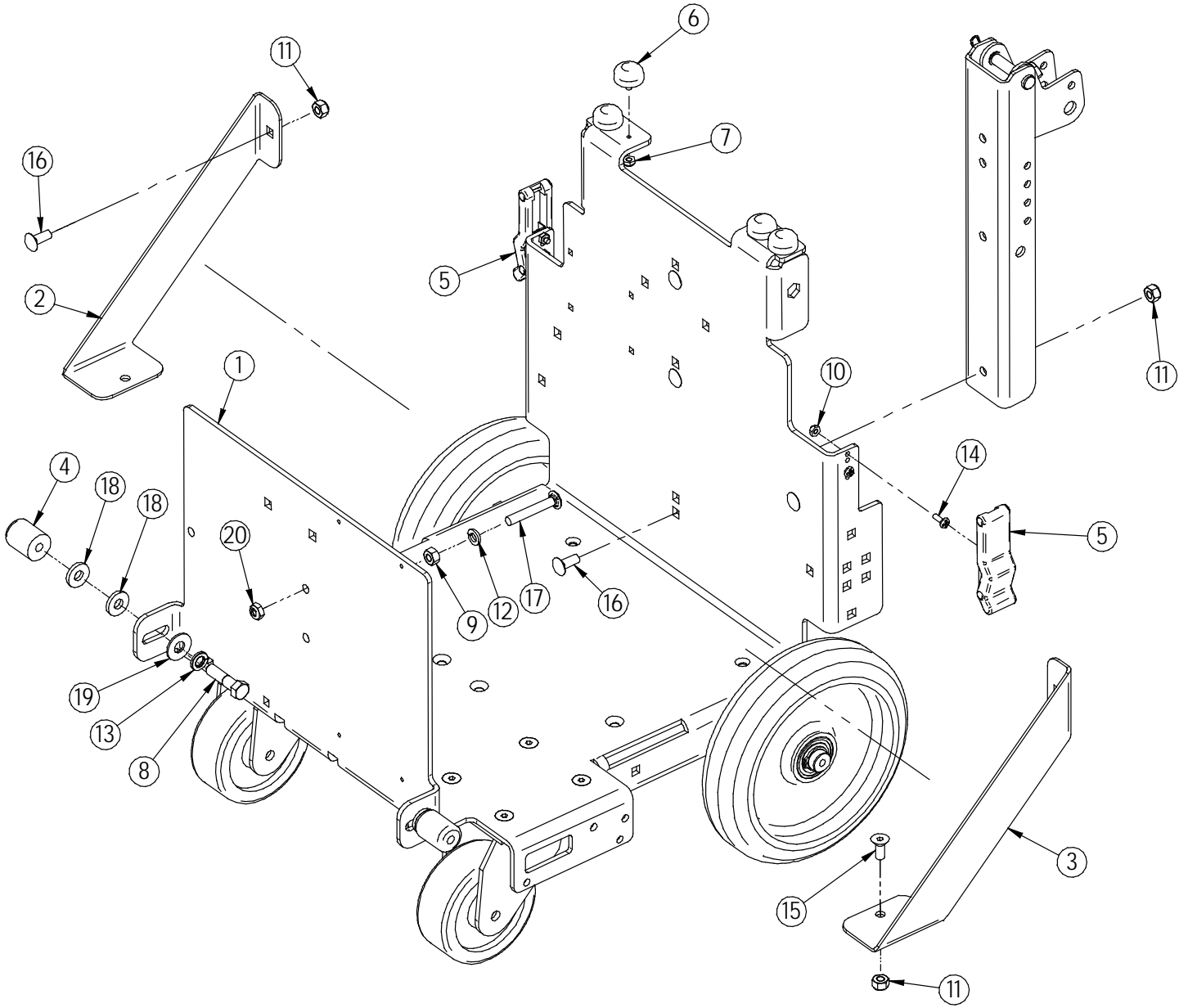
| Item | Part Number | Part Description | Qty |
|------|-------------|------------------------------------|-----|
| 1 | 170-1000 | MAINFRAME | 1 |
| 2 | 170-1005 | FRAME SUPPORT - LH | 1 |
| 3 | 170-1006 | FRAME SUPPORT - RH | 1 |
| 4 | 170-1060 | BOSS | 2 |
| 5 | 170-1270 | TRACTION SPACER | 2 |
| 6 | 170-1375 | SPACER | 8 |
| 7 | 190-2210 | 4" STROKE 24V ACTUATOR 450 LB LOAD | 1 |
| 8 | 21-1010 | AXLE MOUNT | 2 |
| 9 | 21-3009 | TRANSAXLE | 1 |
| 10 | 253-4000 | PARKING BRAKE (OPTIONAL) | 1 |
| 11 | 4-124 | LATCH | 2 |
| 12 | H-01201 | GROMMET | 4 |
| 13 | H-0129154 | JAM NYLOK #10-24 SS | 4 |
| 14 | H-0156773 | CLEVIS PIN, 1/2" X 2-1/2" | 1 |
| 15 | H-0172522 | CB #10-32 X 1-1/4" SS | 4 |
| 16 | H-03183 | CLEVIS PIN 3/8" x 3.00" | 1 |
| 17 | H-70003 | HCS 1/4"-20 X 5/8" SS | 2 |
| 18 | H-70109 | HCS 3/8"- 16 X 1-1/2" SS | 2 |
| 19 | H-70710 | HN 1/4"- 20 SS | 8 |
| 20 | H-70711 | HN 5/16"- 18 SS | 9 |
| 21 | H-70856 | NYLOK #8-32 SS | 4 |
| 22 | H-70860 | NYLOK 1/4"- 20 SS | 3 |
| 23 | H-70861 | NYLOK 5/16" - 18 SS | 19 |
| 24 | H-70923 | KN #10-32 SS | 4 |
| 25 | H-71015 | FW 5/16 ID X 3/4 OD SS | 8 |
| 26 | H-71017 | FW 3/8 ID X 7/8 OD SS | 2 |
| 27 | H-71063 | LW 1/4" SS | 8 |
| 28 | H-71065 | LW 5/16" SS | 9 |
| 29 | H-71067 | LW 3/8" SS | 2 |
| 30 | H-72398 | PPH #8-32 X 1/2" S/S | 4 |
| 31 | H-73882 | FHSCS 1/4- 20 X 3/4" S/S | 1 |
| 32 | H-73907 | FHSCS 5/16"- 18 X 3/4" SS | 2 |
| 33 | H-73913 | FHSCS 5/16"- 18 X 2-1/4" S/S | 8 |
| 34 | H-74429 | CB 5/16"- 18 X 3/4" SS | 5 |
| 35 | H-74431 | CB 5/16"- 18 X 1-1/4" SS | 4 |
| 36 | H-74435 | CB 5/16"- 18 X 3.0" SS | 1 |
| 37 | H-74463 | CB 5/16"- 18 X 2-1/4" SS | 1 |
| 38 | H-98025 | FW 3/8" GRADE 8 | 4 |
| 39 | H-RUE14 | 3/8" RUE RING COTTER | 1 |
| 40 | H-RUE22 | 1/2" RUE RING COTTER | 1 |
| 41 | M-9434T27 | 3/4" DIA I HOLE TUBE STRAP | 1 |

16 Tall Frame Assembly - Traction Drive



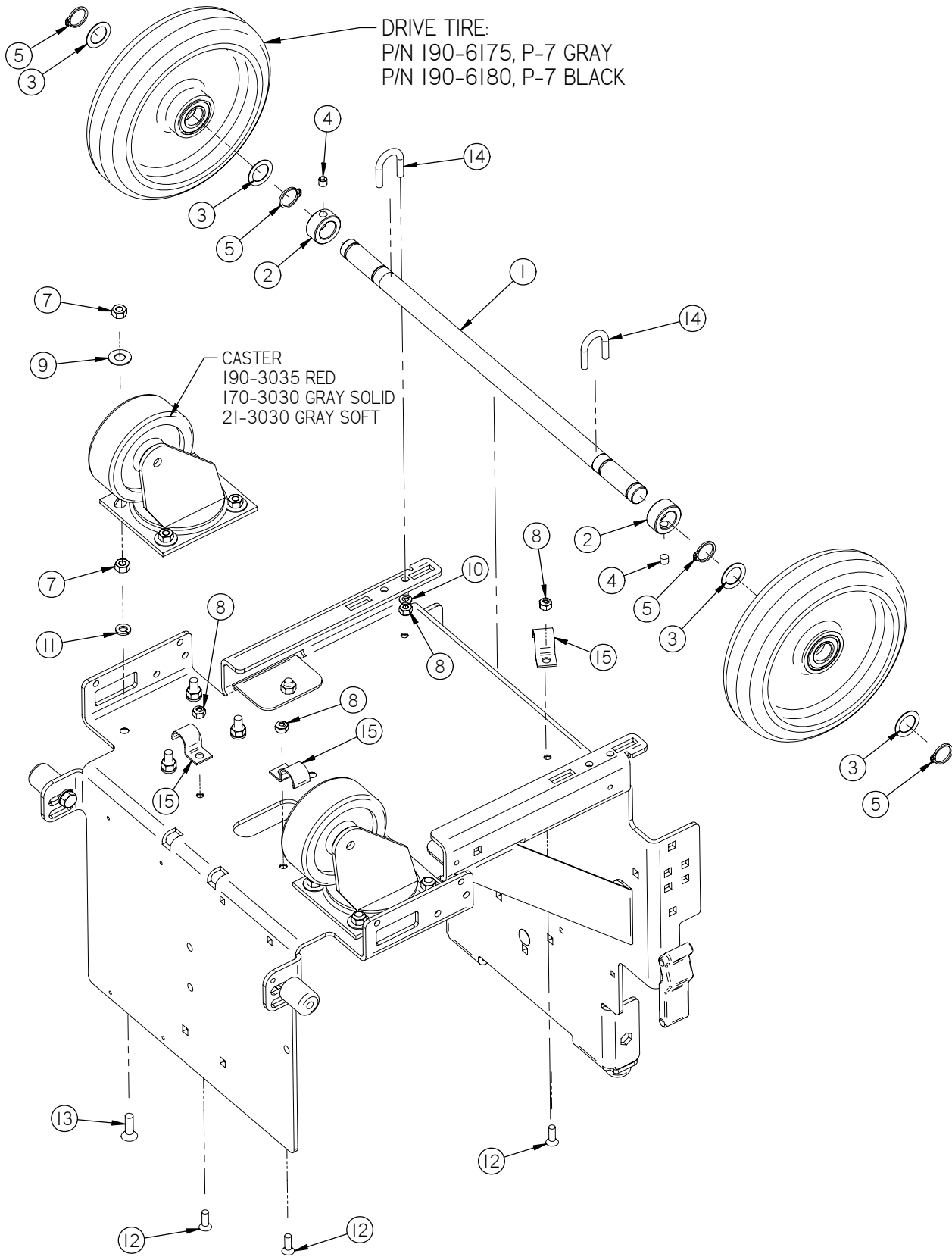
| Item | Part Number | Part Description | Qty |
|------|-------------|------------------------------------|-----|
| 1 | 170-1004 | FRAME SUPPORT | 2 |
| 2 | 170-1060 | BOSS | 2 |
| 3 | 170-1100 | TALL MINNI MAG MAIN FRAME | 1 |
| 4 | 170-1270 | TRACTION SPACER | 2 |
| 5 | 170-1375 | SPACER | 8 |
| 6 | 190-2210 | 4" STROKE 24V ACTUATOR 450 LB LOAD | 1 |
| 7 | 21-1010 | AXLE MOUNT | 2 |
| 8 | 21-3009 | TRANSAXLE | 1 |
| 9 | 253-4000 | PARKING BRAKE (OPTIONAL) | 1 |
| 10 | 4-124 | LATCH | 2 |
| 11 | H-01201 | GROMMET | 4 |
| 12 | H-0129154 | JAM NYLOK #10-24 SS | 4 |
| 13 | H-0156773 | CLEVIS PIN, 1/2" X 2-1/2" | 1 |
| 14 | H-0172522 | CB #10-32 X 1-1/4" SS | 4 |
| 15 | H-03183 | CLEVIS PIN 3/8" x 3.00" | 1 |
| 16 | H-70003 | HCS 1/4"-20 X 3/4" SS | 2 |
| 17 | H-70109 | HCS 3/8"- 16 X 1-1/2" SS | 2 |
| 18 | H-70710 | HN 1/4"- 20 SS | 8 |
| 19 | H-70856 | NYLOK #8-32 SS | 4 |
| 20 | H-70860 | NYLOK 1/4"- 20 SS | 3 |
| 21 | H-70861 | NYLOK 5/16" - 18 SS | 23 |
| 22 | H-70923 | KN #10-32 SS | 4 |
| 23 | H-71015 | FW 5/16 ID X 3/4 OD SS | 8 |
| 24 | H-71017 | FW 3/8 ID X 7/8 OD SS | 2 |
| 25 | H-71063 | LW 1/4" SS | 8 |
| 26 | H-71067 | LW 3/8" SS | 2 |
| 27 | H-72398 | PPH #8-32 X 1/2" S/S | 4 |
| 28 | H-73882 | FHSCS 1/4- 20 X 3/4" S/S | 1 |
| 29 | H-73907 | FHSCS 5/16"- 18 X 3/4" SS | 2 |
| 30 | H-73913 | FHSCS 5/16"- 18 X 2-1/4" S/S | 8 |
| 31 | H-74429 | CB 5/16"- 18 X 3/4" SS | 11 |
| 32 | H-74431 | CB 5/16"- 18 X 1-1/4" SS | 4 |
| 33 | H-74435 | CB 5/16"- 18 X 3.0" SS | 1 |
| 34 | H-98025 | FW 3/8" GRADE 8 | 4 |
| 35 | H-RUE14 | 3/8" RUE RING COTTER | 1 |
| 36 | H-RUE22 | 1/2" RUE RING COTTER | 1 |
| 37 | M-9434T27 | 3/4" DIA I HOLE TUBE STRAP | 1 |

18 Frame Assembly-Brush Drive



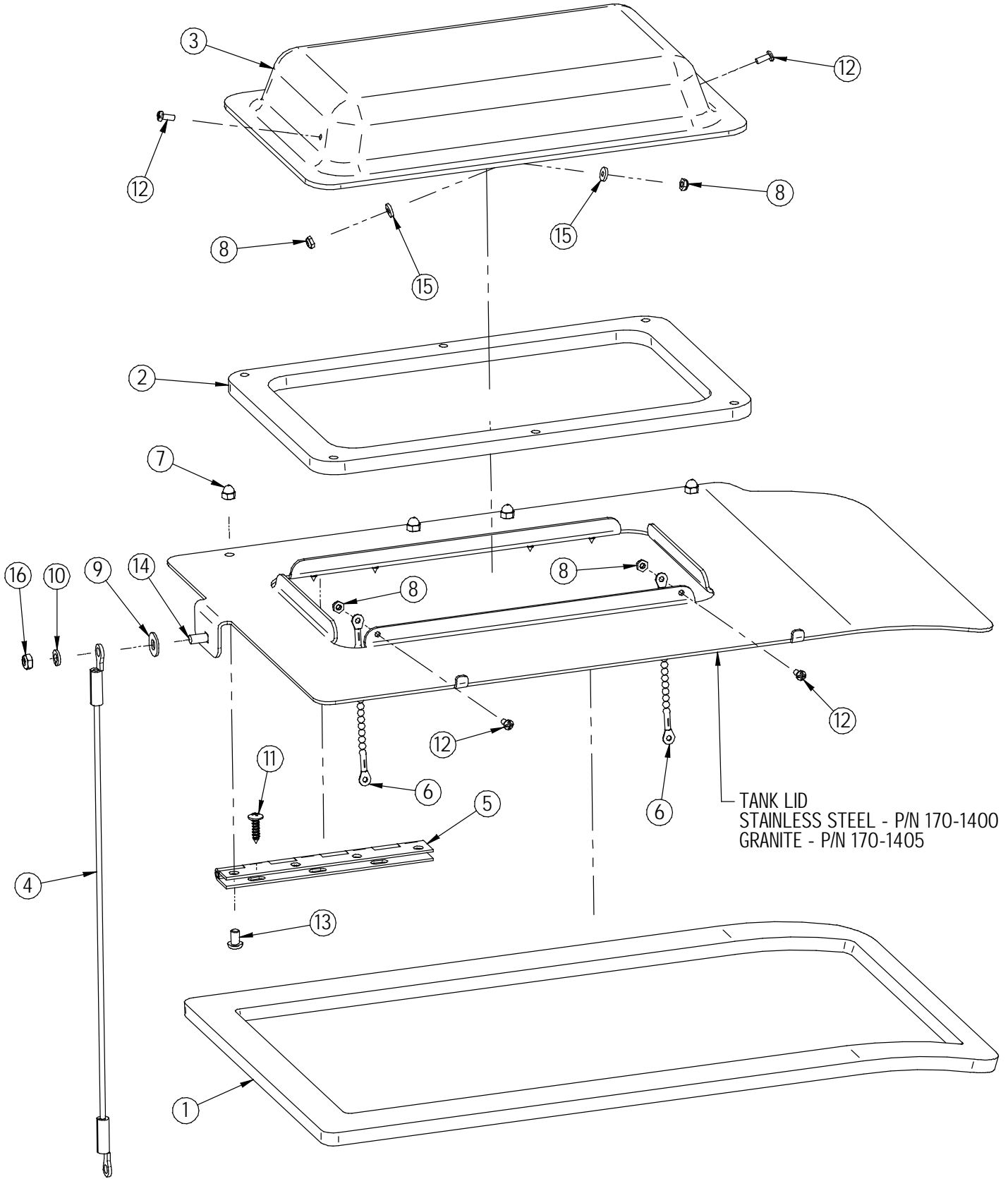
| Item | Part Number | Part Description | Qty |
|------|-------------|---------------------------|-----|
| 1 | 170-1000 | MAINFRAME | 1 |
| 2 | 170-1005 | FRAME SUPPORT - LH | 1 |
| 3 | 170-1006 | FRAME SUPPORT - RH | 1 |
| 4 | 170-1060 | BOSS | 2 |
| 5 | 4-124 | LATCH | 2 |
| 6 | H-01201 | GROMMET | 4 |
| 7 | H-0129154 | JAM NYLOK #10-24 SS | 4 |
| 8 | H-70109 | HCS 3/8"- 16 X 1-1/2" SS | 2 |
| 9 | H-70711 | HN 5/16"- 18 SS | 1 |
| 10 | H-70856 | NYLOK #8-32 SS | 4 |
| 11 | H-70861 | NYLOK 5/16" - 18 SS | 7 |
| 12 | H-71065 | LW 5/16" SS | 1 |
| 13 | H-71067 | LW 3/8" SS | 2 |
| 14 | H-72398 | PPH #8-32 X 1/2" S/S | 4 |
| 15 | H-73907 | FHSCS 5/16"- 18 X 3/4" SS | 2 |
| 16 | H-74429 | CB 5/16"- 18 X 3/4" SS | 5 |
| 17 | H-74433 | CB 5/16"- 18 X 2" SS | 1 |
| 18 | H-98025 | FW 3/8" GRADE 8 | 2 |
| 19 | H-99001 | FW 3/8" SS | 1 |
| 20 | H-NJ05C | JNYL 5/16"- 18 SS | 1 |

20 Frame Assembly-Brush Drive

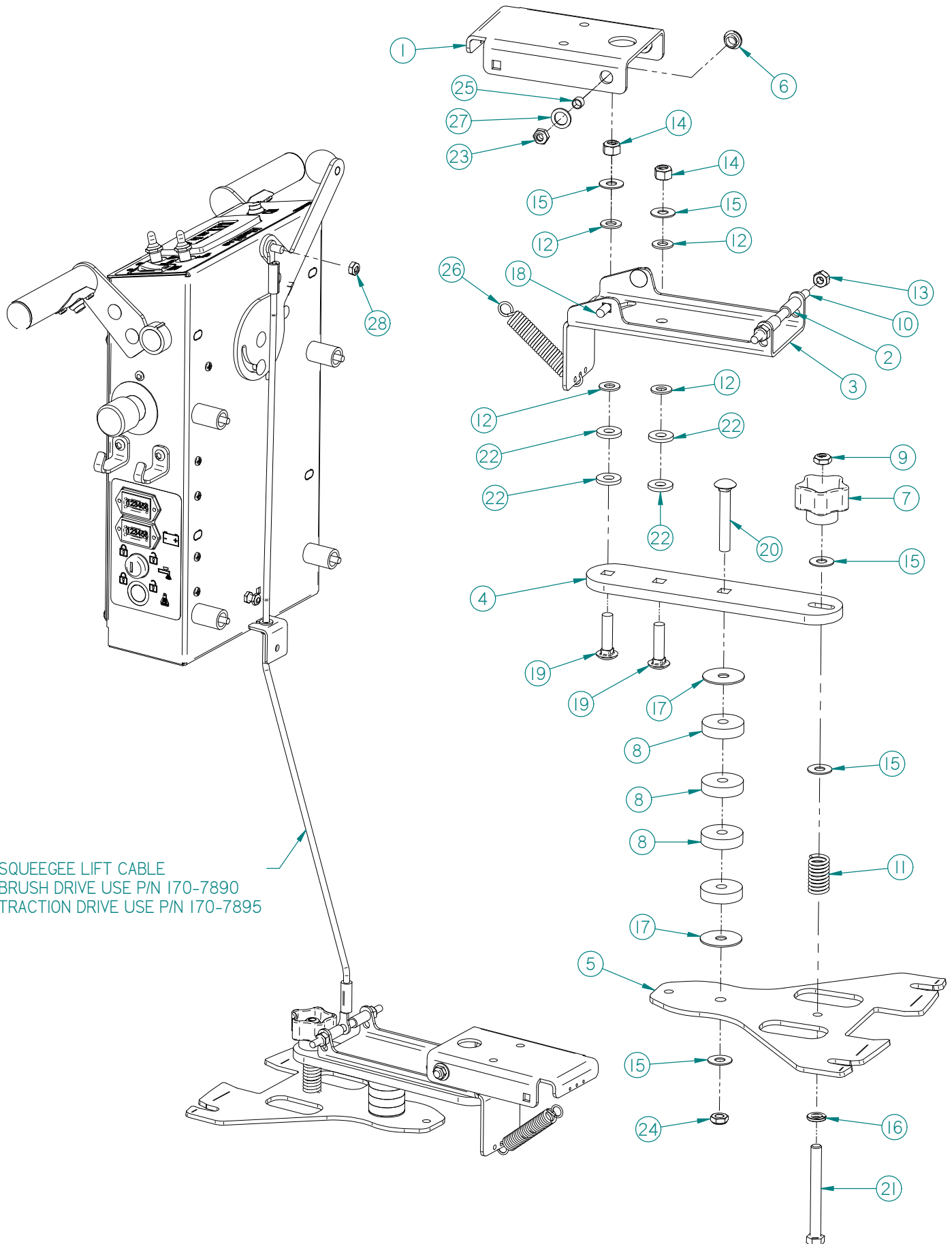


| Item | Part Number | Part Description | Qty |
|------|-------------|----------------------------|-----|
| 1 | I90-1170 | AXLE | 1 |
| 2 | 4-410A | 3/4" SHAFT COLLAR | 2 |
| 3 | H-00273 | FW 3/4 X 1 1/8 X 1/32 SS | 4 |
| 4 | H-25435 | SSS CP 5/16" X 1/4" | 2 |
| 5 | H-68015 | SNAPRING 3/4" | 4 |
| 6 | H-70109 | HCS 3/8"- 16 X 1-1/2" SS | 1 |
| 7 | H-70711 | HN 5/16"- 18 SS | 12 |
| 8 | H-70860 | NYLOK 1/4"- 20 SS | 7 |
| 9 | H-71017 | FW 3/8 ID X 7/8 OD SS | 8 |
| 10 | H-71063 | LW 1/4" SS | 4 |
| 11 | H-71065 | LW 5/16" SS | 4 |
| 12 | H-73882 | FHSCS 1/4- 20 X 3/4" S/S | 3 |
| 13 | H-73908 | FHSCS 5/16"- 18 X 1" SS | 8 |
| 14 | H-74620 | 1/4-20 X 3/4" U-BOLT | 2 |
| 15 | M-9434T27 | 3/4" DIA 1 HOLE TUBE STRAP | 3 |

22 Tank Lid Assembly

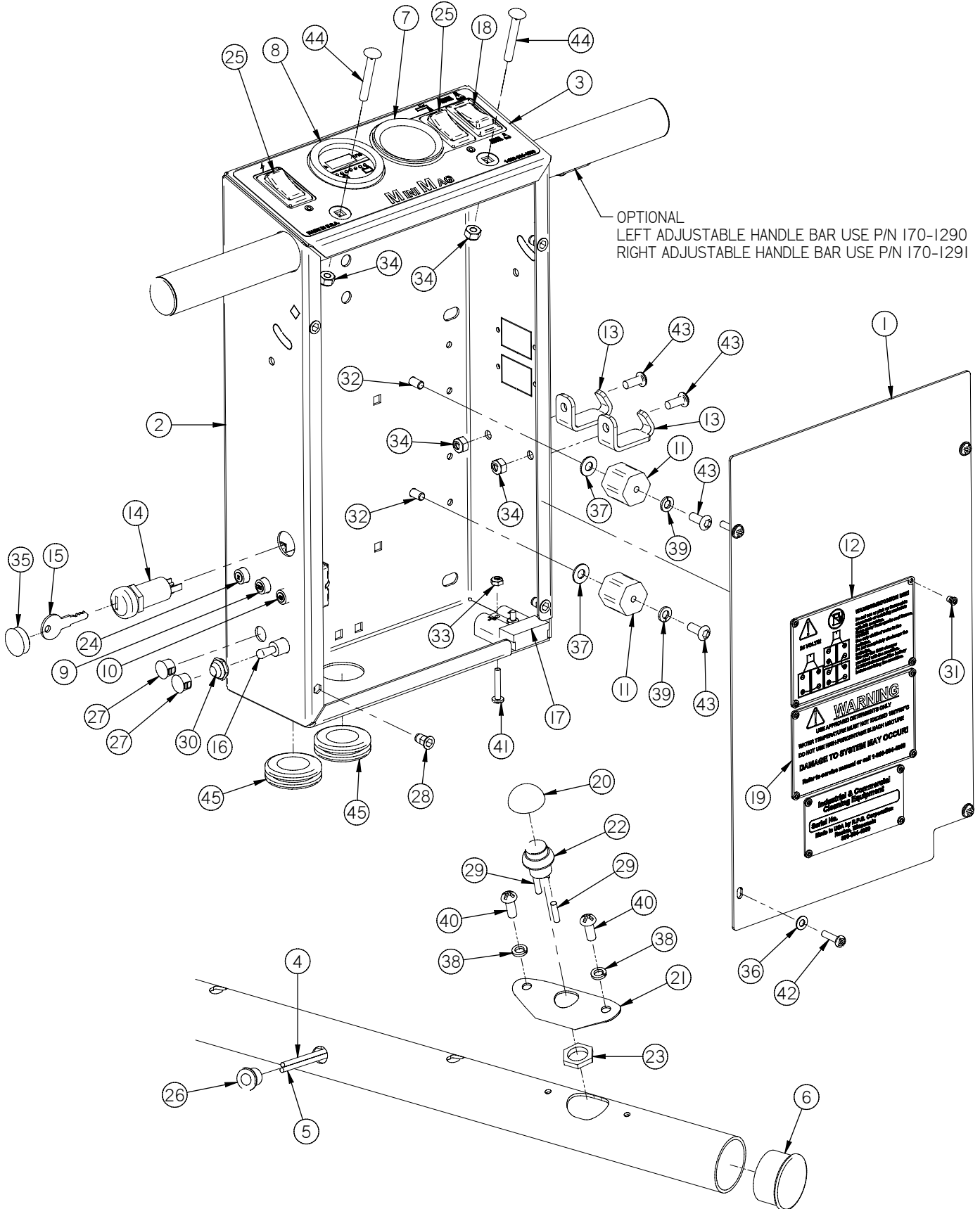


| Item | Part Number | Part Description | Qty |
|------|-------------|---|-----|
| 1 | 170-1070 | TANK LID GASKET | 1 |
| 2 | 190-1075 | TANK CLEAR COVER GASKET | 1 |
| 3 | 190-1410 | VAC FORMED CLEAR COVER | 1 |
| 4 | 253-1450 | RECOVERY TANK CABLE, 20" | 1 |
| 5 | 32-8000 | 8" CONTINUOUS HINGE | 2 |
| 6 | 370-4060 | 6" LANYARD | 2 |
| 7 | H-37709 | 5/16-18 ACORN NUT | 4 |
| 8 | H-70858 | NYLOK #10-32 SS | 4 |
| 9 | H-71017 | FW 3/8" X 7/8" SS | 1 |
| 10 | H-71065 | LW 5/16" SS | 1 |
| 11 | H-71894 | #14 X 1" SELF TAPPING SCREW | 6 |
| 12 | H-72515 | PPH #10-32 X 1/2" S/S | 4 |
| 13 | H-73777 | BHSCS 5/16-18 X 1/2" | 4 |
| 14 | H-74429 | CB 5/16"- 18 X 3/4" SS | 1 |
| 15 | H-90133 | .170 ID X .50 OD X .093 TH NEOPRENE WASHER | 2 |
| 16 | H-NJ05C | JNYL 5/16"- 18 SS | 1 |

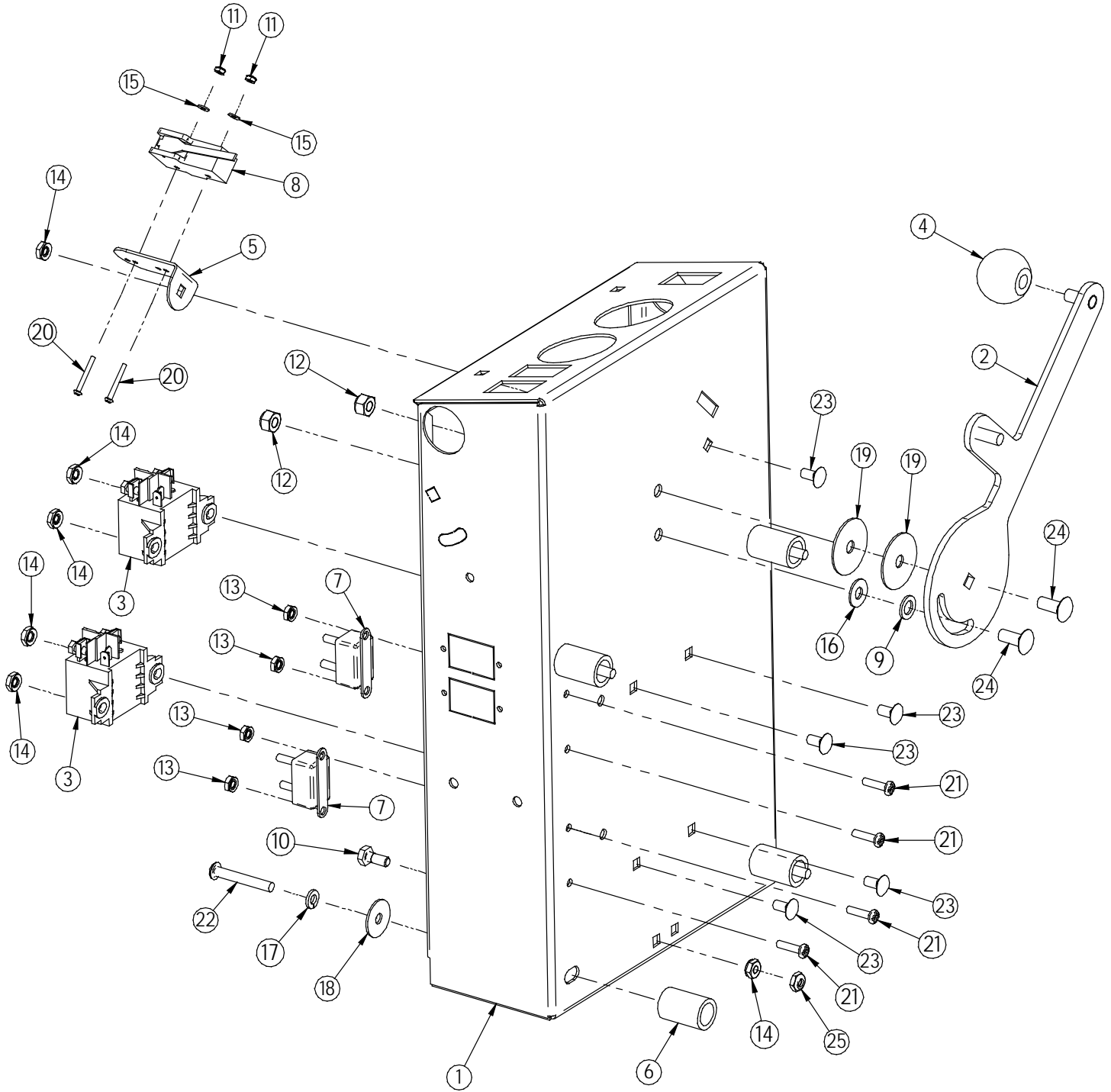


SQUEEGEE LIFT CABLE
 BRUSH DRIVE USE P/N 170-7890
 TRACTION DRIVE USE P/N 170-7895

| Item | Part Number | Part Description | Qty |
|------|-------------|--|-----|
| 1 | 170-1050 | SQUEEGEE SUPPORT | 1 |
| 2 | 170-1055 | TUBE, 5/16" ID X 7/16" OD X 1-1/2" LG | 2 |
| 3 | 170-7140 | SQUEEGEE SWING PLATE | 1 |
| 4 | 253-7150 | SQUEEGEE TRAIL ARM | 1 |
| 5 | 253-7610 | SQUEEGEE TRIANGLE PLATE | 1 |
| 6 | 290-1233 | 3/8" ID, 1/2" OD, 1/4" LG BEARING | 2 |
| 7 | 290-5787 | STAR KNOB, 3/8-24 THREAD | 1 |
| 8 | 4-446 | GROMMET-3/8 ID X 1-1/2 OD X .375 | 4 |
| 9 | H-0171004 | JNYL 3/8- 24 SS | 1 |
| 10 | H-10097811 | 5/16-18 X 5" DOUBLE ENDED STUD S/S | 1 |
| 11 | H-1111 | SPRING, 1/2" ID X 2-1/2" LG | 1 |
| 12 | H-4440024 | FW 3/8" X 3/4" NYLON | 4 |
| 13 | H-70861 | NYLOK 5/16" - 18 SS | 2 |
| 14 | H-70862 | NYLOK 3/8"-16 SS | 2 |
| 15 | H-71017 | FW 3/8" X 7/8" SS | 5 |
| 16 | H-71067 | LW 3/8" SS | 1 |
| 17 | H-71217 | FNW 3/8" X 1-1/2" SS | 2 |
| 18 | H-74429 | CB 5/16"- 18 X 3/4" SS | 2 |
| 19 | H-74438 | CB 3/8"- 16 X 1-1/2" SS | 2 |
| 20 | H-74440 | CB 3/8"- 16 X 2-1/2" SS | 1 |
| 21 | H-92865A227 | HCS 3/8"- 24 X 3.5" SS | 1 |
| 22 | H-98025 | FW 3/8" GRADE 8 | 4 |
| 23 | H-NJ05C | JNYL 5/16"- 18 SS | 2 |
| 24 | H-NJ06C | JNYL 3/8- 16 SS | 1 |
| 25 | M-6391K403 | .312 ID X .375 OD X .25 LG BEARING SLEEVE | 2 |
| 26 | M-9654K302 | SPRING, 4.0" LG X 23/32" OD X .105 WIRE | 1 |
| 27 | M-98126A739 | SHIM, 1/2" ID X 3/4" OD X 1/16" THICK, S/S | 2 |
| 28 | H-NJ05C | JNYL 5/16"- 18 SS | 1 |

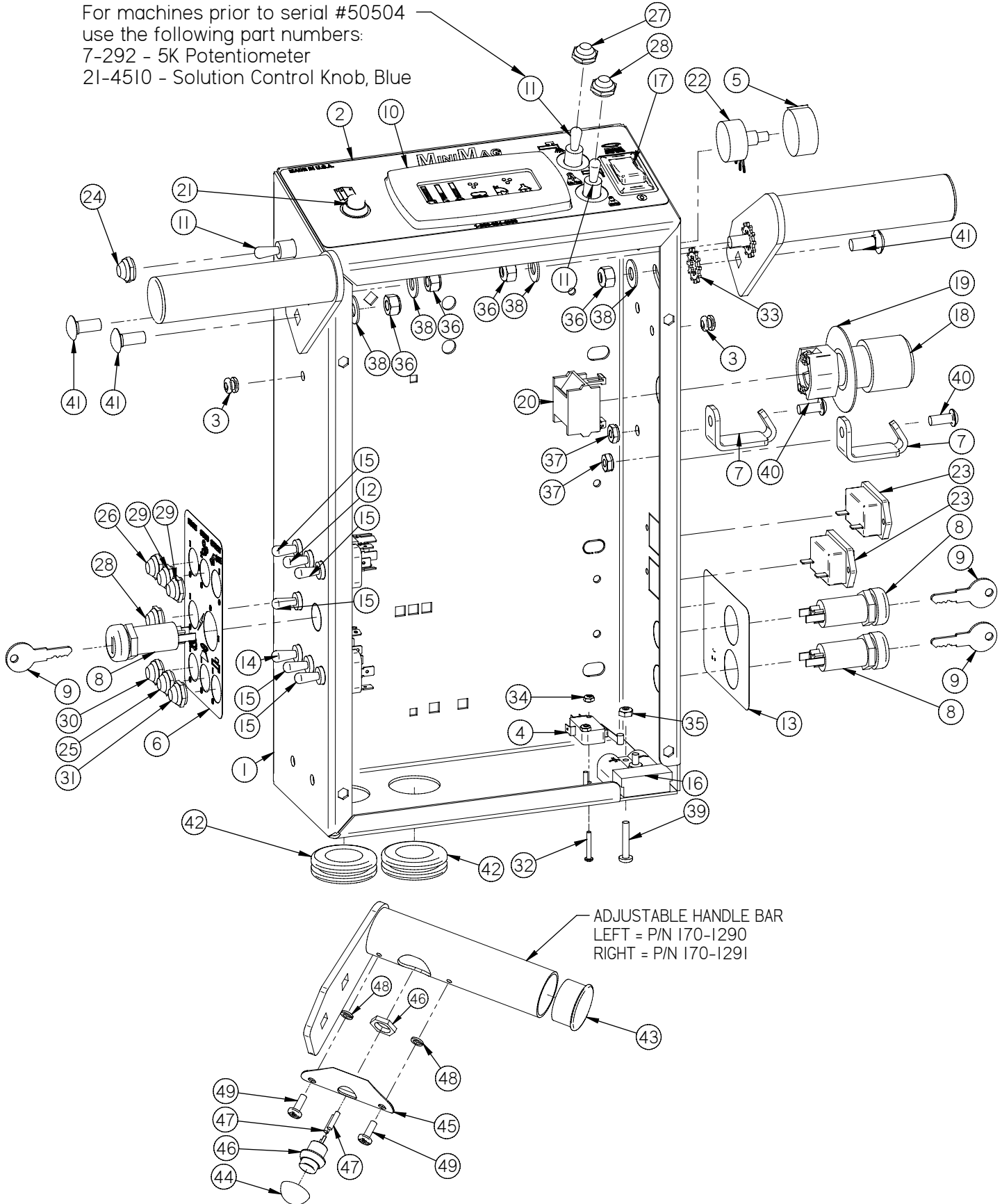


| Item | Part Number | Part Description | Options | Qty |
|------|-------------|--|----------|-----|
| 1 | 170-2001 | CONTROL PANEL COVER | | 1 |
| 2 | 170-2011 | CONTROL PANEL BOX, HD | | 1 |
| 3 | 170-2013 | MINI MAG HD CONTROL PANEL STICKER | | 1 |
| 4 | 190-1041 | RED WIRE, 16 GAGE, 12" LG | | 1 |
| 5 | 190-1042 | YELLOW WIRE, 16 GAGE, 12" LG | | 1 |
| 6 | 190-1390 | END CAP | | 1 |
| 7 | 190-4852 | BRUSH PRESSURE GAUGE, 40 AMP | | 1 |
| 8 | 190-4855 | BATTERY METER | | 1 |
| 9 | 190-8370 | FUSE RESETTABLE 25 AMP | | 1 |
| 10 | 190-9609 | FUSE, RESETTABLE, 40 AMP | | 1 |
| 11 | 200-1011 | SWITCHBOARD INSULATOR | | 2 |
| 12 | 253-7280 | EXPLOSION WARNING PLATE | | 1 |
| 13 | 253-9491 | HOOK | | 2 |
| 14 | 290-234 | KEY SWITCH | OPTIONAL | 1 |
| 15 | 290-234A | KEY SET (REPLACE) | OPTIONAL | 1 |
| 16 | 370-8920 | TOGGLE, ON-OFF SPST | OPTIONAL | 1 |
| 17 | 4-259 | CONNECTOR, RED 50, HOUSING ONLY | | 1 |
| 18 | 5-234 | SWITCH, ROCKER, DPDT, ON/ON | | 1 |
| 19 | 5-728 | DETERGENT WARNING PLATE | | 1 |
| 20 | 7-227 | BUTTON COVER | | 1 |
| 21 | 7-228 | SWITCH MOUNT PLATE | | 1 |
| 22 | 7-229 | PUSH BUTTON SWITCH | | 1 |
| 23 | 7-229 | PLASTIC SWITCH NUT | | 1 |
| 24 | 7-837 | FUSE RESETTABLE 2 AMP | | 1 |
| 25 | 8-231 | SWITCH, ON-OFF ROCKER SPST | | 2 |
| 26 | H-03124 | 1/4" ID, 3/8" OD, 3/8" LG FLANGED BEARING, NYLON | | 1 |
| 27 | H-0708887 | DOME PLUG 1/2", BLK | OPTIONAL | 2 |
| 28 | H-1032HCN | HCN #10-32 | | 1 |
| 29 | H-108 | HEAT SHRINK | | 2 |
| 30 | H-11199 | PROTECTIVE BOOT, TOGGLE SWITCH, (BLUE) | OPTIONAL | 1 |
| 31 | H-41007 | AB4-3A BLIND RIVET | | 12 |
| 32 | H-70001 | HCS 1/4"-20 X 1/2 SS" | | 2 |
| 33 | H-70856 | NYLOK #8-32 SS | | 1 |
| 34 | H-70860 | NYLOK 1/4"- 20 SS | | 4 |
| 35 | H-70888 | HOLE PLUG 3/4" | OPTIONAL | 1 |
| 36 | H-71009 | FW #10 SS | | 4 |
| 37 | H-71013 | FW 1/4 ID X 5/8 OD SS | | 2 |
| 38 | H-71057 | LW #8, SS | | 2 |
| 39 | H-71063 | LW 1/4" SS | | 2 |
| 40 | H-72398 | PPHMS #8-32 X 1/2" SS | | 2 |
| 41 | H-72418 | PPH #8-32 X 1" S/S | | 1 |
| 42 | H-72534 | PPH #10-32 X 3/4" S/S | | 4 |
| 43 | H-73753 | BHSCS 1/4 - 20 X 5/8" SS | | 4 |
| 44 | H-74396 | CB 1/4"- 20 X 1-3/4" SS | | 2 |
| 45 | H-9307K74 | GROMMET, 1" ID X 1-3/4" OD BUNA-N | | 2 |

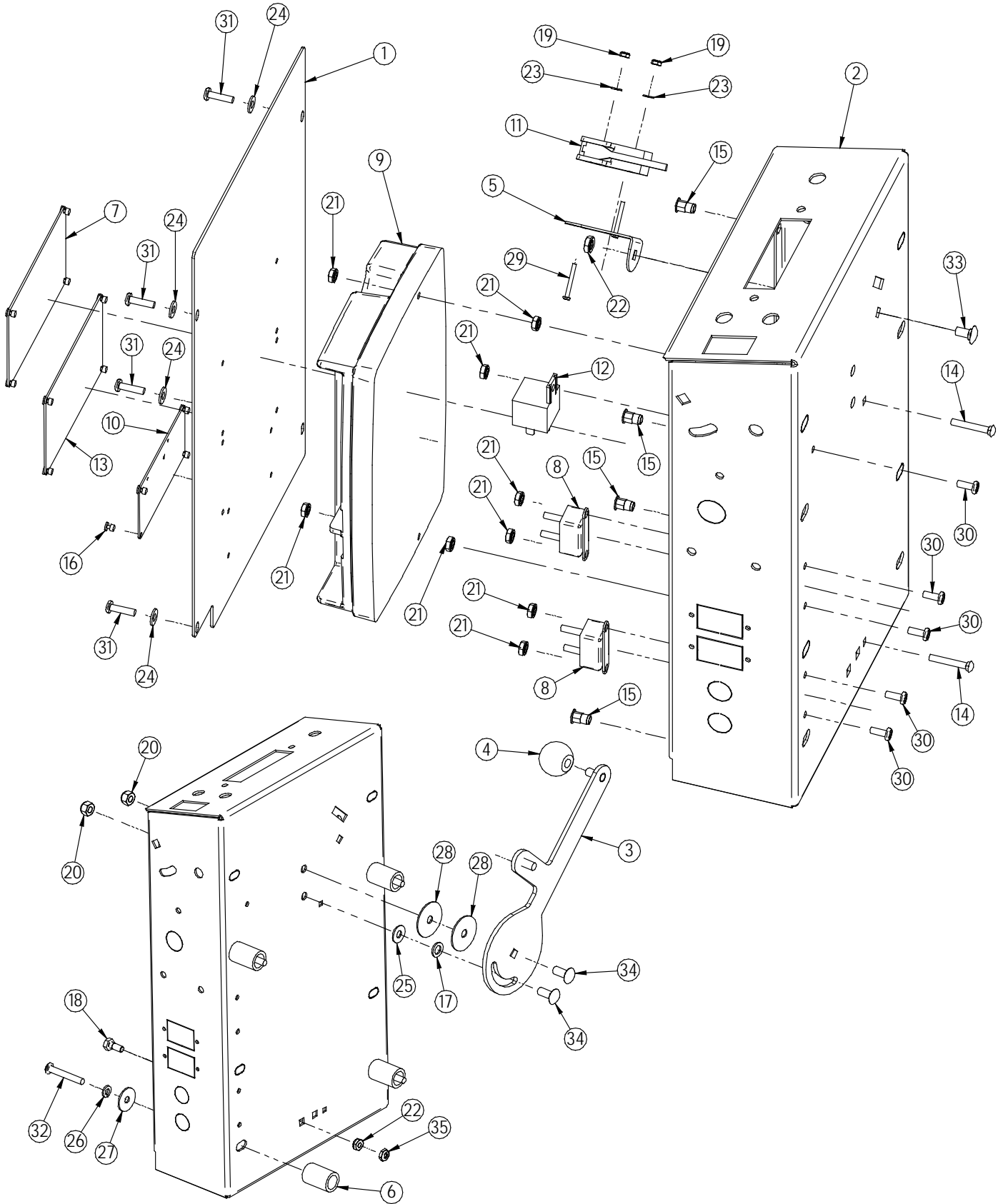


| Item | Part Number | Part Description | Qty |
|------|-------------|----------------------------|-----|
| 1 | 170-2011 | CONTROL PANEL BOX, HD | 1 |
| 2 | 170-7100 | SQUEEGEE LIFT LEVER | 1 |
| 3 | 190-8283 | RELAY, 24V, 50 AMP | 2 |
| 4 | 21-7101 | LIFT KNOB | 1 |
| 5 | 253-2020 | BRACKET, LIMIT SWITCH | 1 |
| 6 | 253-2700 | SPACER, 1-1/4" LG | 4 |
| 7 | 290-2815 | CIR. BREAKER - 15A, 24V | 2 |
| 8 | 5-223 | LIMIT SWITCH | 1 |
| 9 | H-4440024 | FW 3/8" X 3/4 NYLON | 1 |
| 10 | H-70002 | HCS 1/4"-20 X 5/8" SS | 1 |
| 11 | H-70854 | NYLOK #4-40 SS | 2 |
| 12 | H-70861 | NYLOK 5/16" - 18 SS | 2 |
| 13 | H-70923 | KN #10-32 SS | 4 |
| 14 | H-70925 | KN 1/4-20 S/S | 6 |
| 15 | H-71004 | FW 1/8" X 5/16" SS | 2 |
| 16 | H-71015 | FW 5/16" X 3/4" SAE SS | 1 |
| 17 | H-71063 | LW 1/4" SS | 1 |
| 18 | H-71212 | FNW 1/4" X 1" SS | 1 |
| 19 | H-71215 | FNW 5/16" X 1-1/2" SS | 2 |
| 20 | H-72494 | PPH #4-40 X 1" S/S | 2 |
| 21 | H-72534 | PPH #10-32 X 3/4" S/S | 4 |
| 22 | H-73758 | BHSCS 1/4 - 20 X 1-3/4" SS | 4 |
| 23 | H-74417 | CB 1/4"- 20 X .5" SS | 5 |
| 24 | H-74429 | CB 5/16"- 18 X 3/4" SS | 2 |
| 25 | H-NJ04C | JNYL 1/4" - 20 SS | 1 |

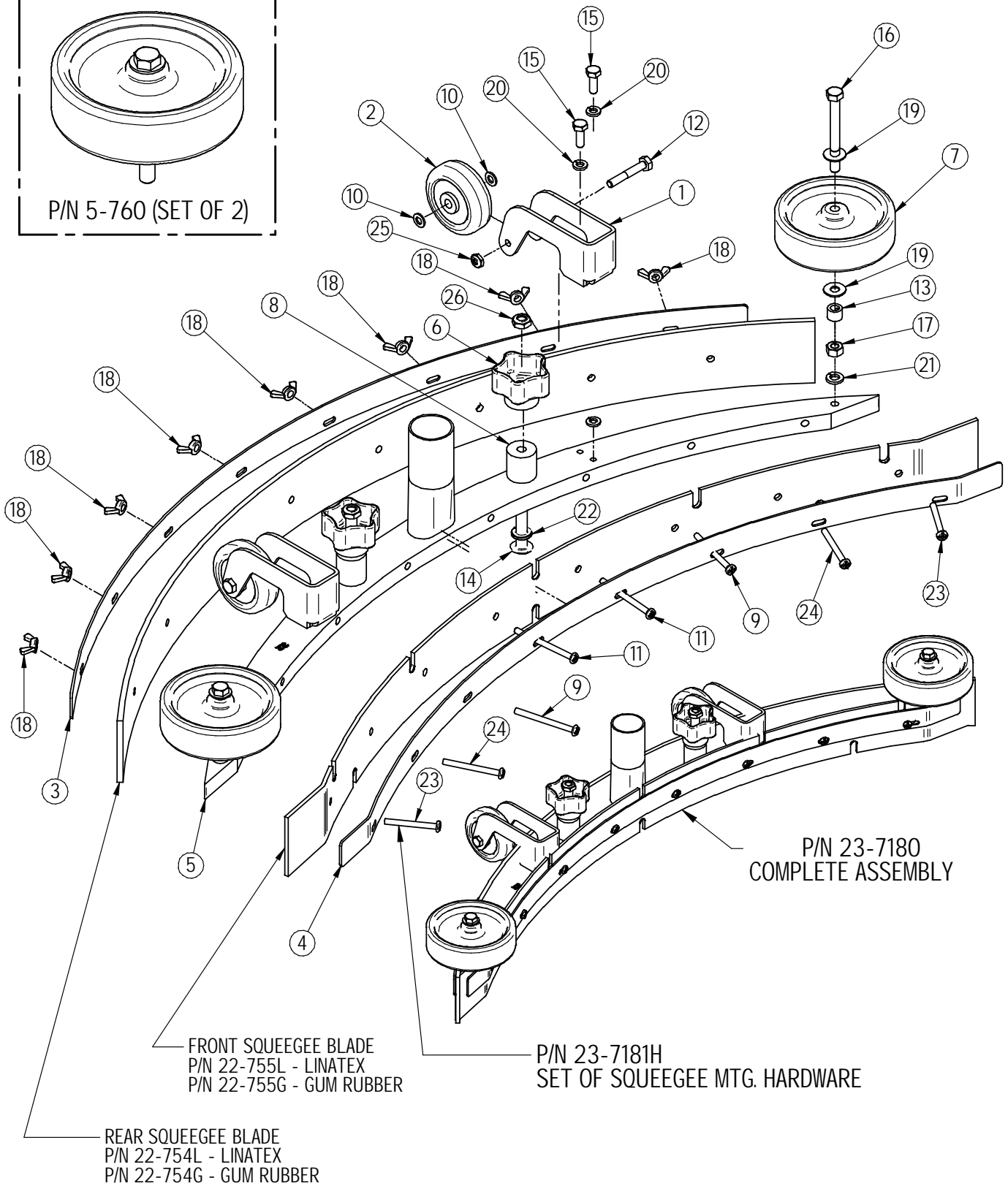
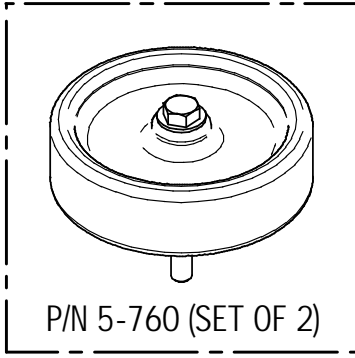
For machines prior to serial #50504
 use the following part numbers:
 7-292 - 5K Potentiometer
 21-4510 - Solution Control Knob, Blue



| Item | Part Number | Part Description | Options | Qty |
|------|-------------|---|----------|-----|
| 1 | 170-2012 | CONTROL PANEL BOX, TRACTION | | 1 |
| 2 | 170-2016 | MINI MAG TD CONTROL PANEL STICKER | | 1 |
| 3 | 21-2203 | GROMMET, RUBBER 3/16 ID X 13/32 OD X 3/32 TH. | | 2 |
| 4 | 21-2230 | MICRO SWITCH | Optional | 1 |
| 5 | 21-4520 | SPEED CONTROL KNOB, RED | | 1 |
| 6 | 253-2017 | SUDS/SPRAY STICKER | | 1 |
| 7 | 253-9491 | HOOK | | 2 |
| 8 | 290-234 | KEY SWITCH | | 3 |
| 9 | 290-234A | KEY SET (REPLACE) | | 3 |
| 10 | 290-2891 | LCD SCREEN | | 1 |
| 11 | 370-2830 | SWITCH, TOGGLE, MOM/OFF/MOM (DPDT) | | 3 |
| 12 | 370-2831 | SWITCH, TOGGLE, ON/OFF/ON (DPDT) | | 1 |
| 13 | 370-7204 | METER STICKER | | 1 |
| 14 | 370-8210 | SWITCH, TOGGLE, ON/ON (DPDT) | | 1 |
| 15 | 370-8920 | TOGGLE, ON-OFF SPST | Optional | 5 |
| 16 | 4-259 | CONNECTOR, RED 50, HOUSING ONLY | | 1 |
| 17 | 5-234 | SWITCH, ROCKER, DPDT, ON/ON | | 1 |
| 18 | 5-300 | EMERGENCY SHUT OFF | | 1 |
| 19 | 5-301 | EMERGENCY LEGEND PLATE | | 1 |
| 20 | 5-302 | EMERGENCY CONTACT BLACK | | 1 |
| 21 | 7-229 | PUSH BUTTON SWITCH | | 1 |
| 22 | 7-292 | 5K POTENTIOMETER | | 1 |
| 23 | 8-262 | HOUR METER | | 2 |
| 24 | H-11196 | PROTECTIVE BOOT, TOGGLE SWITCH, (RED) | | 1 |
| 25 | H-11197 | PROTECTIVE BOOT, TOGGLE SWITCH, (YELLOW) | | 1 |
| 26 | H-11198 | PROTECTIVE BOOT, TOGGLE SWITCH, (GREEN) | | 1 |
| 27 | H-11199 | PROTECTIVE BOOT, TOGGLE SWITCH, (BLUE) | Optional | 2 |
| 28 | H-11200 | PROTECTIVE BOOT, TOGGLE SWITCH, (BLACK) | | 2 |
| 29 | H-11201 | PROTECTIVE BOOT, TOGGLE SWITCH, (GRAY) | | 1 |
| 30 | H-11202 | PROTECTIVE BOOT, TOGGLE SWITCH, (ORANGE) | | 1 |
| 31 | H-11205 | PROTECTIVE BOOT, TOGGLE SWITCH, (LIGHT BLUE) | Optional | 1 |
| 32 | H-28667 | PHP MS 4-40 X 3/4" | | 2 |
| 33 | H-33761 | 5/16" INT/EXT STAR WASHER | | 2 |
| 34 | H-70854 | NYLOK #4-40 SS | | 2 |
| 35 | H-70856 | NYLOK #8-32 SS | | 2 |
| 36 | H-70861 | NYLOK 5/16" - 18 SS | | 4 |
| 37 | H-70925 | KN 1/4-20 S/S | | 2 |
| 38 | H-71015 | FW 5/16 ID X 3/4 OD SS | | 4 |
| 39 | H-72418 | PPH #8-32 X 1" S/S | | 2 |
| 40 | H-73753 | BHSCS 1/4 - 20 X 5/8" SS | | 2 |
| 41 | H-74429 | CB 5/16"- 18 X 3/4" SS | | 4 |
| 42 | H-9307K74 | GROMMET, 1" ID X 1-3/4" OD BUNA-N | | 2 |
| 43 | 190-1390 | END CAP | | 2 |
| 44 | 7-227 | BUTTON COVER | | 1 |
| 45 | 7-228 | SWITCH MOUNT PLATE | | 2 |
| 46 | 7-229 | PUSH BUTTON SWITCH | | 2 |

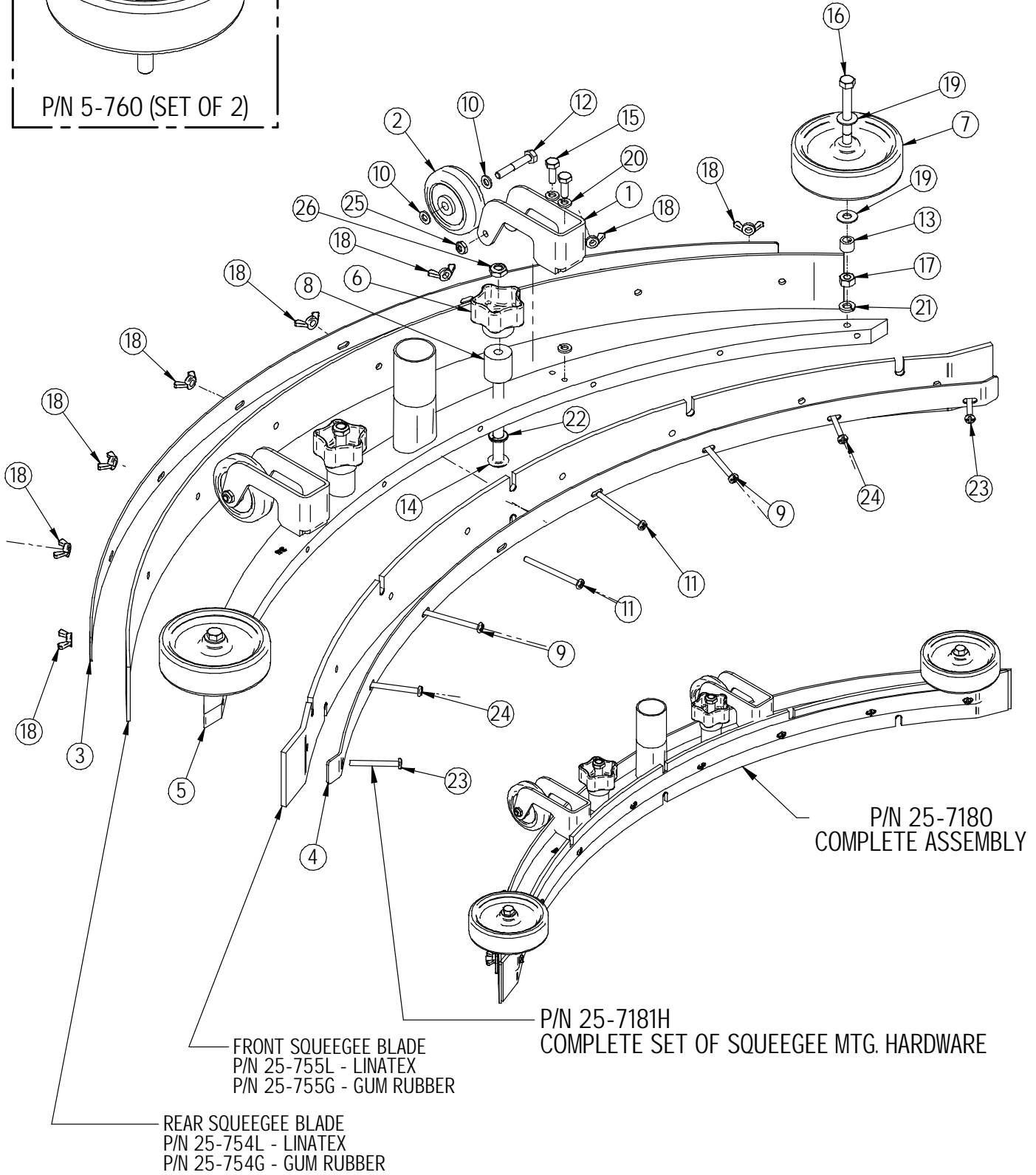
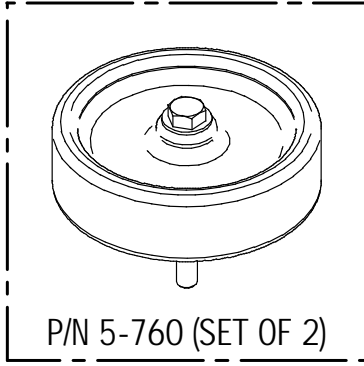


| Item | Part Number | Part Description | Qty |
|------|-------------|-----------------------------|-----|
| 1 | 170-2001 | CONTROL PANEL COVER | 1 |
| 2 | 170-2012 | CONTROL PANEL BOX, TRACTION | 1 |
| 3 | 170-7100 | SQUEEGEE LIFT LEVER | 1 |
| 4 | 21-7101 | LIFT KNOB | 1 |
| 5 | 253-2020 | BRACKET, LIMIT SWITCH | 1 |
| 6 | 253-2700 | SPACER, 1-1/4" LG | 4 |
| 7 | 253-7280 | EXPLOSION WARNING PLATE | 1 |
| 8 | 290-2815 | CIR. BREAKER - 15A, 24V | 2 |
| 9 | 390-2899 | CONTROLLER V4 | 1 |
| 10 | 4-101 | SERIAL NUMBER PLATE | 1 |
| 11 | 5-223 | LIMIT SWITCH | 1 |
| 12 | 5-293 | 15 AMP RELAY | 1 |
| 13 | 5-728 | DETERGENT WARNING PLATE | 1 |
| 14 | H-0172522 | CB #10-32 X 1-1/4" SS | 2 |
| 15 | H-1032HCN | HCN #10-32 | 4 |
| 16 | H-41007 | AB4-3A BLIND RIVET | 12 |
| 17 | H-4440024 | FW 3/8" X 3/4" NYLON | 1 |
| 18 | H-70002 | HCS 1/4"-20 X 5/8" SS | 1 |
| 19 | H-70854 | NYLOK #4-40 SS | 2 |
| 20 | H-70861 | NYLOK 5/16" - 18 SS | 2 |
| 21 | H-70923 | KN #10-32 SS | 9 |
| 22 | H-70925 | KN 1/4-20 S/S | 2 |
| 23 | H-71004 | FW 1/8" X 5/16" SS | 2 |
| 24 | H-71009 | FW #10 SS | 4 |
| 25 | H-71015 | FW 5/16" X 3/4" SS | 1 |
| 26 | H-71063 | LW 1/4" SS | 1 |
| 27 | H-71212 | FNW 1/4" X 1" SS | 1 |
| 28 | H-71215 | FNW 5/16" X 1-1/2" SS | 2 |
| 29 | H-72494 | PPH #4-40 X 1" S/S | 2 |
| 30 | H-72515 | PPH #10-32 X 1/2" S/S | 5 |
| 31 | H-72534 | PPH #10-32 X 3/4" S/S | 4 |
| 32 | H-73758 | BHSCS 1/4 - 20 X 1-3/4" SS | 4 |
| 33 | H-74417 | CB 1/4"- 20 X .5" SS | 1 |
| 34 | H-74429 | CB 5/16"- 18 X 3/4" SS | 2 |
| 35 | H-NJ04C | JNYL 1/4" - 20 SS | 1 |

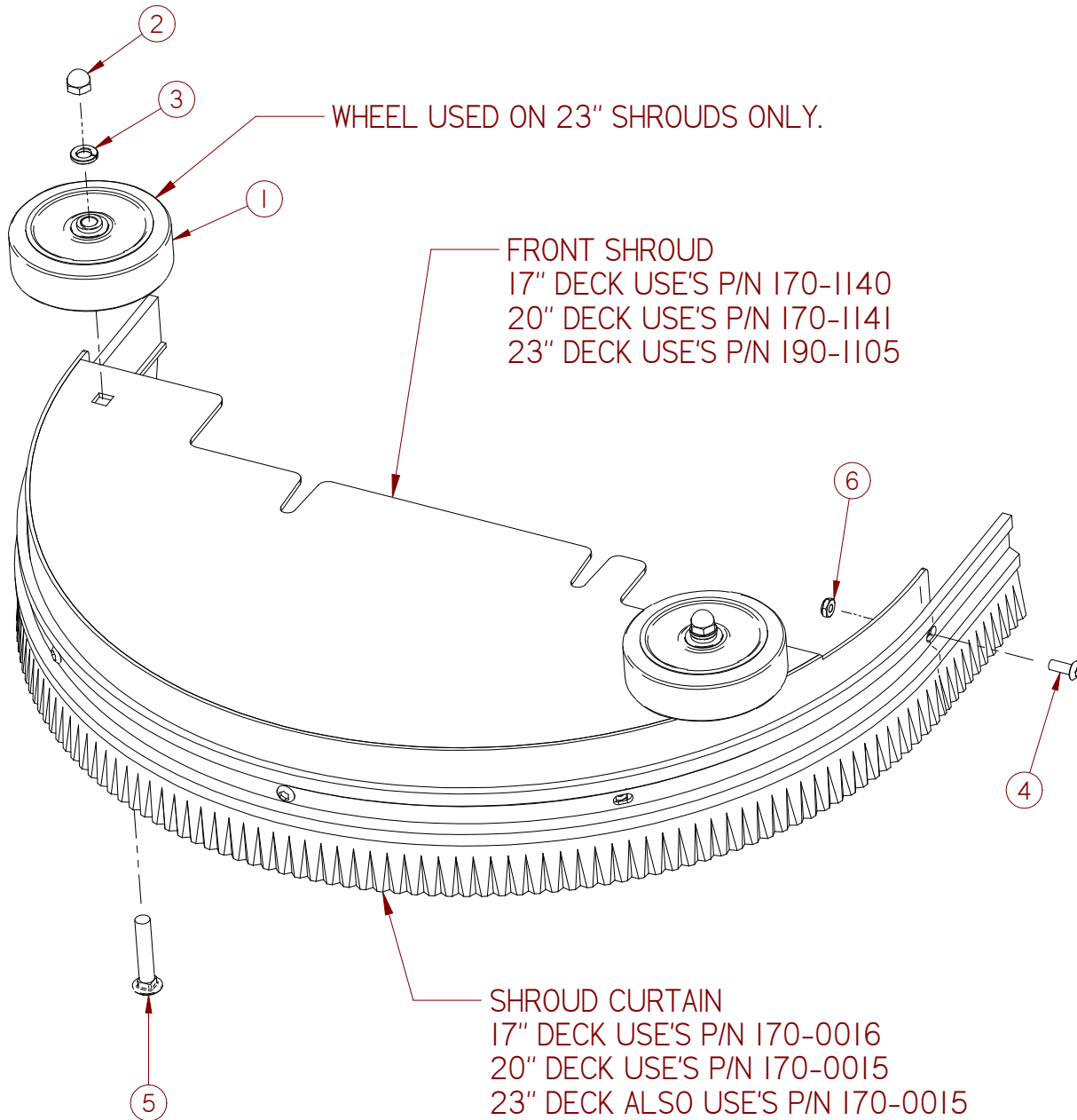


| Item | Part No. | Part Description | Qty |
|------|-----------|-----------------------------|-----|
| 1 | 21-7220 | SQUEEGEE TRAIL MOUNTS | 2 |
| 2 | 21-7570 | BACK UP WHEEL (GREY) | 2 |
| 3 | 23-7160 | SQUEEGEE BAND, REAR | 1 |
| 4 | 23-7170 | SQUEEGEE BAND, FRONT | 1 |
| 5 | 23-7181 | 32" SQUEEGEE BODY | 1 |
| 6 | 290-5786 | STAR KNOB, 3/8-16 THREAD | 2 |
| 7 | 5-760B | 4" SIDE WHEEL (GREY) | 2 |
| 8 | 5-846 | STANDOFF, 1.03" | 2 |
| 9 | H-00249 | PPH #10-32 X 2 1/4" SS | 2 |
| 10 | H-00283 | FW 1/4" NYLON | 4 |
| 11 | H-00288 | PPH #10-32 X 2 1/2" SS | 2 |
| 12 | H-0172248 | HCS 1/4"- 20 X 1.625" SS | 2 |
| 13 | H-33371 | 5/16" ID SHAFT COLLAR | 2 |
| 14 | H-37350 | BHSCS 3/8"- 16 X 3-1/2" S/S | 2 |
| 15 | H-70003 | HCS 1/4"- 20 X 3/4" SS | 4 |
| 16 | H-70065 | HCS 5/16"- 18 X 3" SS | 2 |
| 17 | H-70711 | HN 5/16"- 18 SS | 2 |
| 18 | H-70908 | WINGNUT 10-32 SS | 8 |
| 19 | H-71015 | FW 5/16" X 3/4" SAE SS | 4 |
| 20 | H-71063 | LW 1/4" SS | 6 |
| 21 | H-71065 | LW 5/16" SS | 2 |
| 22 | H-71067 | LW 3/8" SS | 2 |
| 23 | H-72555 | PPH #10-32 X 1 3/4" SS | 2 |
| 24 | H-72556 | PPH #10-32 X 2" SS | 2 |
| 25 | H-NJ04C | JNYL 1/4" - 20 SS | 2 |
| 26 | H-NJ06C | JNYL 3/8- 16 SS | 2 |

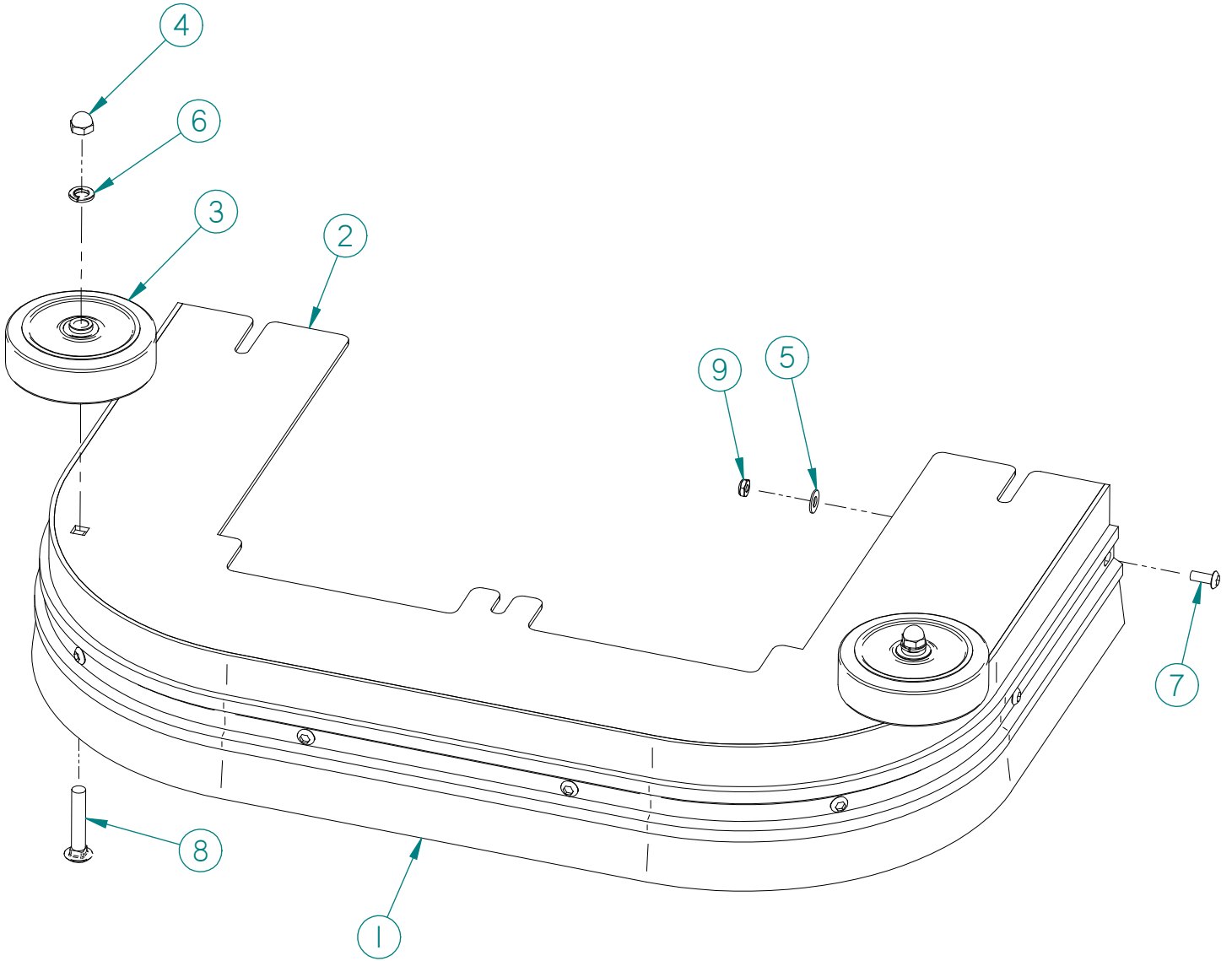
36 35 Inch Squeegee Assembly



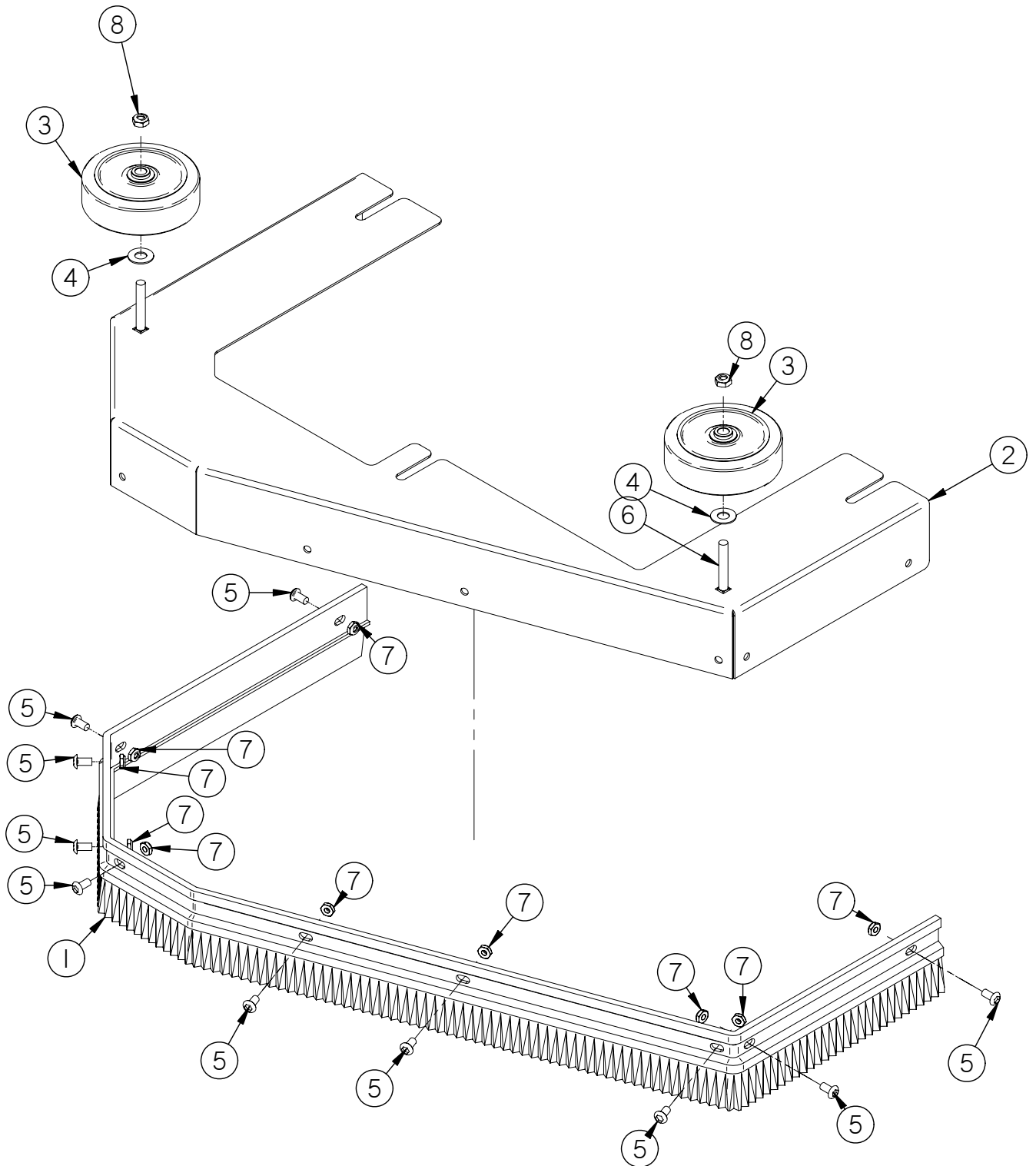
| Item | Part No. | Part Description | Qty |
|------|-----------|------------------------------|-----|
| 1 | 21-7220 | SQUEEGEE TRAIL MOUNTS | 2 |
| 2 | 21-7570 | BACK UP WHEEL (GREY) | 2 |
| 3 | 25-7160 | SQUEEGEE BAND, REAR | 1 |
| 4 | 25-7170 | SQUEEGEE BAND, FRONT | 1 |
| 5 | 25-7181 | 35" SQUEEGEE BODY | 1 |
| 6 | 290-5786 | STAR KNOB, 3/8-16 THREAD | 2 |
| 7 | 5-760B | 4" SIDE WHEEL (GREY) | 2 |
| 8 | 5-846 | STANDOFF, 1.03" | 2 |
| 9 | H-00249 | PPH #10-32 X 2 1/4" SS | 2 |
| 10 | H-00283 | FW 1/4" NYLON | 4 |
| 11 | H-00288 | PPH #10-32 X 2 1/2" SS | 2 |
| 12 | H-0172248 | HCS 1/4" - 20 X 1.625" SS | 2 |
| 13 | H-33371 | 5/16" ID SHAFT COLLAR | 2 |
| 14 | H-37350 | BHSCS 3/8" - 16 X 3-1/2" S/S | 2 |
| 15 | H-70003 | HCS 1/4" - 20 X 3/4" SS | 4 |
| 16 | H-70065 | HCS 5/16" - 18 X 3" SS | 2 |
| 17 | H-70711 | HN 5/16" - 18 SS | 2 |
| 18 | H-70908 | WINGNUT 10-32 SS | 8 |
| 19 | H-71015 | FW 5/16" X 3/4" SAE SS | 4 |
| 20 | H-71063 | LW 1/4" SS | 6 |
| 21 | H-71065 | LW 5/16" SS | 2 |
| 22 | H-71067 | LW 3/8" SS | 2 |
| 23 | H-72555 | PPH #10-32 X 1 3/4" SS | 2 |
| 24 | H-72556 | PPH #10-32 X 2" SS | 2 |
| 25 | H-NJ04C | JNYL 1/4" - 20 SS | 2 |
| 26 | H-NJ06C | JNYL 3/8- 16 SS | 2 |



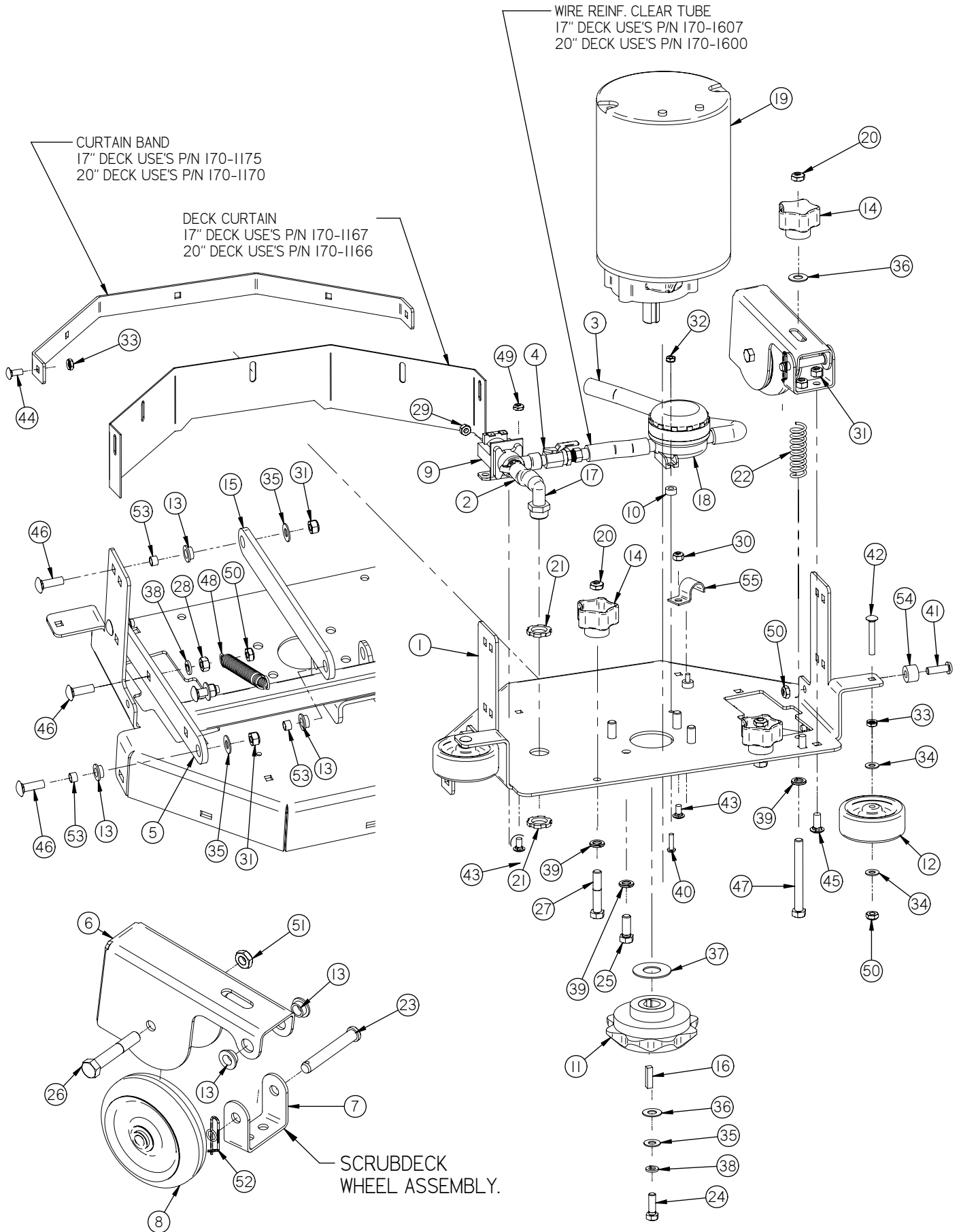
| Item | Part Number | Part Description | Qty |
|------|-------------|-----------------------------|-----|
| 1 | 190-3030 | 4.0" WHEEL (GRAY) | 2 |
| 2 | H-37710 | 3/8-16 LC ACORN NUT, NICKEL | 2 |
| 3 | H-71067 | LW 3/8" SS | 2 |
| 4 | H-73753 | BHSCS 1/4 - 20 X 5/8" SS | 5 |
| 5 | H-74439 | CB 3/8"- 16 X 2.0" SS | 2 |
| 6 | H-NJ04C | JNYL 1/4" - 20 SS | 5 |



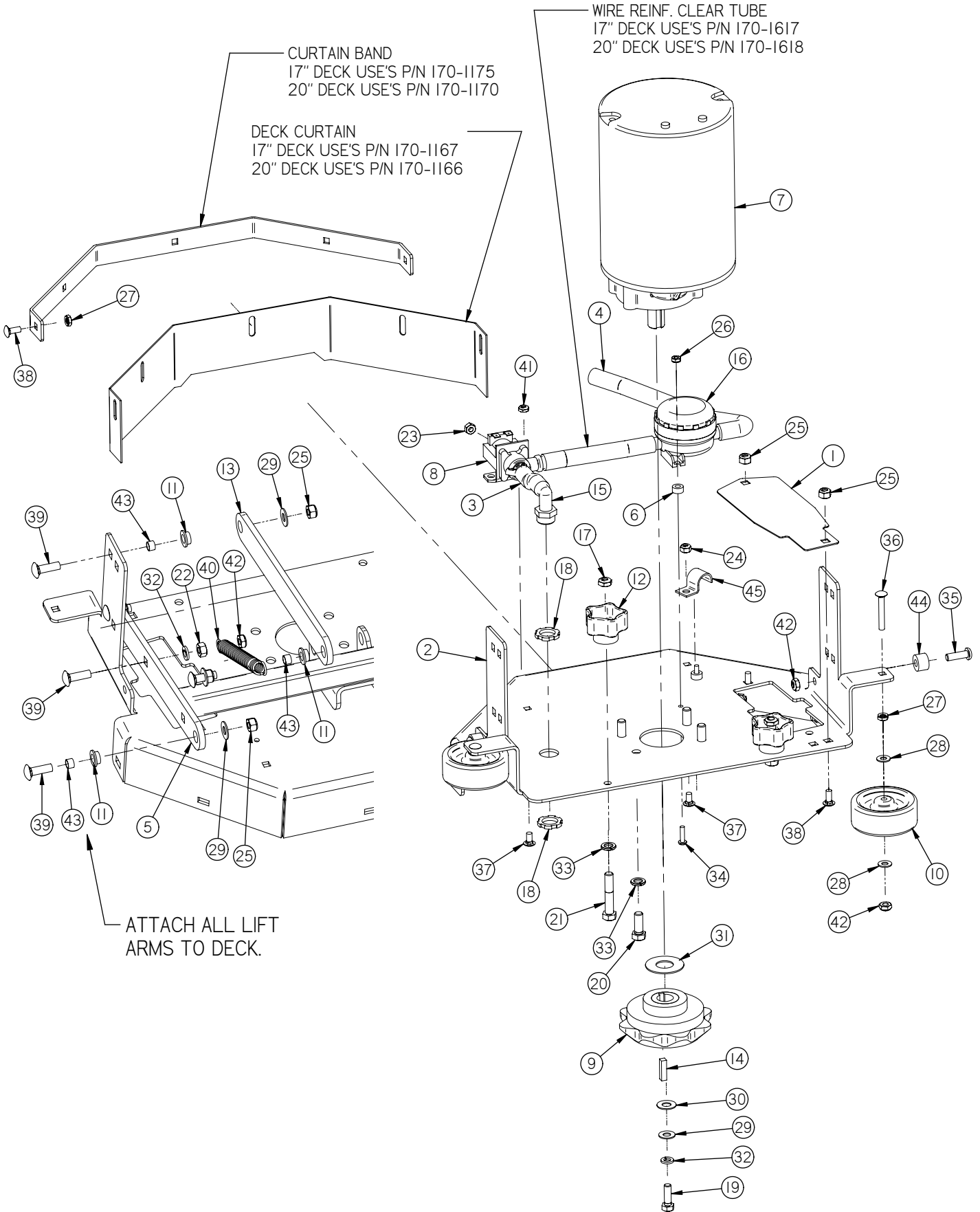
| Item | Part Number | Part Description | Qty |
|------|-------------|-----------------------------|-----|
| 1 | 170-0017 | SHROUD CURTAIN, 26" | 1 |
| 2 | 170-1110 | 26" DUAL DISK SHROUD | 1 |
| 3 | 190-3030 | 4.0" WHEEL (GRAY) | 2 |
| 4 | H-37710 | 3/8-16 LC ACORN NUT, NICKEL | 2 |
| 5 | H-71013 | FW 1/4 ID X 5/8 OD SS | 8 |
| 6 | H-71067 | LW 3/8" SS | 2 |
| 7 | H-73753 | BHSCS 1/4 - 20 X 5/8" SS | 8 |
| 8 | H-74439 | CB 3/8"- 16 X 2.0" SS | 2 |
| 9 | H-NJ04C | JNYL 1/4" - 20 SS | 8 |



| Item | Part No. | Part Description | Qty. |
|------|----------|--------------------------|------|
| 1 | 170-0019 | SHROUD SKIRT | 1 |
| 2 | 170-1116 | SHROUD, 28" | 1 |
| 3 | 190-3030 | 4.0" WHEEL (GRAY) | 2 |
| 4 | H-71017 | FW 3/8 ID X 7/8 OD SS | 2 |
| 5 | H-73752 | BHSCS 1/4 - 20 X 1/2" SS | 10 |
| 6 | H-74433 | CB 5/16"- 18 X 2" SS | 2 |
| 7 | H-NJ04C | JNYL 1/4" - 20 SS | 10 |
| 8 | H-NJ05C | JNYL 5/16"- 18 SS | 2 |

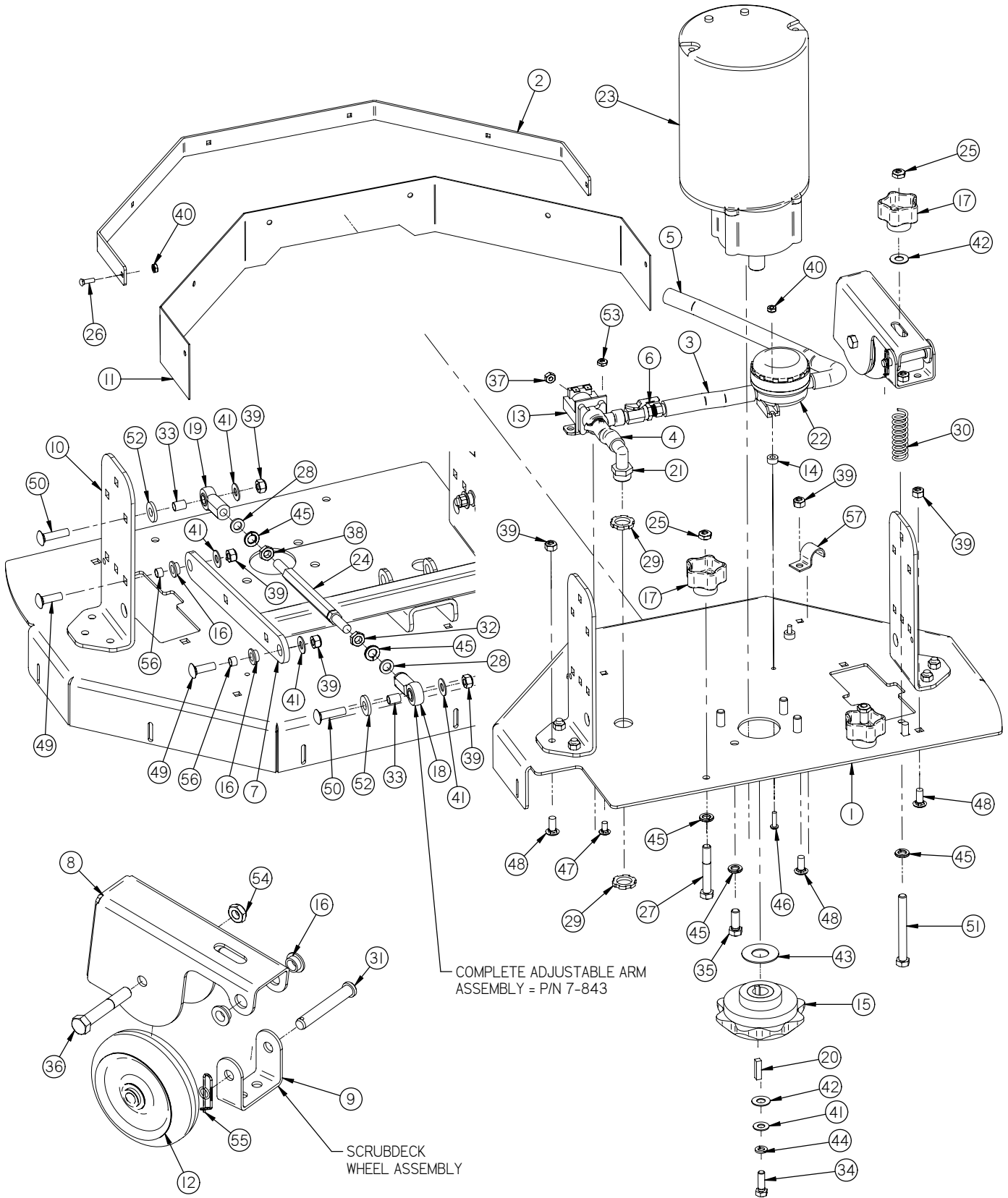


| Item | Part Number | Part Description | Qty |
|------|-------------|--|-----|
| 1 | 170-1125 | DISK DECK PLATFORM, 17" | 1 |
| 2 | 170-1601 | 1/2" ID X 2-3/4" LG WIRE REINF. CLEAR TUBE | 1 |
| 3 | 170-1602 | 1/2" ID X 14" LG WIRE REINF. CLEAR TUBE | 1 |
| 4 | 170-4159 | BALL VALVE, 1/4" W/BARBED FITTING | 1 |
| 5 | 170-9586 | LATERAL ARM | 1 |
| 6 | 190-1030 | DECK WHEEL PIVOT BRACKET | 1 |
| 7 | 190-1035 | DECK WHEEL PIVOT SUPPORT | 1 |
| 8 | 190-3020 | 4.0" WHEEL (RED) | 1 |
| 9 | 190-4500 | ADJUSTABLE SOLUTION FLOW VALVE, WITH 1/4" NPTF | 1 |
| 10 | 21-2211 | SPACER 1/2 OD X 1/4" | 2 |
| 11 | 21-5000 | BRUSH DRIVER | 1 |
| 12 | 21-7600 | SIDE WHEEL (GREY) | 2 |
| 13 | 290-1233 | 3/8" ID, 1/2" OD, 1/4" LG BEARING | 10 |
| 14 | 290-5787 | STAR KNOB, 3/8-24 THREAD | 3 |
| 15 | 5-124 | LATERAL ARM | 2 |
| 16 | 5-431 | 1/4" X 1" KEY | 1 |
| 17 | 5-447 | 1/2 NPT X 1/2" BARB ELBOW | 1 |
| 18 | 5-913 | INLINE FILTER | 1 |
| 19 | 7-222 | MOTOR, 24-V, 3/4 HP, 200 RPM | 1 |
| 20 | H-0171004 | JNYL 3/8- 24 SS | 3 |
| 21 | H-07005 | 1/2" NPT LOCKNUT | 2 |
| 22 | H-111 | SPRING, 1/2" ID X 2-1/2" LG | 1 |
| 23 | H-15675 | CLEVIS PIN, 3/8" X 2-1/2" | 1 |
| 24 | H-70055 | HCS 5/16"- 18 X 1" SS | 1 |
| 25 | H-70105 | HCS 3/8"- 16 X 1" SS | 4 |
| 26 | H-70112 | HCS 3/8"- 16 X 2-1/4" SS | 1 |
| 27 | H-70146 | HCS 3/8"- 24 X 2" SS | 2 |
| 28 | H-70711 | HN 5/16"- 18 SS | 2 |
| 29 | H-70730 | HN 1/4"- 28 SS | 1 |
| 30 | H-70860 | NYLOK 1/4"- 20 SS | 1 |
| 31 | H-70861 | NYLOK 5/16" - 18 SS | 10 |
| 32 | H-70923 | KN #10-32 SS | 2 |
| 33 | H-70925 | KN 1/4-20 S/S | 7 |
| 34 | H-71013 | FW 1/4 ID X 5/8 OD SS | 4 |
| 35 | H-71015 | FW 5/16 ID X 3/4 OD SS | 9 |
| 36 | H-71017 | FW 3/8 ID X 7/8 OD SS | 2 |
| 37 | H-71027 | FW 3/4 ID X 1-3/4 OD SS | 1 |
| 38 | H-71065 | LW 5/16" SS | 3 |
| 39 | H-71067 | LW 3/8" SS | 7 |
| 40 | H-72534 | PPH #10-32 X 3/4" S/S | 2 |
| 41 | H-73780 | BHSCS 5/16-18 X 1 | 2 |
| 42 | H-74396 | CB 1/4"- 20 X 1-3/4" SS | 2 |
| 43 | H-74417 | CB 1/4"- 20 X .5" SS | 3 |
| 44 | H-74418 | CB 1/4"- 20 X 5/8" S/S | 5 |
| 45 | H-74429 | CB 5/16"- 18 X 3/4" SS | 2 |
| 46 | H-74430 | CB 5/16"- 18 X 1" SS | 10 |
| 47 | H-92865A227 | HCS 3/8"- 24 X 3.5" SS | 1 |
| 48 | H-96546 | SPRING, 5" LG X 1/2" OD X .073 WIRE | 2 |
| 49 | H-NJ04C | JNYL 1/4" - 20 SS | 2 |
| 50 | H-NJ05C | JNYL 5/16"- 18 SS | 6 |
| 51 | H-NJ06C | JNYL 3/8- 16 SS | 1 |
| 52 | H-RUE14 | 3/8" RUE RING COTTER | 1 |
| 53 | M-6391K403 | .312 ID X .375 OD X .25 LG BEARING SLEEVE | 8 |
| 54 | M-92825A201 | .325" ID X 3/4" OD X 1/2" LDPE SPACER | 2 |
| 55 | M-9434T27 | 3/4" DIA I HOLE TUBE STRAP | 1 |



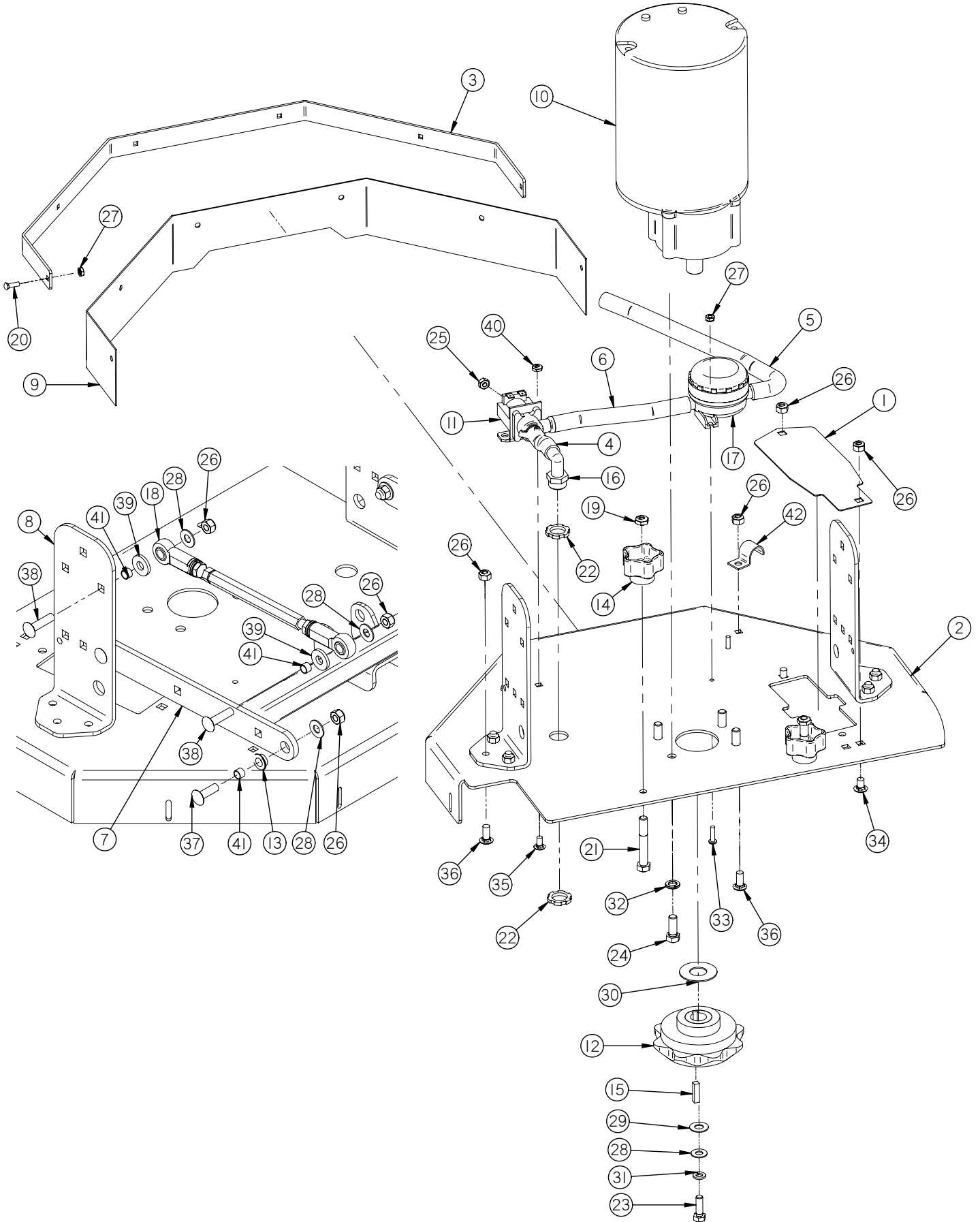
| Item | Part Number | Part Description | Qty |
|------|-------------|--|-----|
| 1 | 170-1030 | DISK DECK COVER PLATE | 1 |
| 2 | 170-1125 | DISK DECK PLATFORM, 17" | 1 |
| 3 | 170-1601 | 1/2" ID X 2-3/4" LG WIRE REINF. CLEAR TUBE | 1 |
| 4 | 170-1602 | 1/2" ID X 14" LG WIRE REINF. CLEAR TUBE | 1 |
| 5 | 170-9586 | LATERAL ARM | 1 |
| 6 | 21-2211 | SPACER 1/2 OD X 1/4" | 2 |
| 7 | 21-2500 | MOTOR 3/4 HP X 270 RPM | 1 |
| 8 | 21-4500 | ADJUSTABLE SOLUTION FLOW VALVE | 1 |
| 9 | 21-5000 | BRUSH DRIVER | 1 |
| 10 | 21-7600 | SIDE WHEEL (GREY) | 2 |
| 11 | 290-1233 | 3/8" ID, 1/2" OD, 1/4" LG BEARING | 8 |
| 12 | 290-5787 | STAR KNOB, 3/8-24 THREAD | 2 |
| 13 | 5-124 | LATERAL ARM | 2 |
| 14 | 5-431 | 1/4" X 1" KEY | 1 |
| 15 | 5-447 | 1/2 NPT X 1/2" BARB ELBOW | 1 |
| 16 | 5-913 | INLINE FILTER | 1 |
| 17 | H-0171004 | JNYL 3/8- 24 SS | 2 |
| 18 | H-07005 | 1/2" NPT LOCKNUT | 2 |
| 19 | H-70055 | HCS 5/16"- 18 X 1" SS | 1 |
| 20 | H-70105 | HCS 3/8"- 16 X 1" SS | 4 |
| 21 | H-70146 | HCS 3/8"- 24 X 2" SS | 2 |
| 22 | H-70711 | HN 5/16"- 18 SS | 2 |
| 23 | H-70730 | HN 1/4"- 28 SS | 1 |
| 24 | H-70860 | NYLOK 1/4"- 20 SS | 1 |
| 25 | H-70861 | NYLOK 5/16" - 18 SS | 10 |
| 26 | H-70923 | KN #10-32 SS | 2 |
| 27 | H-70925 | KN 1/4-20 S/S | 7 |
| 28 | H-71013 | FW 1/4 ID X 5/8 OD SS | 4 |
| 29 | H-71015 | FW 5/16 ID X 3/4 OD SS | 9 |
| 30 | H-71017 | FW 3/8 ID X 7/8 OD SS | 1 |
| 31 | H-71027 | FW 3/4 ID X 1-3/4 OD SS | 1 |
| 32 | H-71065 | LW 5/16" SS | 3 |
| 33 | H-71067 | LW 3/8" SS | 6 |
| 34 | H-72534 | PPH #10-32 X 3/4" S/S | 2 |
| 35 | H-73780 | BHSCS 5/16-18 X 1 | 2 |
| 36 | H-74396 | CB 1/4"- 20 X 1-3/4" SS | 2 |
| 37 | H-74417 | CB 1/4"- 20 X .5" SS | 3 |
| 38 | H-74418 | CB 1/4"- 20 X 5/8" S/S | 7 |
| 39 | H-74430 | CB 5/16"- 18 X 1" SS | 10 |
| 40 | H-96546 | SPRING, 5" LG X 1/2" OD X .073 WIRE | 2 |
| 41 | H-NJ04C | JNYL 1/4" - 20 SS | 2 |
| 42 | H-NJ05C | JNYL 5/16"- 18 SS | 6 |
| 43 | M-6391K403 | .312 ID X .375 OD X .25 LG BEARING SLEEVE | 8 |
| 44 | M-92825A201 | .325" ID X 3/4" OD X 1/2" LDPE SPACER | 2 |
| 45 | M-9434T27 | 3/4" DIA I HOLE TUBE STRAP | 1 |

46 23 Inch Disk Deck-Brush Drive

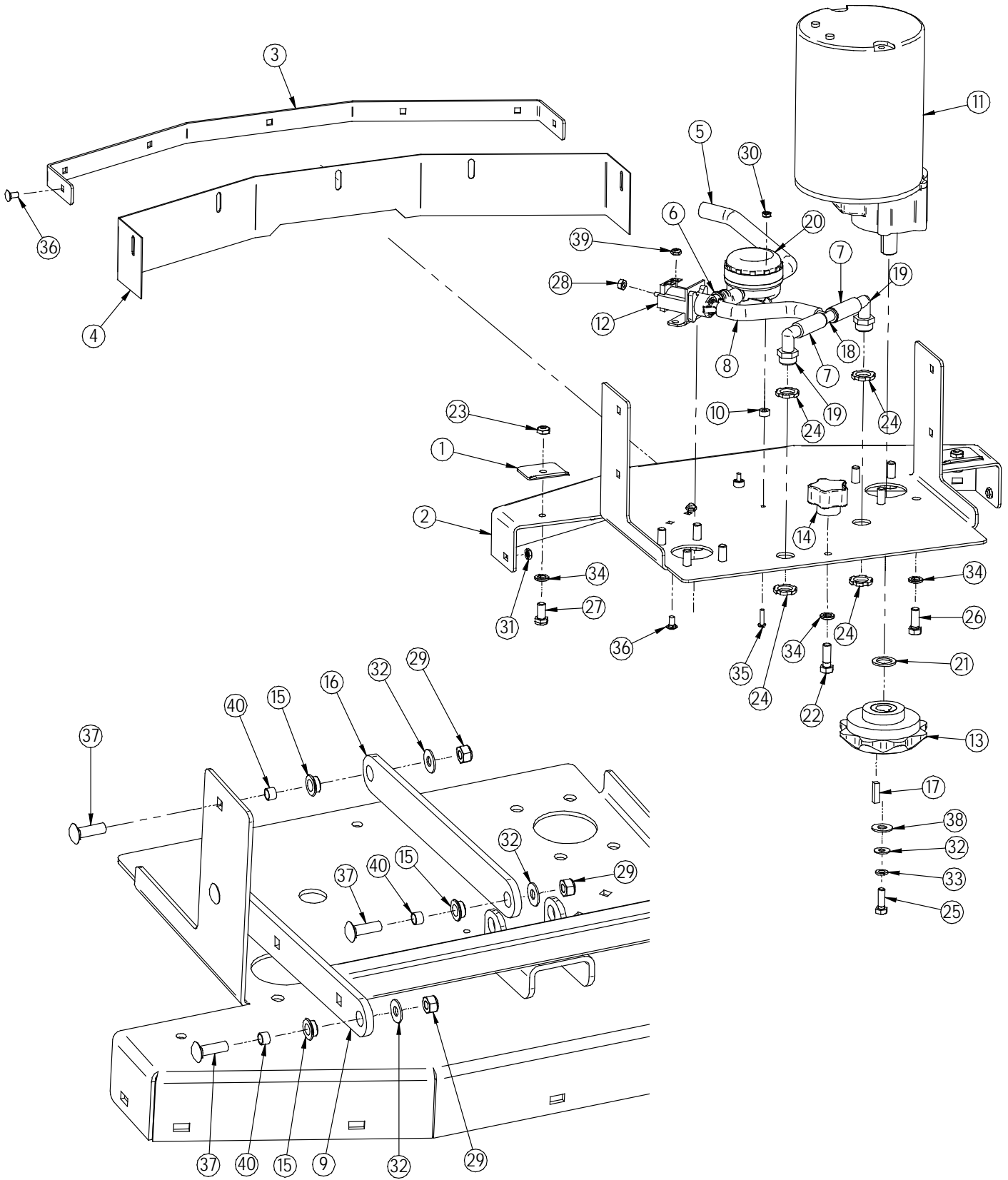


| Item | Part Number | Part Description | Qty |
|------|-------------|--|-----|
| 1 | 170-1160 | DISK DECK PLATFORM, 23" | 1 |
| 2 | 170-1165 | CURTAIN BAND, 23" | 1 |
| 3 | 170-1600 | 1/2" ID X 4-1/2" LG WIRE REINF. CLEAR TUBE | 1 |
| 4 | 170-1601 | 1/2" ID X 2-3/4" LG WIRE REINF. CLEAR TUBE | 1 |
| 5 | 170-1602 | 1/2" ID X 14" LG WIRE REINF. CLEAR TUBE | 1 |
| 6 | 170-4159 | BALL VALVE, 1/4" W/BARBED FITTING | 1 |
| 7 | 170-9586 | LATERAL ARM | 1 |
| 8 | 190-1030 | DECK WHEEL PIVOT BRACKET | 1 |
| 9 | 190-1035 | DECK WHEEL PIVOT SUPPORT | 1 |
| 10 | 190-1115 | 20" LIFT BRACKET | 2 |
| 11 | 190-1176 | 23" DECK CURTAIN, REAR | 1 |
| 12 | 190-3020 | 4.0" WHEEL (RED) | 1 |
| 13 | 190-4500 | ADJUSTABLE SOLUTION FLOW VALVE, WITH 1/4" NPTF | 1 |
| 14 | 21-2211 | SPACER 1/2 OD X 1/4" | 2 |
| 15 | 21-5000 | BRUSH DRIVER | 1 |
| 16 | 290-1233 | 3/8" ID, 1/2" OD, 1/4" LG BEARING | 6 |
| 17 | 290-5787 | STAR KNOB, 3/8-24 THREAD | 3 |
| 18 | 290-9584 | ROD END, 3/8-24 LEFT HAND THREAD | 2 |
| 19 | 290-9585 | ROD END, 3/8-24 RIGHT HAND THREAD | 2 |
| 20 | 5-431 | 1/4" X 1" KEY | 1 |
| 21 | 5-447 | 1/2 NPT X 1/2" BARB ELBOW | 1 |
| 22 | 5-913 | INLINE FILTER | 1 |
| 23 | 7-222 | MOTOR, 24-V, 3/4 HP, 200 RPM | 1 |
| 24 | 7-842 | ADJUSTABLE LATERAL ARM BODY | 2 |
| 25 | H-0171004 | JNYL 3/8- 24 SS | 3 |
| 26 | H-0172519 | CB #10-32 X 5/8" SS | 6 |
| 27 | H-0172951 | HCS 3/8"- 24 X 2 1/2" S/S | 2 |
| 28 | H-02949 | 3/8 ID X 5/8 OD SHIM | 4 |
| 29 | H-07005 | 1/2" NPT LOCKNUT | 2 |
| 30 | H-1111 | SPRING, 1/2" ID X 2-1/2" LG | 1 |
| 31 | H-15675 | CLEVIS PIN, 3/8" X 2-1/2" | 1 |
| 32 | H-36956 | LH HX JAM .375-24 SS | 2 |
| 33 | H-63913 | .312 ID X .375 OD X .50 LG BEARING SLEEVE | 4 |
| 34 | H-70055 | HCS 5/16"- 18 X 1" SS | 1 |
| 35 | H-70105 | HCS 3/8"- 16 X 1" SS | 4 |
| 36 | H-70112 | HCS 3/8"- 16 X 2-1/4" SS | 1 |
| 37 | H-70710 | HN 1/4"- 20 SS | 1 |
| 38 | H-70832 | HX JAM .375-24 SS | 2 |
| 39 | H-70861 | NYLOK 5/16" - 18 SS | 17 |
| 40 | H-70923 | KN #10-32 SS | 8 |
| 41 | H-71015 | FW 5/16 ID X 3/4 OD SS | 9 |
| 42 | H-71017 | FW 3/8 ID X 7/8 OD SS | 2 |
| 43 | H-71027 | FW 3/4 ID X 1-3/4 OD SS | 1 |
| 44 | H-71065 | LW 5/16" SS | 1 |
| 45 | H-71067 | LW 3/8" SS | 11 |
| 46 | H-72534 | PPH #10-32 X 3/4" S/S | 2 |
| 47 | H-74417 | CB 1/4"- 20 X .5" SS | 2 |
| 48 | H-74429 | CB 5/16"- 18 X 3/4" SS | 9 |
| 49 | H-74430 | CB 5/16"- 18 X 1" SS | 4 |
| 50 | H-74431 | CB 5/16"- 18 X 1-1/4" SS | 4 |
| 51 | H-92865A227 | HCS 3/8"- 24 X 3.5" SS | 1 |
| 52 | H-98025 | FW 3/8" GRADE 8 | 4 |
| 53 | H-NJ04C | JNYL 1/4" - 20 SS | 2 |
| 54 | H-NJ06C | JNYL 3/8- 16 SS | 1 |
| 55 | H-RUE14 | 3/8" RUE RING COTTER | 1 |
| 56 | M-6391K403 | .312 ID X .375 OD X .25 LG BEARING SLEEVE | 4 |
| 57 | M-9434T27 | 3/4" DIA I HOLE TUBE STRAP | 1 |

48 23 Inch Disk Deck-Traction Drive

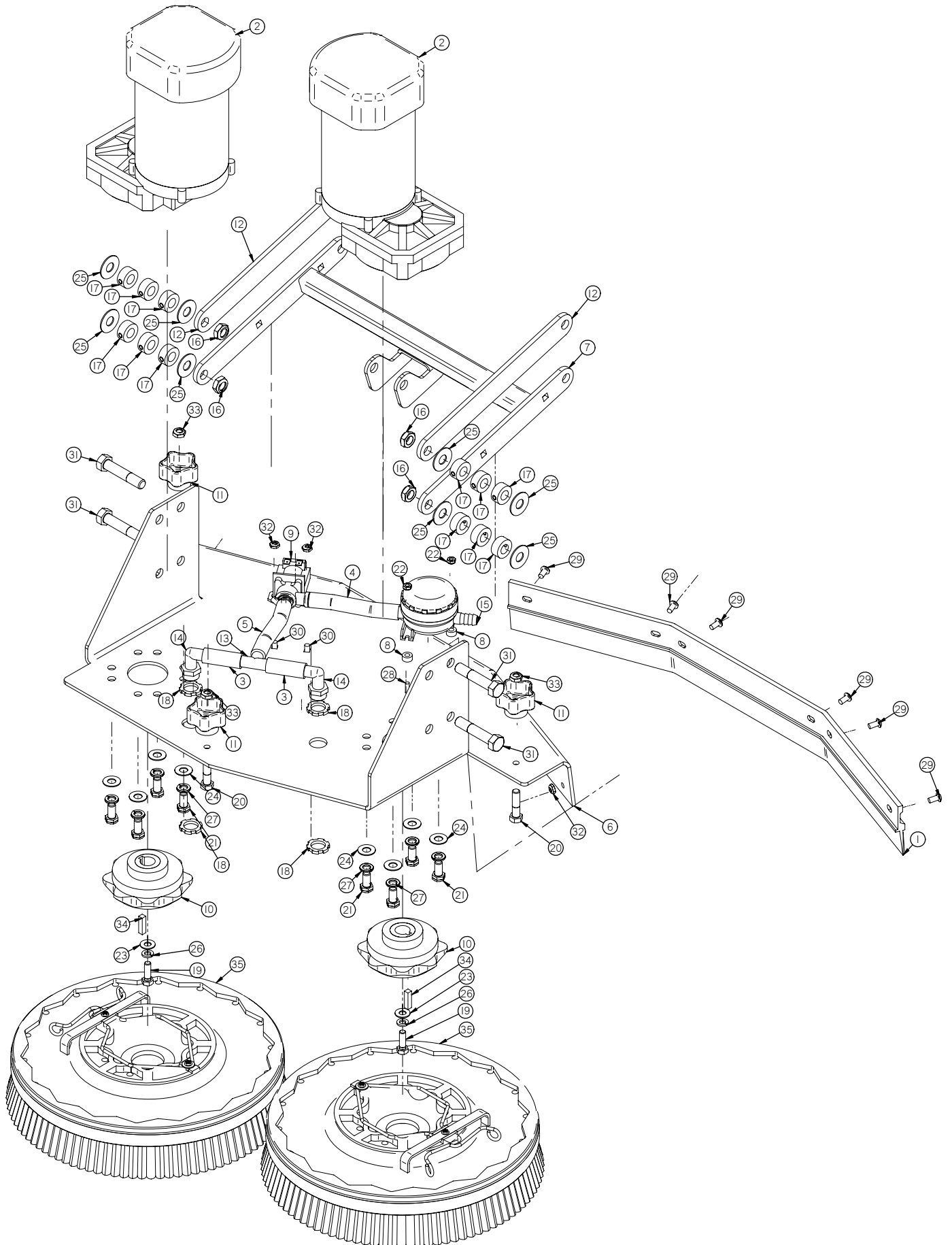


| Item | Part Number | Part Description | Qty |
|------|-------------|--|-----|
| 1 | 170-1030 | DISK DECK COVER PLATE | 1 |
| 2 | 170-1160 | DISK DECK PLATFORM, 23" | 1 |
| 3 | 170-1165 | CURTAIN BAND, 23" | 1 |
| 4 | 170-1601 | 1/2" ID X 2-3/4" LG WIRE REINF. CLEAR TUBE | 1 |
| 5 | 170-1602 | 1/2" ID X 14" LG WIRE REINF. CLEAR TUBE | 1 |
| 6 | 170-1620 | 1/2 ID X 6-3/4" LG WIRE REINF. CLEAR TUBE | 1 |
| 7 | 170-9586 | LATERAL ARM | 1 |
| 8 | 190-1115 | 20" LIFT BRACKET | 2 |
| 9 | 190-1176 | 23" DECK CURTAIN, REAR | 1 |
| 10 | 21-2500 | MOTOR 3/4 HP X 270 RPM | 1 |
| 11 | 21-4500 | ADJUSTABLE SOLUTION FLOW VALVE | 1 |
| 12 | 21-5000 | BRUSH DRIVER | 1 |
| 13 | 290-1233 | 3/8" ID, 1/2" OD, 1/4" LG BEARING | 4 |
| 14 | 290-5787 | STAR KNOB, 3/8-24 THREAD | 2 |
| 15 | 5-431 | 1/4" X 1" KEY | 1 |
| 16 | 5-447 | 1/2 NPT X 1/2" BARB ELBOW | 1 |
| 17 | 5-913 | INLINE FILTER | 1 |
| 18 | 7-843 | ADJUSTABLE LATERAL ARM | 2 |
| 19 | H-0171004 | JNYL 3/8- 24 SS | 2 |
| 20 | H-0172519 | CB #10-32 X 5/8" SS | 6 |
| 21 | H-0172951 | HCS 3/8"- 24 X 2 1/2" S/S | 2 |
| 22 | H-07005 | 1/2" NPT LOCKNUT | 2 |
| 23 | H-70055 | HCS 5/16"- 18 X 1" SS | 1 |
| 24 | H-70105 | HCS 3/8"- 16 X 1" SS | 4 |
| 25 | H-70730 | HN 1/4"- 28 SS | 1 |
| 26 | H-70861 | NYLOK 5/16" - 18 SS | 17 |
| 27 | H-70923 | KN #10-32 SS | 8 |
| 28 | H-71015 | FW 5/16 ID X 3/4 OD SS | 9 |
| 29 | H-71017 | FW 3/8 ID X 7/8 OD SS | 1 |
| 30 | H-71027 | FW 3/4 ID X 1-3/4 OD SS | 1 |
| 31 | H-71065 | LW 5/16" SS | 1 |
| 32 | H-71067 | LW 3/8" SS | 6 |
| 33 | H-72534 | PPH #10-32 X 3/4" S/S | 2 |
| 34 | H-744?? | CB 5/16"- 18 X 1/2" SS | 2 |
| 35 | H-74417 | CB 1/4"- 20 X .5" SS | 2 |
| 36 | H-74429 | CB 5/16"- 18 X 3/4" SS | 7 |
| 37 | H-74430 | CB 5/16"- 18 X 1" SS | 4 |
| 38 | H-74431 | CB 5/16"- 18 X 1-1/4" SS | 4 |
| 39 | H-98025 | FW 3/8" GRADE 8 | 4 |
| 40 | H-NJ04C | JNYL 1/4" - 20 SS | 2 |
| 41 | M-6391K403 | .312 ID X .375 OD X .25 LG BEARING SLEEVE | 8 |
| 42 | M-9434T27 | 3/4" DIA I HOLE TUBE STRAP | 1 |

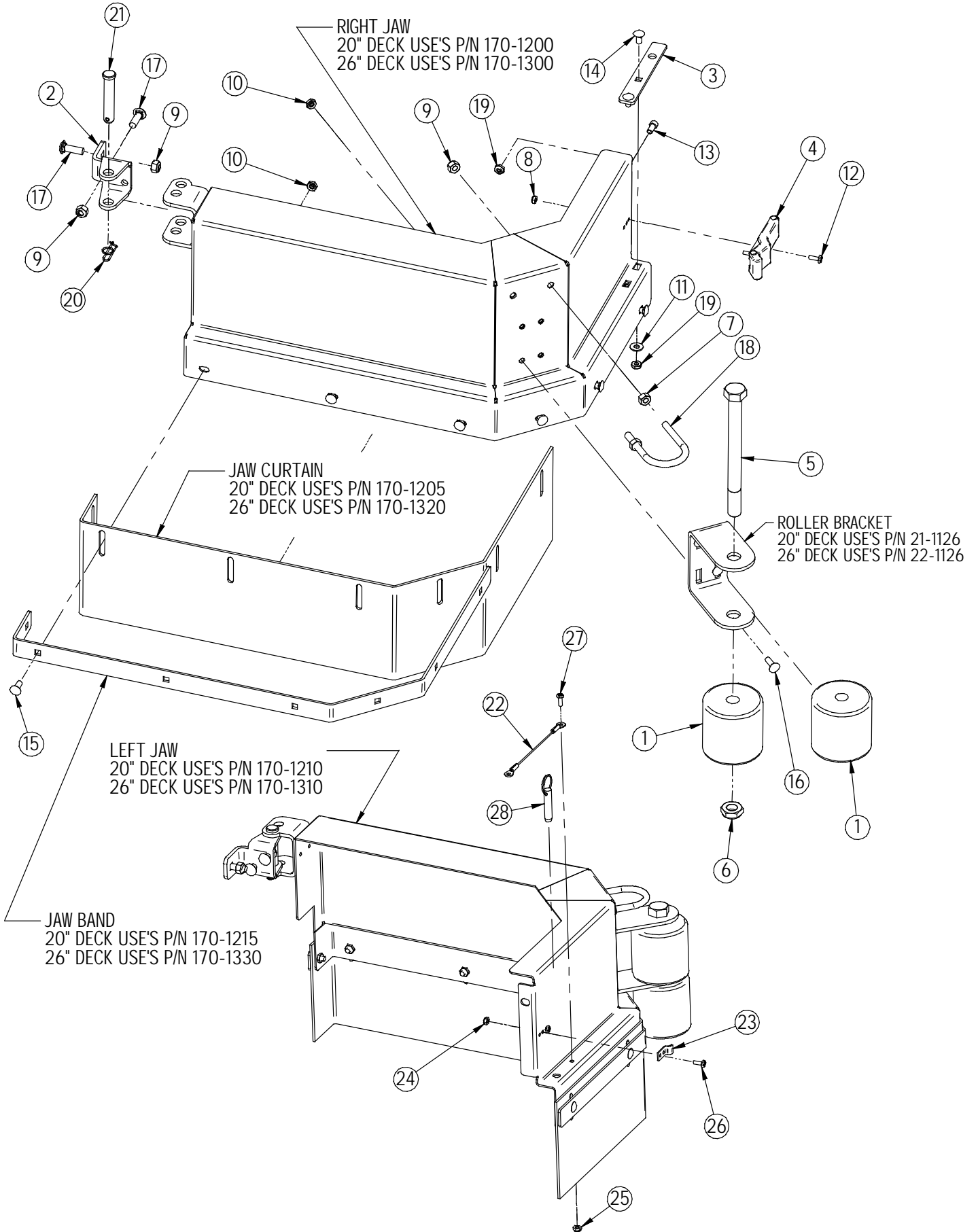


| Item | Part Number | Part Description | Qty |
|------|-------------|--|-----|
| 1 | 170-1111 | SHROUD PLATE | 2 |
| 2 | 170-1150 | DISK DECK PLATFORM, 26" | 1 |
| 3 | 170-1155 | CURTAIN BAND, 26" | 1 |
| 4 | 170-1168 | DISK DECK CURTAIN, 26" | 1 |
| 5 | 170-1602 | 1/2" ID X 14" LG WIRE REINF. CLEAR TUBE | 1 |
| 6 | 170-1605 | 1/2" ID X 2" LG WIRE REINF. CLEAR TUBE | 1 |
| 7 | 170-1606 | 1/2" ID X 2-1/2" LG WIRE REINF. CLEAR TUBE | 2 |
| 8 | 170-1609 | 1/2" ID X 5-1/2" LG WIRE REINF. CLEAR TUBE | 1 |
| 9 | 170-9586 | LATERAL ARM | 1 |
| 10 | 21-2211 | SPACER 1/2 OD X 1/4" | 2 |
| 11 | 21-2500 | MOTOR 3/4 HP X 270 RPM | 2 |
| 12 | 21-4500 | ADJUSTABLE SOLUTION FLOW VALVE | 1 |
| 13 | 21-5000 | BRUSH DRIVER | 2 |
| 14 | 21-7205 | STAR KNOB | 1 |
| 15 | 290-1233 | 3/8" ID, 1/2" OD, 1/4" LG BEARING | 8 |
| 16 | 5-124 | LATERAL ARM | 2 |
| 17 | 5-431 | 1/4" X 1" KEY | 2 |
| 18 | 5-446 | 1/2" PLASTIC BARB TEE | 1 |
| 19 | 5-447 | 1/2 NPT X 1/2" BARB ELBOW | 2 |
| 20 | 5-913 | INLINE FILTER | 1 |
| 21 | H-00222 | FW 3/4 X 1 1/8 X 3/32 SS | 2 |
| 22 | H-01219 | HCS 3/8"- 24 X 1 1/8" SS | 1 |
| 23 | H-0171004 | JNYL 3/8- 24 SS | 2 |
| 24 | H-07005 | 1/2" NPT LOCKNUT | 4 |
| 25 | H-70055 | HCS 5/16"- 18 X 1" SS | 2 |
| 26 | H-70105 | HCS 3/8"- 16 X 1" SS | 8 |
| 27 | H-70141 | HCS 3/8"-24 X 3/4" SS | 2 |
| 28 | H-70730 | HN 1/4"- 28 SS | 1 |
| 29 | H-70861 | NYLOK 5/16" - 18 SS | 8 |
| 30 | H-70923 | KN #10-32 SS | 2 |
| 31 | H-70925 | KN 1/4-20 S/S | 5 |
| 32 | H-71015 | FW 5/16" X 3/4" SAE SS | 10 |
| 33 | H-71065 | LW 5/16" SS | 2 |
| 34 | H-71067 | LW 3/8" SS | 11 |
| 35 | H-72534 | PPH #10-32 X 3/4" S/S | 2 |
| 36 | H-74417 | CB 1/4"- 20 X .5" SS | 7 |
| 37 | H-74430 | CB 5/16"- 18 X 1" SS | 8 |
| 38 | H-99001 | FW 3/8" SS | 2 |
| 39 | H-NJ04C | JNYL 1/4" - 20 SS | 2 |
| 40 | M-6391K403 | .312 ID X .375 OD X .25 LG BEARING SLEEVE | 8 |

52 28 Inch Disk Deck-Traction Drive

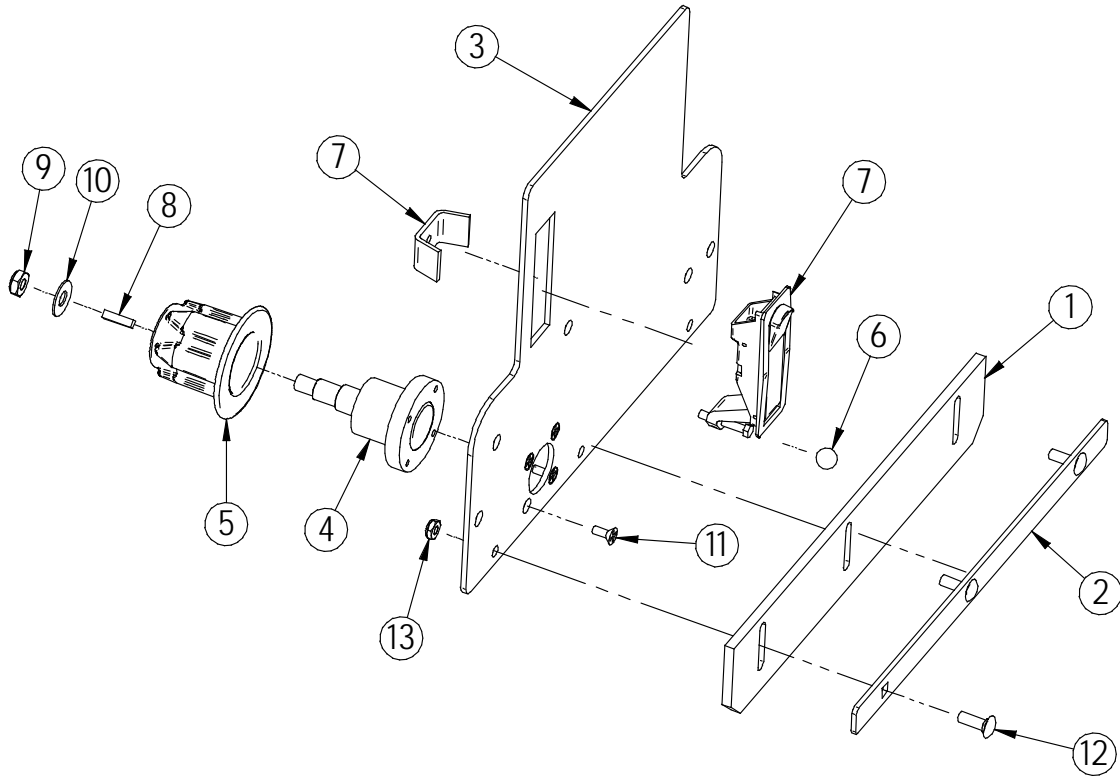


| Item | Part No. | Part Description | Qty. |
|------|-----------------------|--|------|
| 1 | 170-0018 | DECK SKIRT | 1 |
| 2 | 170-0211 | MOTOR, 24V, 3/4 HP, 270 RPM | 2 |
| 3 | 170-1606 | 1/2" ID X 2" LG WIRE REINF. CLEAR TUBE | 2 |
| 4 | 170-1609 | 1/2" ID X 5-1/2" LG WIRE REINF. CLEAR TUBE | 1 |
| 5 | 170-1609 | 1/2" ID X 5-1/2" LG WIRE REINF. CLEAR TUBE | 1 |
| 6 | 170-2050 | DISK DECK PLATFORM, 28" | 1 |
| 7 | 170-9586 | LATERAL ARM | 1 |
| 8 | 21-2211 | SPACER 1/2 OD X 1/4" | 2 |
| 9 | 21-4500 | ADJUSTABLE SOLUTION FLOW VALVE | 1 |
| 10 | 21-5000 | BRUSH DRIVER | 2 |
| 11 | 290-5786 | STAR KNOB, 3/8-16 THREAD | 3 |
| 12 | 5-124 | LATERAL ARM | 2 |
| 13 | 5-446 | 1/2 " PLASTIC BARB TEE | 1 |
| 14 | 5-447 | 1/2 NPT X 1/2" BARB ELBOW | 2 |
| 15 | 5-913 | INLINE FILTER | 2 |
| 16 | H-0129159 | JNYL, 1/2"-13, 18-8 SS | 4 |
| 17 | H-03660 | .50 ID SHAFT COLLAR WITH SET SCREW | 12 |
| 18 | H-07005 | 1/2" NPT LOCKNUT | 4 |
| 19 | H-70055 | HCS 5/16"- 18 X 1" SS | 2 |
| 20 | H-70109 | HCS 3/8"- 16 X 1-1/2" SS | 3 |
| 21 | H-70141 | HCS 3/8"-24 X 3/4" SS | 8 |
| 22 | H-70923 | KN #10-32 SS | 2 |
| 23 | H-71015 | FW 5/16 ID X 3/4 OD SS | 2 |
| 24 | H-71017 | FW 3/8 ID X 7/8 OD SS | 8 |
| 25 | H-71021 | FW 1/2 ID X 1-1/4 OD SS | 16 |
| 26 | H-71065 | LW 5/16" SS | 2 |
| 27 | H-71067 | LW 3/8" SS | 8 |
| 28 | H-72534 | PPH #10-32 X 3/4" S/S | 2 |
| 29 | H-73752 | BHSCS 1/4 - 20 X 1/2" SS | 6 |
| 30 | H-74417 | CB 1/4"- 20 X .5" SS | 2 |
| 31 | H-77213 | HCS 1/2"-13 X 2-1/2" SS | 4 |
| 32 | H-NJ04C | JNYL 1/4" - 20 SS | 8 |
| 33 | H-NJ06C | JNYL 3/8- 16 SS | 3 |
| 34 | INCL. W/MOTOR | 1/4" X 1" KEY | 2 |
| 35 | SEE COMMON WEAR PARTS | DISK BRUSH | 2 |

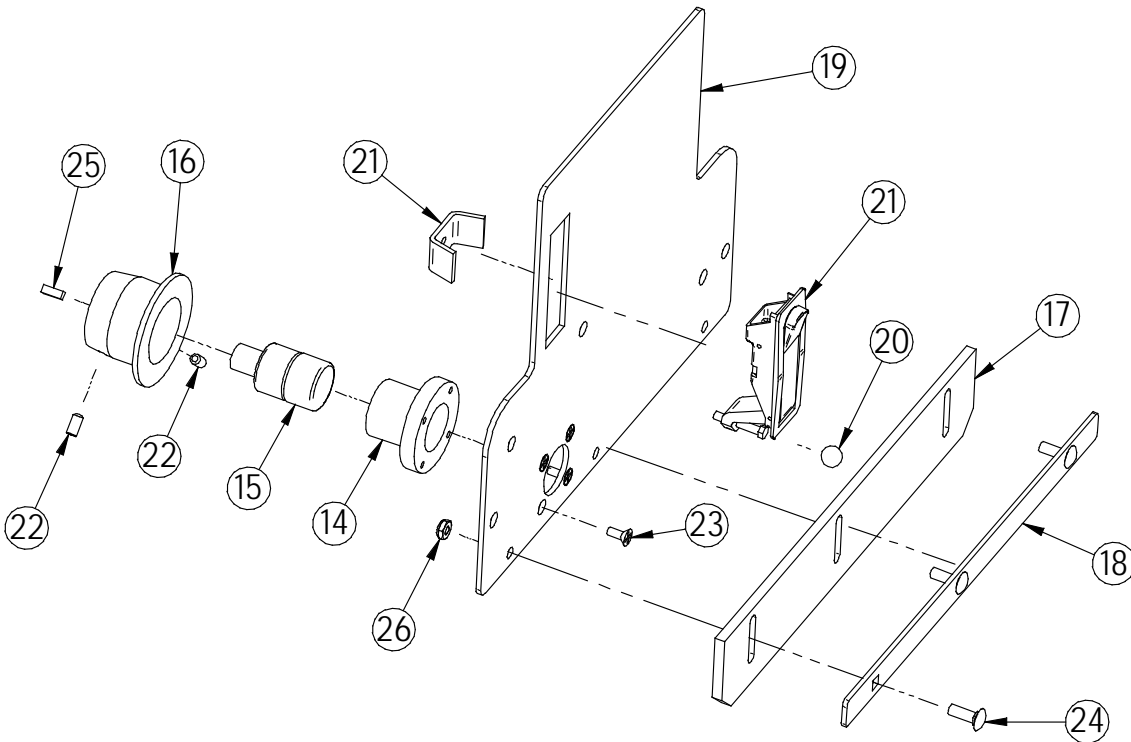


| Item | Part Number | Part Description | Qty |
|------|-------------|----------------------------|-----|
| 1 | 21-1127 | ROLLER | 2 |
| 2 | 253-1160 | JAW HINGE, INNER | 1 |
| 3 | 253-1350 | JAW LOCK | 1 |
| 4 | 4-124 | LATCH | 1 |
| 5 | H-13327 | HB 5/8"- 11 X 7.0" | 1 |
| 6 | H-37038 | JNYL 5/8"- 11 | 1 |
| 7 | H-70711 | HN 5/16"- 18 SS | 2 |
| 8 | H-70856 | NYLOK #8-32 SS | 2 |
| 9 | H-70861 | NYLOK 5/16" - 18 SS | 5 |
| 10 | H-70925 | KN 1/4-20 S/S | 11 |
| 11 | H-71013 | FNW 1/4" X 5/8" SS | 2 |
| 12 | H-72398 | PPH #8-32 X 1/2" S/S | 2 |
| 13 | H-73459 | SHCS 1/4-20 X 1/2 SS | 1 |
| 14 | H-74417 | CB 1/4"- 20 X .5" SS | 2 |
| 15 | H-74418 | CB 1/4"- 20 X 5/8" S/S | 7 |
| 16 | H-74419 | CB 1/4"- 20 X .75" SS | 4 |
| 17 | H-74430 | CB 5/16"- 18 X 1" SS | 3 |
| 18 | H-74631 | 5/16-18 X 2 1/4" SS U BOLT | 1 |
| 19 | H-NJ04C | JNYL 1/4" - 20 SS | 3 |
| 20 | H-RUE22 | 1/2" RUE RING COTTER | 1 |
| 21 | H-ZCP234 | 1/2" X 2 5/8" CLEVIS PIN | 1 |
| 22 | 21-4060 | 6" LANYARD | 1 |
| 23 | 4-124 | CLIP, LATCH | 1 |
| 24 | H-70856 | NYLOK #8-32 SS | 2 |
| 25 | H-70858 | NYLOK #10-32 SS | 1 |
| 26 | H-72398 | PPH #8-32 X 1/2" S/S | 2 |
| 27 | H-72515 | PPH #10-32 X 1/2" S/S | 1 |
| 28 | H-ZCP142 | DET RING PIN, 3/8" X 1" | 1 |

"NEW STYLE" DOOR ASSEMBLY SERIAL #50000 & GREATER



"OLD STYLE" DOOR ASSEMBLY PRIOR TO SERIAL #50000



"NEW STYLE" DOOR ASSEMBLY SERIAL #50000 & GREATER

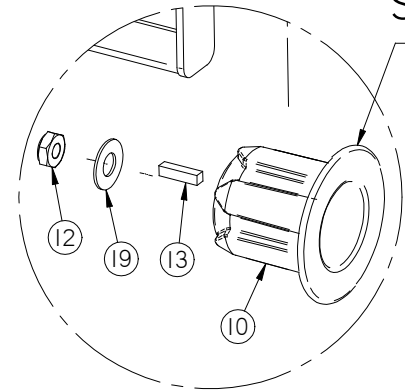
| Item | Part Number | Part Description | Qty |
|------|-------------|--------------------------------|-----|
| 1 | 253-9010 | CYLINDRICAL WIPER | 1 |
| 2 | 253-9015 | WIPER BAND | 1 |
| 3 | 253-9022 | DRIVE COVER | 1 |
| 4 | 370-8241A | IDLER DRIVE BEARING | 1 |
| 5 | 370-8370 | BRUSH DRIVER/IDLER (NEW STYLE) | 1 |
| 6 | 5-100 | GROMMET | 1 |
| 7 | 5-130 | DOOR LATCH | 1 |
| 8 | H-00270 | 3/16" X 3/4" KEY | 1 |
| 9 | H-0171004 | JNYL 3/8- 24 SS | 1 |
| 10 | H-71017 | FW 3/8" X 7/8" SS | 1 |
| 11 | H-72682 | FHP #10-32 X 1/2" SS | 4 |
| 12 | H-74419 | CB 1/4"- 20 X .75" SS | 3 |
| 13 | H-NJ04C | JNYL 1/4" - 20 SS | 3 |

"OLD STYLE" DOOR ASSEMBLY PRIOR TO SERIAL #50000

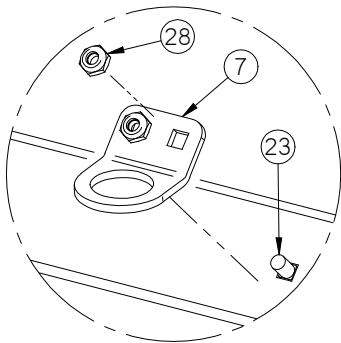
| Item | Part Number | Part Description | Qty |
|------|-------------|-------------------------------|-----|
| 14 | 1-305 | BEARING HOUSING | 1 |
| 15 | 253-8241 | IDLER BEARING | 1 |
| 16 | 253-8370 | CYLINDRICAL BRUSH IDLER | 1 |
| 17 | 253-9010 | CYLINDRICAL WIPER | 1 |
| 18 | 253-9015 | WIPER BAND | 1 |
| 19 | 253-9022 | DRIVE COVER | 1 |
| 20 | 5-100 | GROMMET | 1 |
| 21 | 5-130 | DOOR LATCH | 1 |
| 22 | H-25382 | SETSCREW, KCP, 1/4"-20 X 1/2" | 2 |
| 23 | H-72682 | FHP #10-32 X 1/2" SS | 4 |
| 24 | H-74419 | CB 1/4"- 20 X .75" SS | 3 |
| 25 | H-K1432 | 3/16" X 1/2" KEY | 1 |
| 26 | H-NJ04C | JNYL 1/4" - 20 SS | 3 |

SERIAL #50000 & GREATER

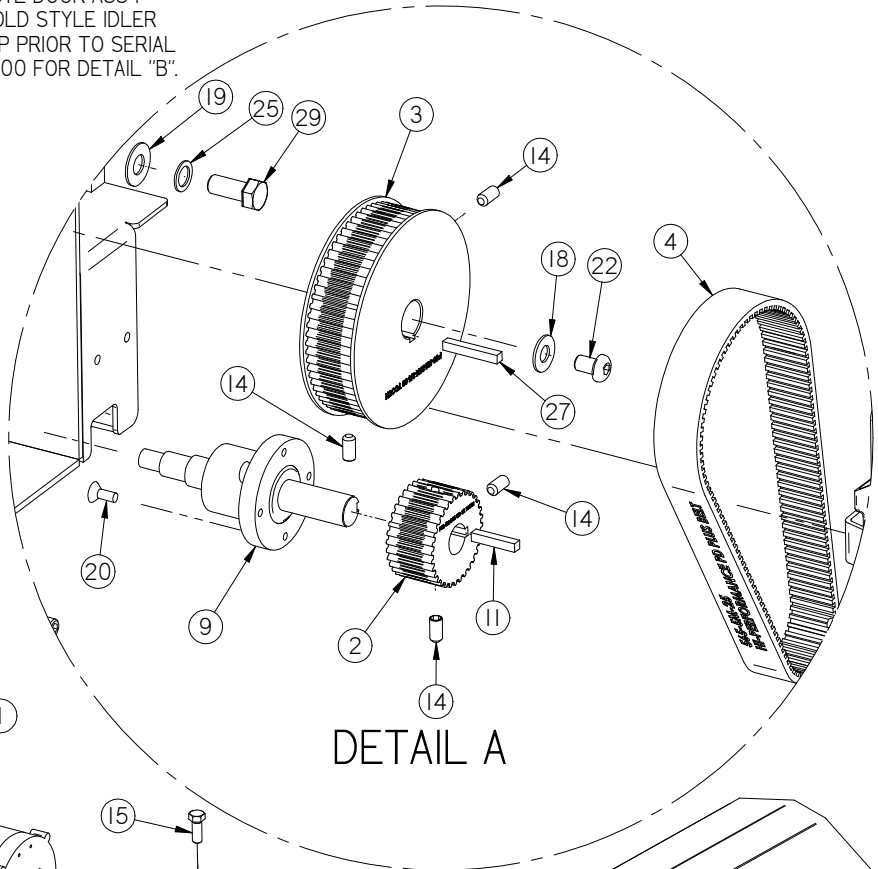
NOTE:
SEE CYL DOOR ASSY
FOR OLD STYLE IDLER
SETUP PRIOR TO SERIAL
#50000 FOR DETAIL "B".



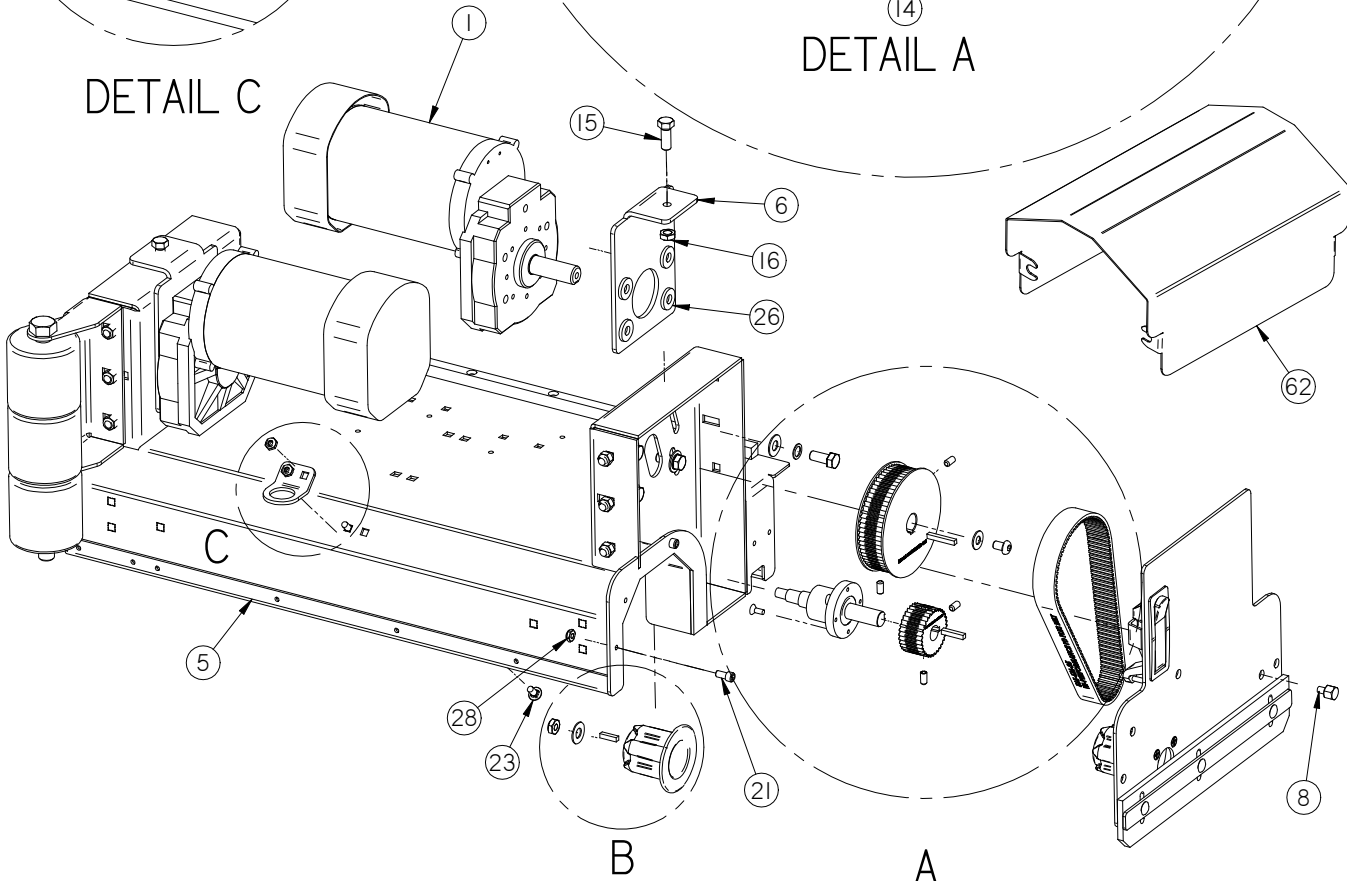
DETAIL B



DETAIL C



DETAIL A



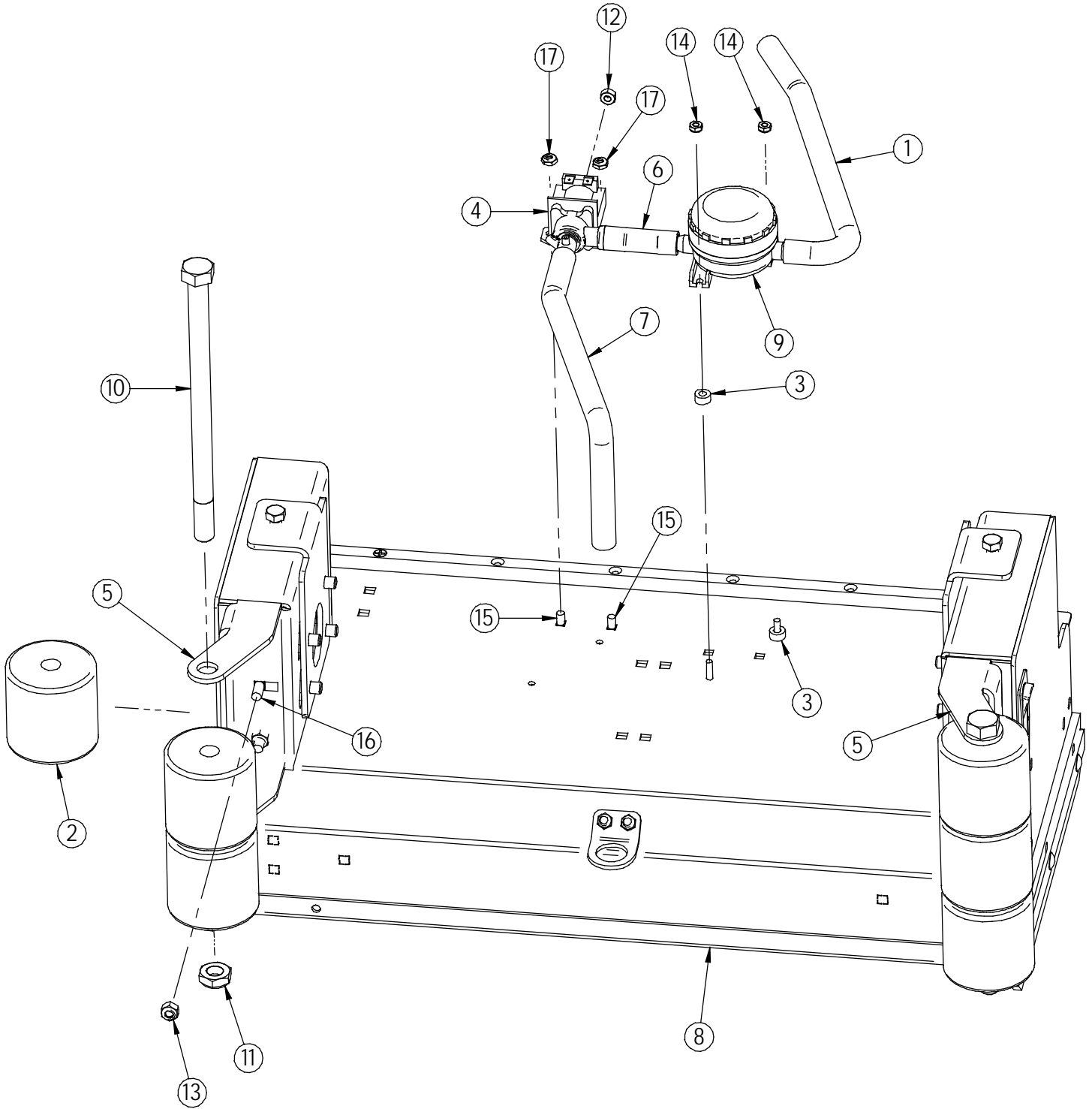
B

A

SERIAL #50000 & GREATER

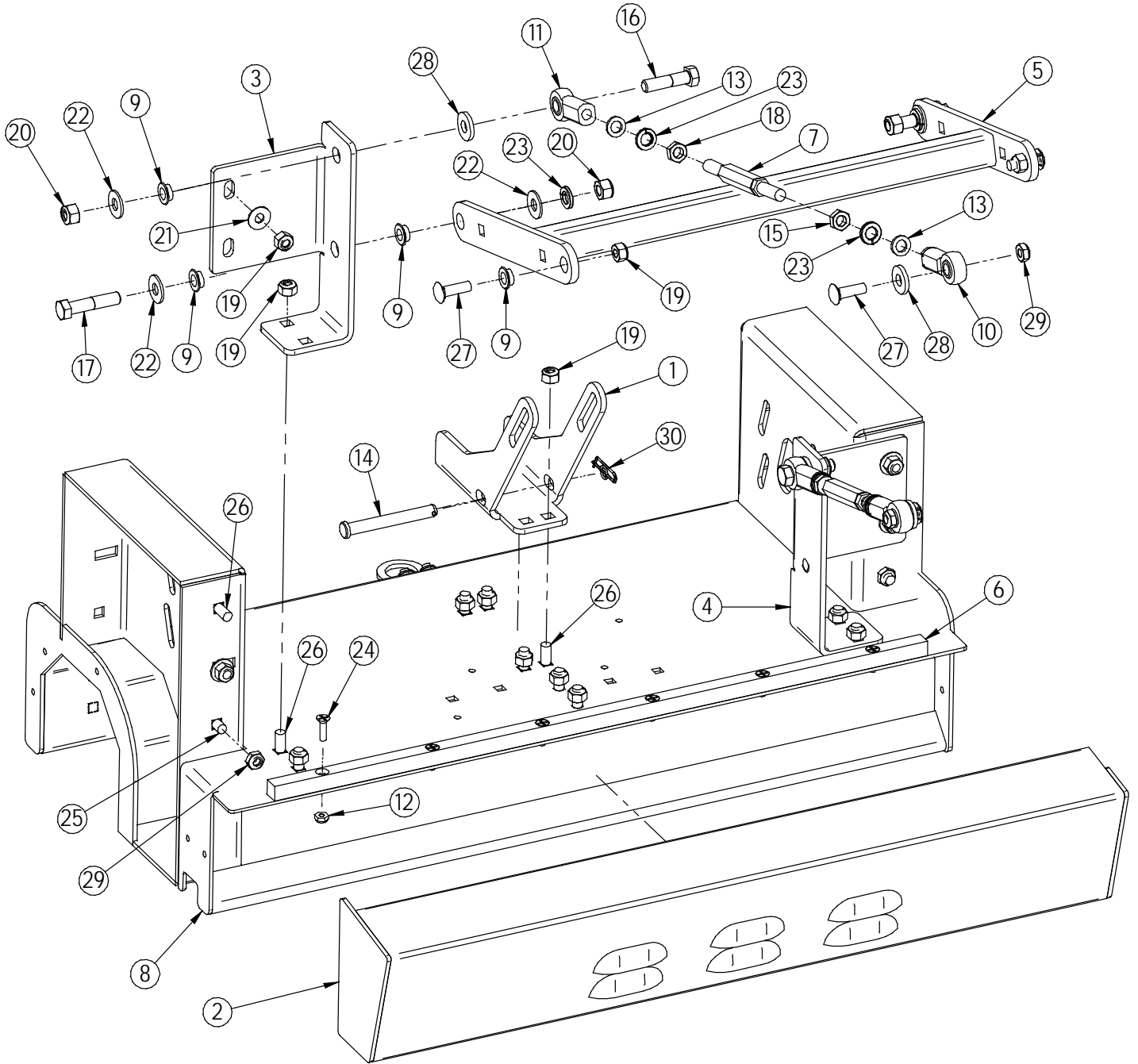
| Item | Part Number | Part Description | Qty |
|------|-------------|--|-----|
| 1 | 253-211 | MOTOR, 24V, 3/4 HP, 350 RPM | 2 |
| 2 | 253-8215 | TIMING SPROCKET 32 TOOTH | 2 |
| 3 | 253-8225 | TIMING SPROCKET 68 TOOTH | 2 |
| 4 | 253-8230 | 565-5M-25 HI-PERFORMANCE PD PLUS BELT | 2 |
| 5 | 253-9000 | CYLINDRICAL BRUSHHEAD, 24" | 1 |
| 6 | 253-9002 | MOTOR ADJ BRACKET | 2 |
| 7 | 253-9003 | QUICK DISCONNECT BRACKET | 1 |
| 8 | 253-9024 | THUMB SCREW | 2 |
| 9 | 370-8240A | BEARING HOUSING/BEARING | 2 |
| 10 | 370-8370 | BRUSH DRIVER/IDLER (NEW STYLE) | 2 |
| 11 | H-01125 | 3/16" X 1" KEY | 2 |
| 12 | H-0171004 | JNYL 3/8- 24 SS | 2 |
| 13 | H-0953152 | 3/16" X 3/4" KEY | 2 |
| 14 | H-25382 | SETSCREW, KCP, 1/4"-20 X 1/2" | 8 |
| 15 | H-70142 | HCS 3/8"- 24 X 1" S/S | 2 |
| 16 | H-70832 | HX JAM .375-24 SS | 2 |
| 17 | H-70861 | NYLOK 5/16" - 18 SS | 5 |
| 18 | H-71015 | FW 5/16 ID X 3/4 OD SS | 2 |
| 19 | H-71017 | FW 3/8 ID X 7/8 OD SS | 10 |
| 20 | H-72682 | FHP #10-32 X 1/2" SS | 8 |
| 21 | H-73459 | SHCS 1/4-20 X 1/2 SS | 4 |
| 22 | H-73777 | BHSCS 5/16-18 X 1/2" | 2 |
| 23 | H-74417 | CB 1/4"- 20 X .5" SS | 2 |
| 24 | H-74429 | CB 5/16"- 18 X 3/4" SS | 5 |
| 25 | H-90895 | WASHER, SERRATED BELLEVILLE, 3/8", S/S | 8 |
| 26 | H-98025 | FW 3/8" GRADE 8 | 10 |
| 27 | H-K14320 | 3/16" X 1 1/4" KEY | 2 |
| 28 | H-NJ04C | JNYL 1/4" - 20 SS | 2 |
| 29 | M-92865A214 | HCS 3/8"-24 X 7/8" SS | 6 |

NOTE: SEE COMMON WEAR PARTS PAGE FOR BRUSH SELECTION.



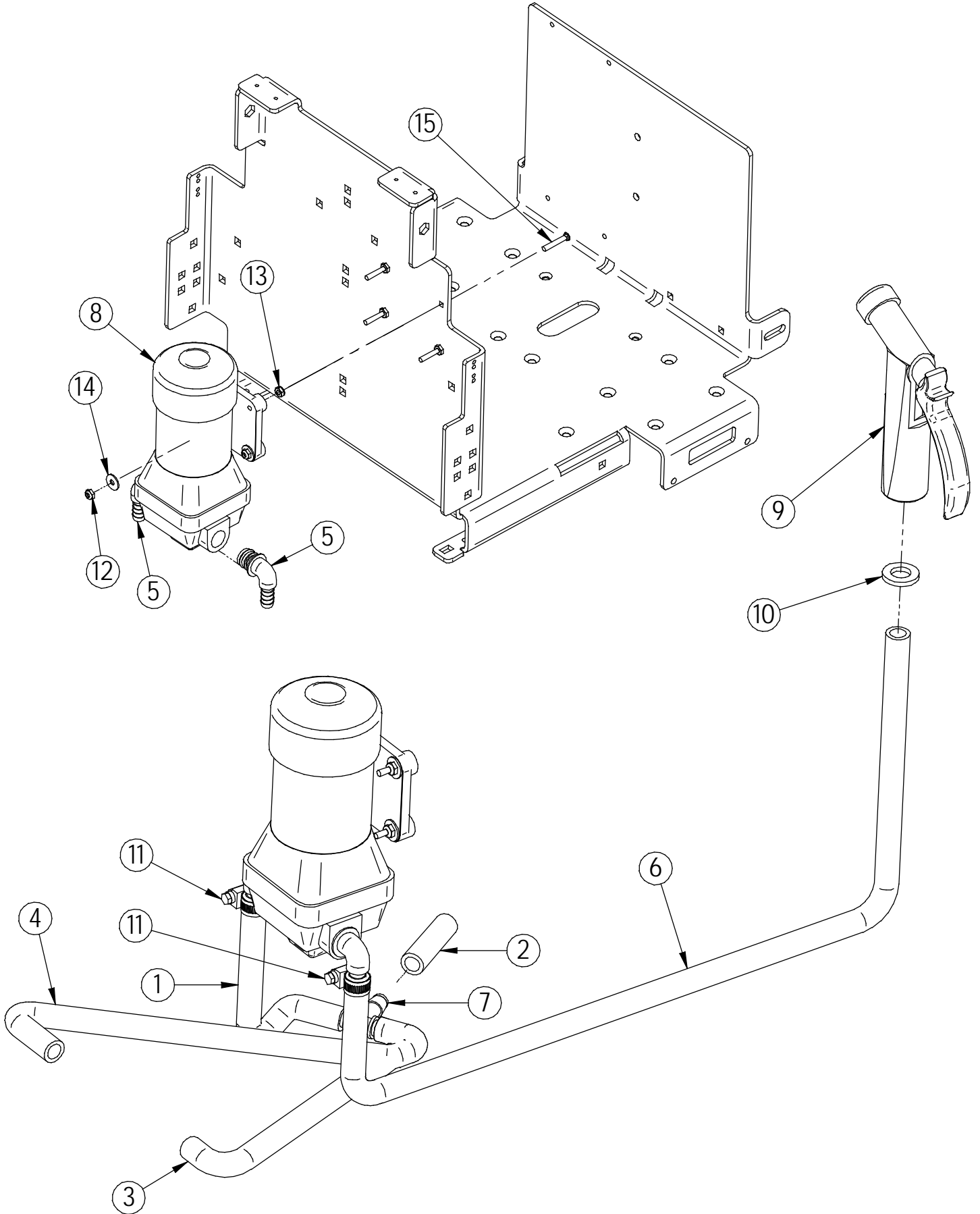
| Item | Part Number | Part Description | Qty |
|------|-------------|---|-----|
| 1 | 170-1615 | 1/2" ID X 16" LG WIRE REINF. CLEAR TUBE | 1 |
| 2 | 21-1127 | ROLLER | 6 |
| 3 | 21-2211 | SPACER 1/2 OD X 1/4" | 2 |
| 4 | 21-4500 | ADJUSTABLE SOLUTION FLOW VALVE | 1 |
| 5 | 253-1128 | ROLLER BRACKET | 2 |
| 6 | 253-1606 | 1/2" ID X 2-3/4" LG WIRE REINF. CLEAR TUBE | 1 |
| 7 | 253-1607 | 1/2" ID X 12-1/4" LG WIRE REINF. CLEAR TUBE | 1 |
| 8 | 253-9000 | CYLINDRICAL BRUSHHEAD, 24" | 1 |
| 9 | 5-913 | INLINE FILTER | 1 |
| 10 | H-11333 | HB 5/8" - 11 X 10" | 2 |
| 11 | H-37038 | JNYL 5/8" - 11 | 2 |
| 12 | H-70730 | HN 1/4" - 28 SS | 1 |
| 13 | H-70861 | NYLOK 5/16" - 18 SS | 1 |
| 14 | H-70923 | KN #10-32 SS | 2 |
| 15 | H-74417 | CB 1/4" - 20 X .5" SS | 2 |
| 16 | H-74429 | CB 5/16" - 18 X 3/4" SS | 1 |
| 17 | H-NJO4C | JNYL 1/4" - 20 SS | 2 |

62 Cylindrical Deck Assembly

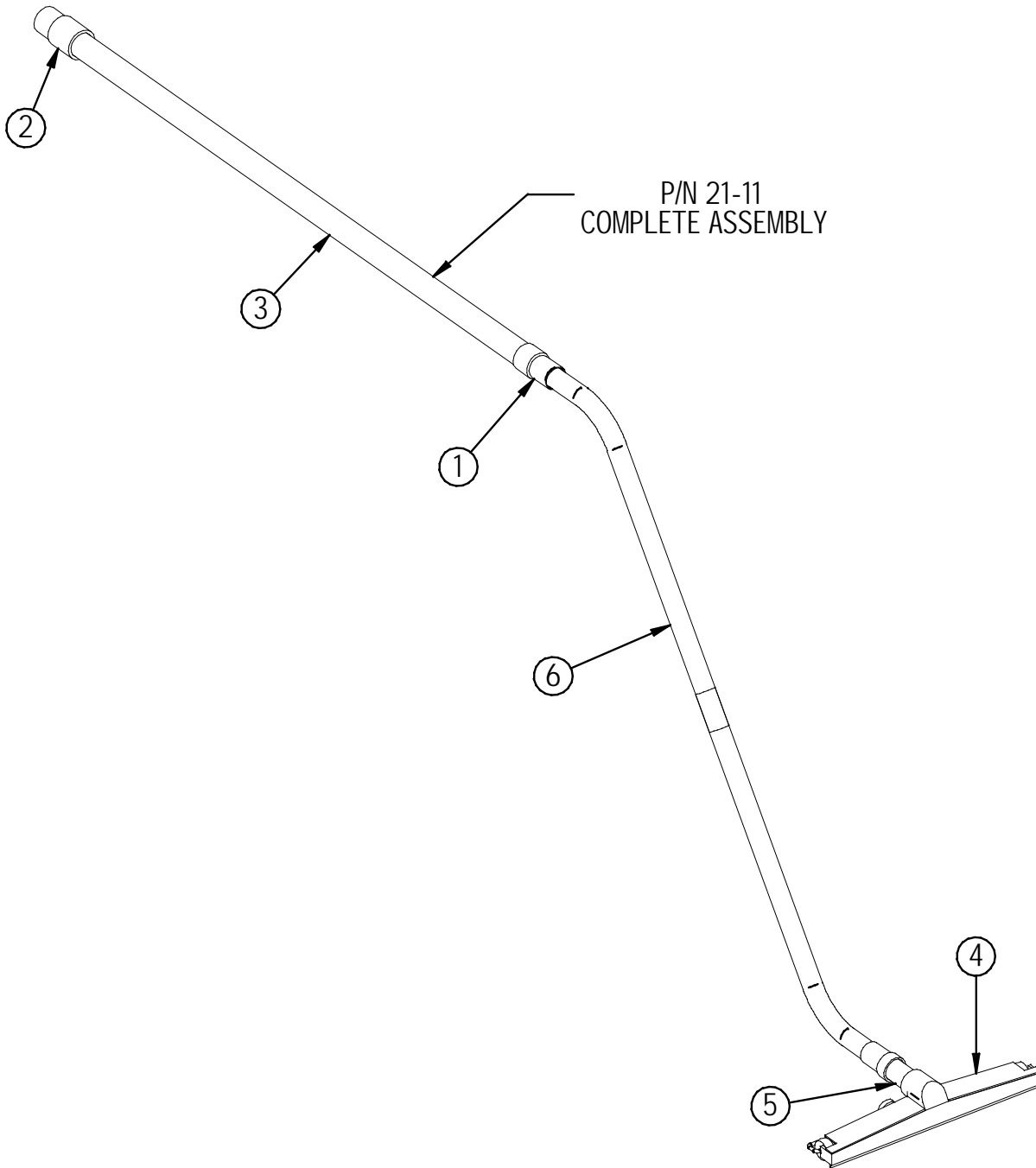


| Item | Part Number | Part Description | Qty |
|------|-------------|---|-----|
| 1 | 170-9003 | CYLINDRICAL LIFTING BRACKET | 1 |
| 2 | 170-9060 | 24" HOPPER | 1 |
| 3 | 170-9070 | CYLINDRICAL LIFTING BRACKET, LEFT, 24" | 1 |
| 4 | 170-9071 | CYLINDRICAL LIFTING BRACKET, RIGHT, 24" | 1 |
| 5 | 170-9590 | LATERAL ARM | 1 |
| 6 | 22-8320 | HOPPER RAIL | 1 |
| 7 | 253-8435 | ADJUSTABLE LATERAL ARM BODY | 2 |
| 8 | 253-9000 | CYLINDRICAL BRUSHHEAD, 24" | 1 |
| 9 | 290-1233 | 3/8" ID, 1/2" OD, 1/4" LG BEARING | 8 |
| 10 | 290-9584 | ROD END, 3/8-24 LEFT HAND THREAD | 2 |
| 11 | 290-9585 | ROD END, 3/8-24 RIGHT HAND THREAD | 2 |
| 12 | H-0129155 | JNYL #10-32, 18-8 S/S | 8 |
| 13 | H-02949 | 3/8 ID X 5/8 OD SHIM | 4 |
| 14 | H-03183 | CLEVIS PIN 3/8" x 3.00" | 1 |
| 15 | H-36956 | LH HX JAM .375-24 SS | 2 |
| 16 | H-70109 | HCS 3/8"- 16 X 1-1/2" SS | 2 |
| 17 | H-70110 | HCS 3/8"- 16 X 1-3/4" SS | 2 |
| 18 | H-70832 | HX JAM .375-24 SS | 2 |
| 19 | H-70861 | NYLOK 5/16" - 18 SS | 11 |
| 20 | H-70862 | NYLOK 3/8"-16 SS | 4 |
| 21 | H-71015 | FW 5/16" X 3/4" SS | 4 |
| 22 | H-71017 | FW 3/8" X 7/8" SS | 6 |
| 23 | H-71067 | LW 3/8" SS | 6 |
| 24 | H-72684 | FHP 10-32 X 3/4" SS | 6 |
| 25 | H-744?? | CB 5/16"- 18 X 1/2" SS | 2 |
| 26 | H-74429 | CB 5/16"- 18 X 3/4" SS | 10 |
| 27 | H-74430 | CB 5/16"- 18 X 1" SS | 4 |
| 28 | H-98025 | FW 3/8" GRADE 8 | 4 |
| 29 | H-NJ05C | JNYL 5/16"- 18 SS | 4 |
| 30 | H-RUE14 | 3/8" RUE RING COTTER | 1 |

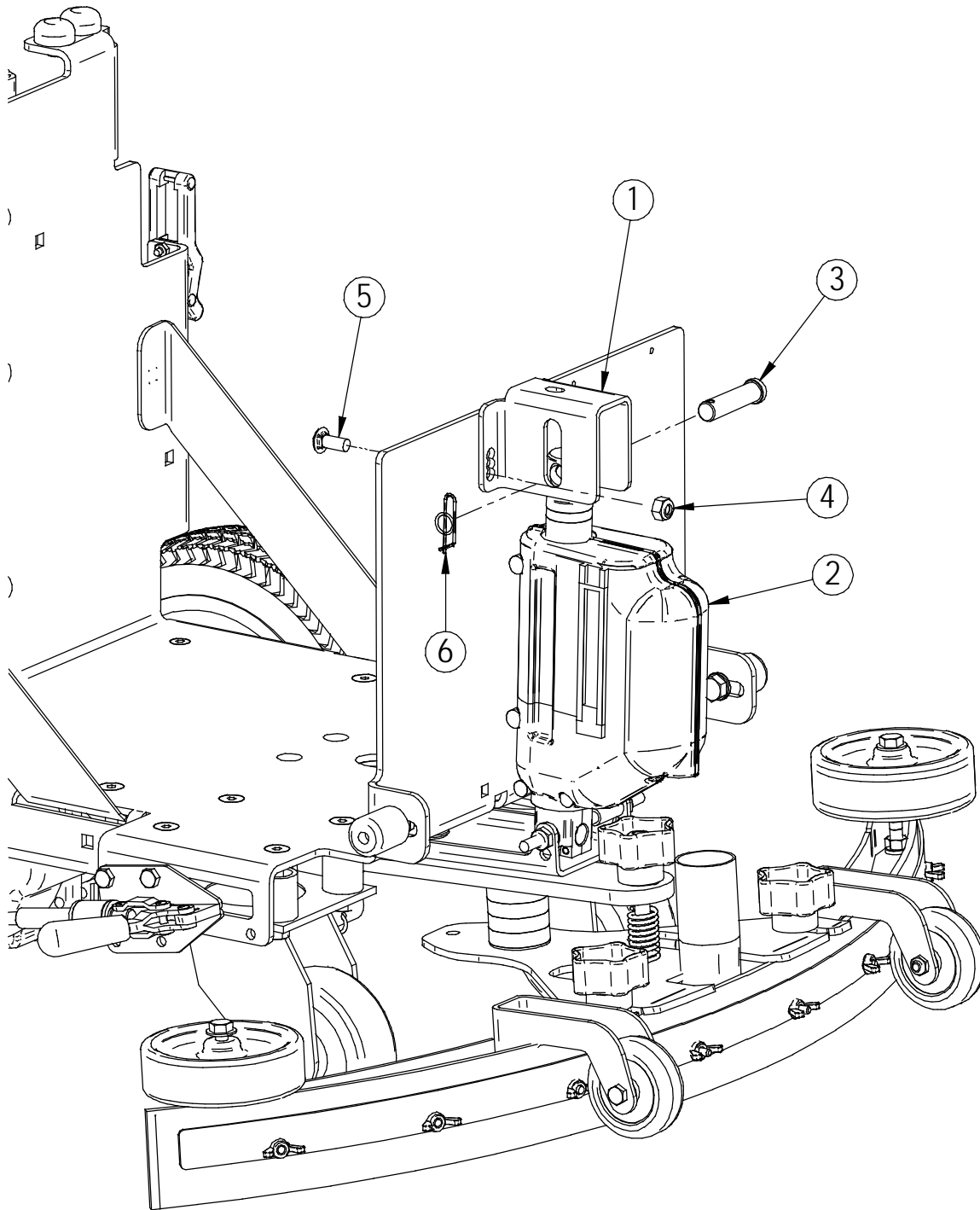
NOTE: SEE COMMON WEAR PARTS PAGE FOR BRUSH SELECTION.



| Item | Part Number | Part Description | Comments | Qty |
|------|-------------|---|----------------------------|-----|
| 1 | 170-1610 | 1/2" ID X 8-1/2" LG. WIRE REINF. CLEAR TUBE | | 1 |
| 2 | 170-1611 | 1/2" ID X 2-1/2" LG. WIRE REINF. CLEAR TUBE | | 1 |
| 3 | 170-1612 | 1/2" ID X 11" LG. WIRE REINF. CLEAR TUBE | Disk Machine's Only | 1 |
| 4 | 170-1616 | 1/2" ID X 17" LG. WIRE REINF. CLEAR TUBE | Cylindrical Machine's Only | 1 |
| 5 | 21-1601 | 1/2" BARBED ELBOW (PLASTIC) | | 2 |
| 6 | 253-8960 | GARDEN HOSE, 10' LG | | 1 |
| 7 | 5-446 | 1/2 " PLASTIC BARB TEE | | 1 |
| 8 | 5-891 | PUMP, WATER JET | | 1 |
| 9 | 5-895 | SPRAY NOZZLE | | 1 |
| 10 | H-0491686 | .625 ID X 1.125 OD RUBBER WASHER | | 1 |
| 11 | H-62005 | HOSE CLAMP 5/8"- 1-1/2" SS | | 2 |
| 12 | H-70858 | NYLOK #10-32 SS | | 4 |
| 13 | H-70923 | KN #10-32 SS | | 4 |
| 14 | H-71010 | FW 3/16 x 11/16 OD SS | | 4 |
| 15 | H-72522 | CB #10-32 X 1-1/4" SS | | 4 |



| Item | Part Number | Part Description | Qty |
|------|-------------|-------------------------------------|-----|
| 1 | 21-4072 | HOSE CUFF, 1 1/2" | 1 |
| 2 | 290-7212 | 1-1/2" - 2" HOSE CUFF | 1 |
| 3 | 5-883 | HOSE, VACUUM, 1-1/2" X 15', W/CUFFS | 1 |
| 4 | 5-889 | VACUUM NOZZLE | 1 |
| 5 | 7-884 | COUPLER, S/S | 1 |
| 6 | 7-887 | TWO PIECE CHROME VAC WAND | 1 |

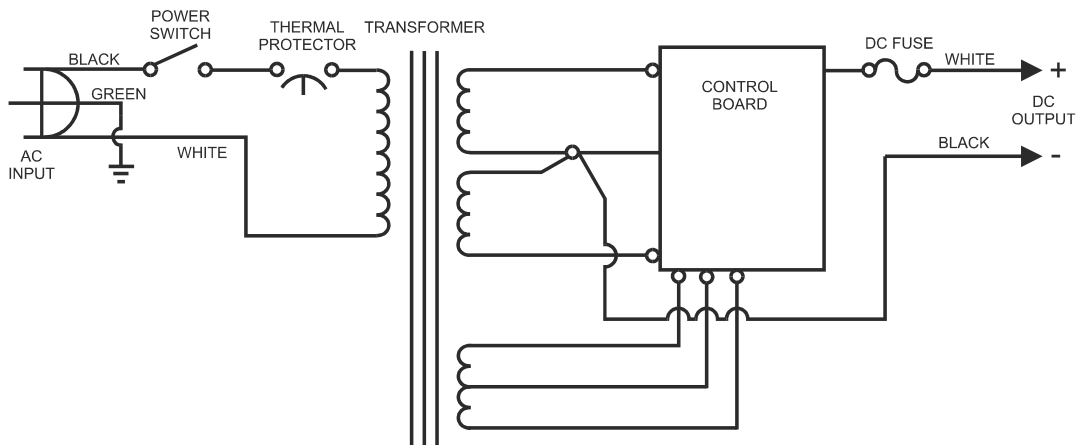


| Item | Part Number | Part Description | Qty |
|------|-------------|------------------------------------|-----|
| 1 | 253-1099 | AUTO SQUEEGEE LIFT BRACKET | 1 |
| 2 | 253-2240 | 2" STROKE 24V ACTUATOR 450 LB LOAD | 1 |
| 3 | H-0156771 | CLEVIS PIN, 1/2" OD X 2" LG. | 1 |
| 4 | H-70861 | NYLOK 5/16" - 18 SS | 2 |
| 5 | H-74429 | CB 5/16"- 18 X 3/4" SS | 2 |
| 6 | H-RUE22 | 1/2" RUE RING COTTER | 1 |



170-2440 CHARGER PARTS LIST

WIRING DIAGRAM

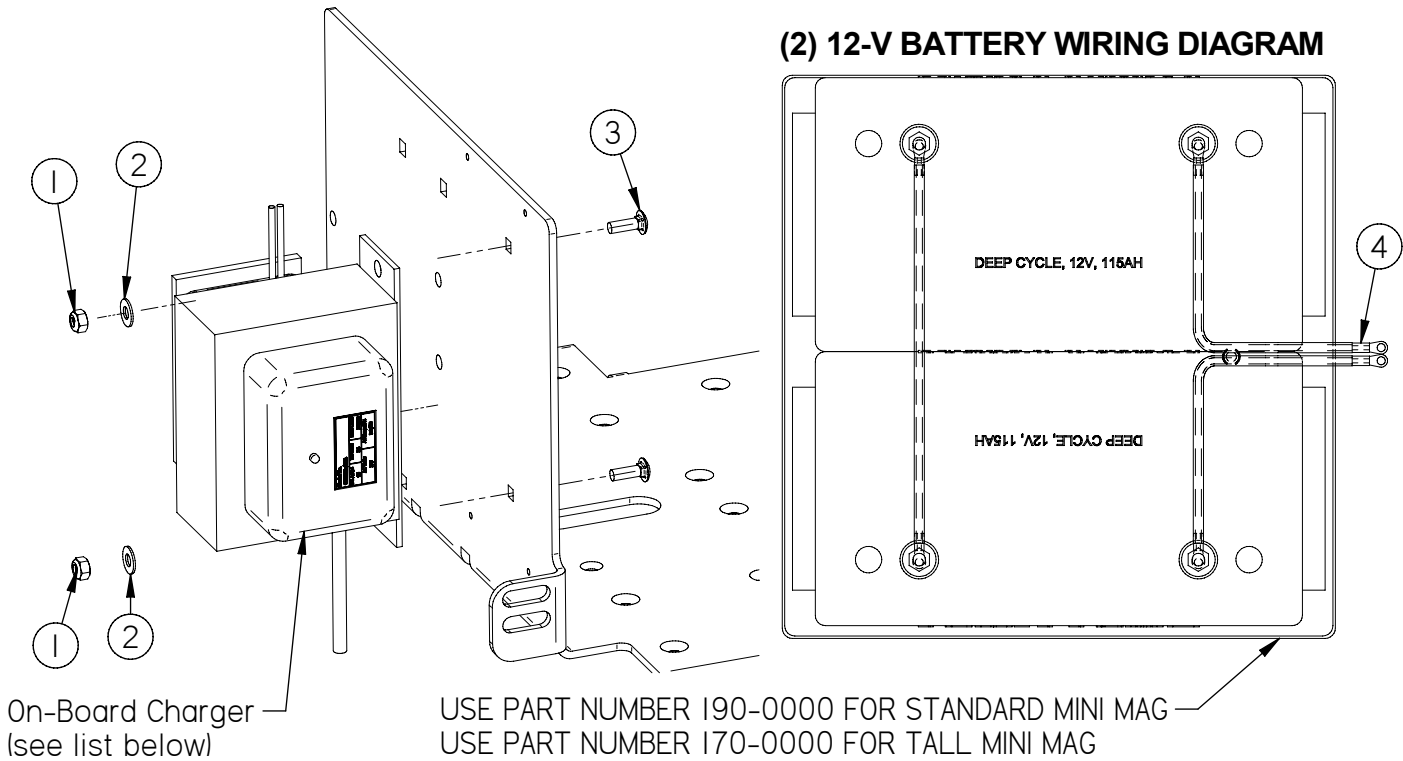


PARTS LIST FOR
 PART # 170-2440
 115 VAC / 60 HZ
 24 VDC - 12A

| PART NO. | QTY. | DESCRIPTION |
|-----------|------|---|
| S/O | 1 | CASE ASSEMBLY |
| S/O | 1 | TRANSFORMER |
| 170-2440S | 1 | POWER SWITCH |
| 21-2449 | 1 | BUSHING, STRAIN RELIEF, FOR CORDS |
| S/O | 1 | CORDSET, AC, 18/3, 102", W/ MOLDED PLUG |
| 21-2451 | 1 | CORDSET, DC, 14/2, 108", W/ SB50 RED PLUG |
| 19630S | 1 | ELECTRONIC TIMER ASSEMBLY |

BRUSH DRIVE BATTERY PACK SHOWN

(2) 12-V BATTERY WIRING DIAGRAM



| Item | Part Number | Part Description | Qty |
|------|-------------|------------------------|-----|
| 1 | H-70860 | NYLOK 1/4"- 20 SS | 2 |
| 2 | H-71013 | FW 1/4 ID X 5/8 OD SS | 2 |
| 3 | H-74419 | CB 1/4"- 20 X .75" SS | 2 |
| 4 | 170-1900 | WIRE HARNESS, COMPLETE | 1 |

| WHICH BATTERY CHARGER TO USE WITH BATTERY SELECTION | | | | |
|---|----------------------------------|--------------------------|---------------------------------|-------------------------|
| Battery Part Number & Description | Off-Board Charger North American | Off-Board Charger Export | On-Board Charger North American | On-Board Charger Export |
| 170-2110 (12V, 115 AH) | 170-2440 | 170-2443 | 170-2450 | 170-2452 |
| 170-2111 (12V, 155 AH) | 170-2440 | 170-2443 | 170-2450 | 170-2452 |
| 170-2120 (12V, 115 AH, M.F.) | 170-2440 | 170-2443 | 170-2451 | 170-2453 |
| 170-2109 (12V, 130 AH) | 170-2440 | 170-2443 | 170-2450 | 170-2452 |
| 270-2110 (12V, 225 AH) | 21-2440 | 21-2442 | N/A | N/A |

Note: Japan & Korea are not included for list above.

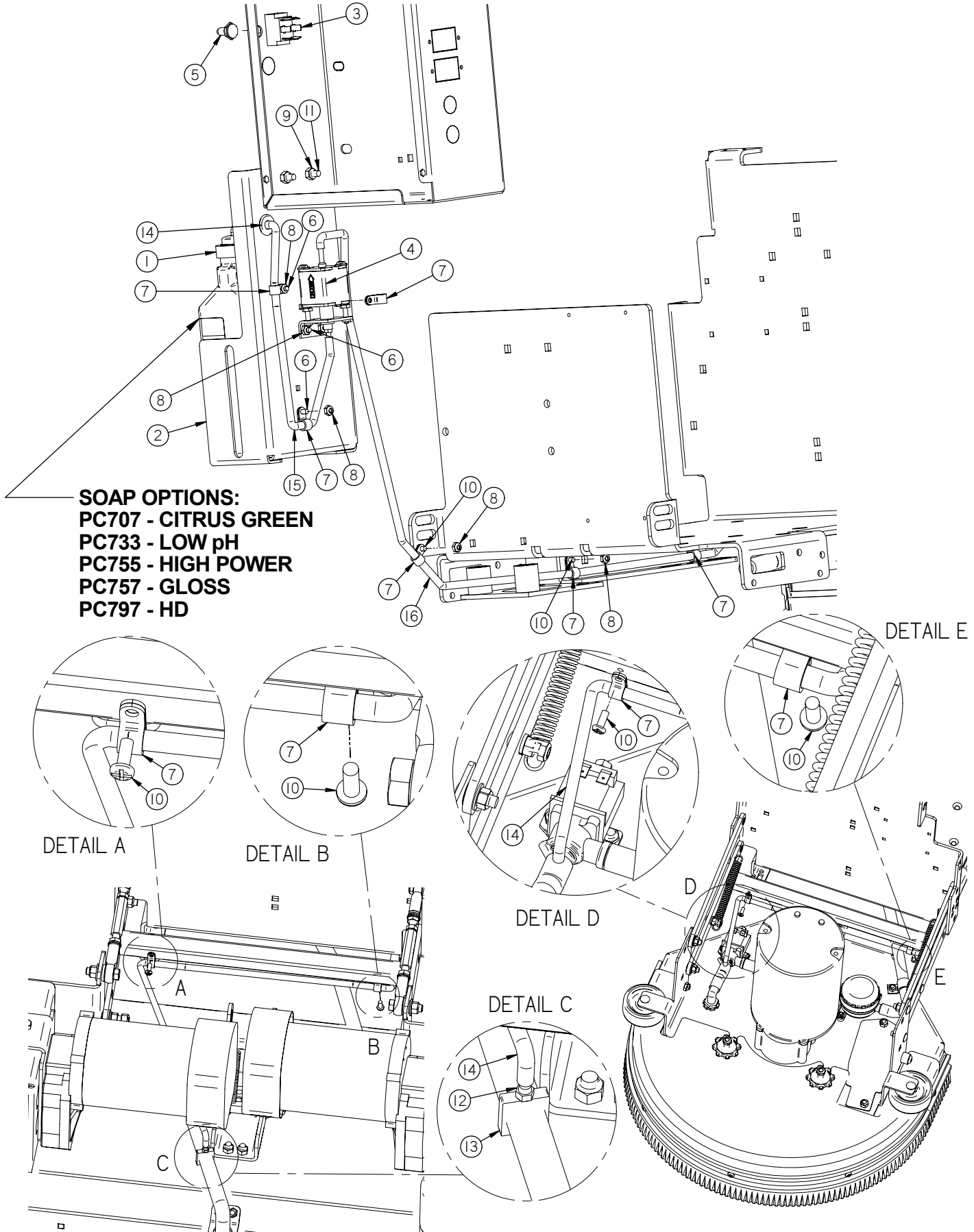
BATTERY NOTE:

P/N 170-2110 IS STANDARD ON BRUSH DRIVE MACHINES.

P/N 170-2111 IS STANDARD ON TRACTION DRIVE & OPTIONAL ON BRUSH DRIVE MACHINES.

P/N 190-2271 IS OPTIONAL ON TRACTION DRIVE & BRUSH DRIVE MACHINES.

P/N 170-2109 IS OPTIONAL ON TRACTION DRIVE & BRUSH DRIVE MACHINES.



| Item | Part Number | Part Description | Qty |
|------|-------------|--|-----|
| 1 | 253-0115 | SOAPJUG CAP | 1 |
| 2 | 253-1760 | SOAP TRAY, SINGLE | 1 |
| 3 | 253-283 | SWITCH, TOGGLE, ON/OFF/ON (DPDT) | 1 |
| 4 | 253-8500 | SOAP PUMP, 24V | 1 |
| 5 | H-01198 | PROTECTIVE BOOT, TOGGLE SWITCH, (GREEN) | 1 |
| 6 | H-0172518 | CB #10-32 X 1/2" SS | 5 |
| 7 | H-02239 | 3/8" NYLON LOOP CLAMP | 8 |
| 8 | H-70858 | NYLOK #10-32 SS | 8 |
| 9 | H-70860 | NYLOK 1/4"- 20 SS | 2 |
| 10 | H-72515 | PPH #10-32 X 1/2" S/S | 5 |
| 11 | H-74419 | CB 1/4"- 20 X .75" SS | 2 |
| 12 | M-2974K369 | NYLON BARBED TUBE FITTING, 3/16 ID X 1/16" NPT | 1 |
| 13 | M-5116K46 | 1/2" X 1/2" BARB | 1 |
| 14 | M-9307K23 | GROMMET, RUBBER 3/8 ID X 7/8 OD X 1/8 TH. | 1 |
| 15 | T-018CR2000 | 3/16" ID X 20" LG. C.R. TUBE | 1 |
| 16 | T-018CR7200 | 3/16" ID X 72" LG. C.R. TUBE | 1 |

| Brushes | Model 17"-Disk | Model 20"-Disk | Model 23"-Disk | Model 26"-Disk | Model 28"-Disk |
|----------------|-------------------|-------------------|-------------------|-------------------|-------------------|
| Super-Grit | 17-421 SS | 20-421 SS | 23-421 SS | 13-421 SS | 14-421 SS |
| Tough-Grit | 17-421 S | 20-421 S | 23-421 S | 13-421 S | 14-421 S |
| Midi-Grit | 17-421 C | 20-421 C | 23-421 C | 13-421 C | 14-421 C |
| Light-Grit | 17-421 PS | 20-421 PS | 23-421 PS | 13-421 PS | 14-421 PS |
| Poly (.028) | 17-421 P | 20-421 P | 23-421 P | 13-421 P | 14-421 P |
| Nylon (.016) | 17-421 N | 20-421 N | 23-421 N | 13-421 N | 14-421 N |
| Tampico | 17-421 T | 20-421 T | 23-421 T | 13-421 T | 14-421 T |
| Pad Driver | 17-421 D | 20-421 D | 23-421 D | 13-421 D | 14-421 D |
| Diamond Driver | 17-421 DD | 20-421 DD | N/A | N/A | N/A |

NOTE: # In Disk Column Denotes Pad Size: 13,15, 17

| Pads | Disk | Level | Color |
|-------------|-----------|-----------|-------|
| Super-Black | ##-422 BB | Very High | Black |
| Black | ##-422 B | High | Black |
| Brown | ##-422 BR | High | Brown |
| Green | ##-422 G | Medium | Green |
| Blue | ##-422 BL | Moderate | Blue |
| Red | ##-422 R | Moderate | Red |
| White | ##-422 W | Light | White |

Extra pad driver retaining clip: 40-433

Brush repair kit: 40-423 Replacement locating clip for all brushes.

NEW STYLE CYL BRUSHES FOR MACHINE SERIAL #50000 & GREATER

| Brushes | Model 24"-Cyl |
|--------------|------------------|
| Super-Grit | N/A |
| Tough-Grit | 225-821S |
| Midi-Grit | 225-821C |
| Light-Grit | 225-821PS |
| Poly (.028) | N/A |
| Nylon (.016) | 225-821N |

OLD STYLE CYL BRUSHES FOR MACHINES PRIOR TO SERIAL #50000

| Brushes | Model 24"-Cyl |
|--------------|------------------|
| Super-Grit | N/A |
| Tough-Grit | 22-521 S |
| Midi-Grit | 22-521 C |
| Light-Grit | 22-521 PS |
| Poly (.028) | N/A |
| Nylon (.016) | 22-521 N |
| Tampico | N/A |

Squeegee blade kits & Complete Squeegee assemblies

| Squeegee size | Model 17"-Disk | Model 20"-Disk | Model 23"-Disk | Model 26"-Disk | Model 24"-Cyl | Model 28"-Cyl | Gum Rubber blade kit | Linatex blade kit | Complete squeegee assemblies |
|---------------|-------------------|-------------------|-------------------|-------------------|------------------|------------------|-------------------------|----------------------|------------------------------------|
| 32" squeegee | Standard | Standard | Standard | Standard | Standard | Optional | 22-770 G | 22-770 L | 23-7180 |
| 35" squeegee | Optional | Optional | Optional | Optional | Optional | Standard | 25-770 G | 25-770 L | 25-7180 |

NOTE: Squeegee blade kits include (1) Rear Blade, (1) Front Blade, and (2) Backup Wheels with hardware.

NOTE: Squeegee Assemblies (complete) listed above all come with Linatex blades.

NOTE: Size is stamped into the top of the painted steel squeegee body on all squeegee's.

NOTE: The 32" squeegee is designed for narrow isles and may not have the same water control around tight turns as the larger squeegees.

SOAP

Heavy Duty Degreaser

Citrus

Freezer

Tire Mark Remover

For more soap information call PowerCat 414-745-9337

www.powercatsolutions.com

MiniMag Suggested Parts Inventory

| Quantity | Part # | Description |
|----------|----------|--|
| 1 | 22-770G | Squeegee Rebuild Kit 32" Gum |
| 1 | 22-770L | Squeegee Rebuild Kit 32" Linatex |
| 1 | 25-770G | Squeegee Rebuild Kit 35" Gum |
| 1 | 25-770L | Squeegee Rebuild Kit 35" Linatex |
| 2 | 5-760 | Squeegee Side Roller Wheels |
| 2 | H-70065 | Side Roller Wheel Bolt |
| 1 | 21-4500 | Solution Solenoid |
| 1 | 190-5250 | Vacuum Motor |
| 1 | 190-3002 | Vacuum Motor Gasket |
| 1 | 8-231 | Main Power Switch |
| 1 | 190-1410 | Recovery Lid Assembly |
| 1 | 170-1070 | Tank Lid Gasket |
| 1 | 7-229 | Pushbutton Switch |
| 1 | 7-292 | Rheostat, Speed Setting 5k |
| 1 | 7-283 | DPDT Toggle switch |
| 1 | 290-2891 | LCD |
| 2 | 290-2815 | Circuit Breaker |
| 2 | 21-5000 | Brush Driver |
| 1 | 21-4085 | Vac Screen |
| 1 | 21-4028 | Snap grip Clamp 2-1/8" - 2-3/8", Nylon |
| 1 | 190-1450 | Vacuum Saver |
| 1 | 170-1505 | Loader Valve |
| 2 | 170-0111 | Squeegee Hose |
| 2 | 170-7211 | Drain Hose Cap |
| 2 | 170-7210 | Drain Hose |
| 2 | 190-3035 | Casters |
| 1 | 170-2014 | Mini Mag BD control Panel Sticker |
| 1 | 170-2013 | Mini Mag HD control Panel Sticker |
| 2 | 21-3060 | Front Tire Grey |
| 2 | 21-3010 | Front Tire Black Solid |
| 1 | 5-913 | Solution Filter |
| 1 | 21-4510 | Solution Knob |
| 1 | 21-4520 | Speed Knob |
| 2 | 4-124 | Tank Lid Latch |
| 1 | 170-7890 | Squeegee Cable BD |
| 1 | 170-7895 | Squeegee Cable TD |
| 2 | 290-5786 | Squeegee Knobs |
| 1 | H-01196 | Switch Cover - Red |
| 1 | H-01200 | Switch Cover - Black |
| 1 | 21-7101 | Squeegee Lift Knob |
| 1 | 5-293 | Hella Relay |
| 1 | 5-223 | Vac Switch |
| 1 | 170-2441 | On-Board Charger |
| 1 | 253-3444 | Charger Cord |

