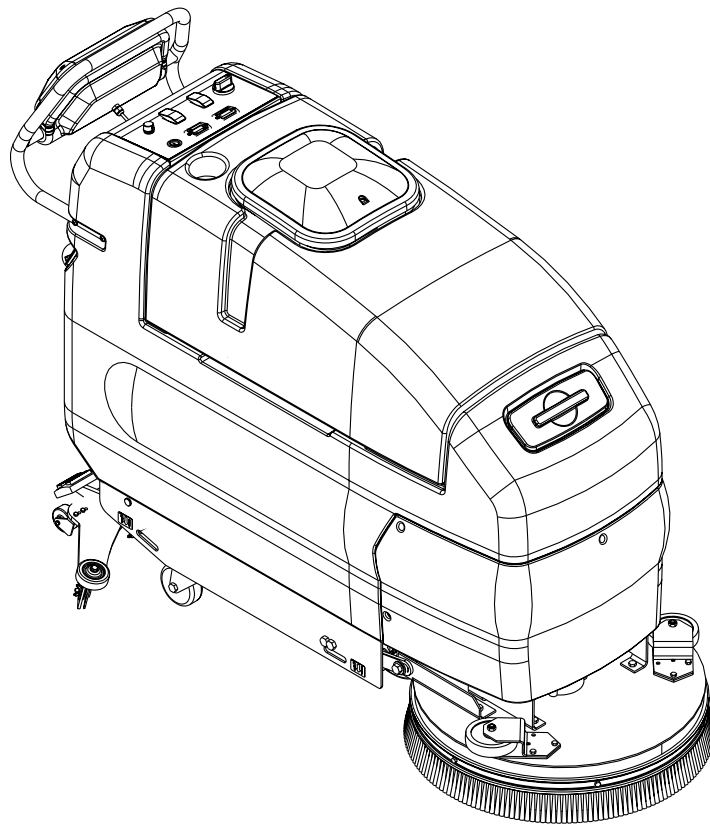


ConvertaMAX™ 20/26

BA 550 / BA 650



PARTS LIST

Advance MODELS 56397580, 56397581

Nilfisk MODELS 56397582, 56397583

ConvertaMAX 20 after SN1573666 / ConvertaMAX 26 after SN1573671

BA 550 after SN1573798 / BA 650 after SN1573803



**Nilfisk
Advance**

setting standards

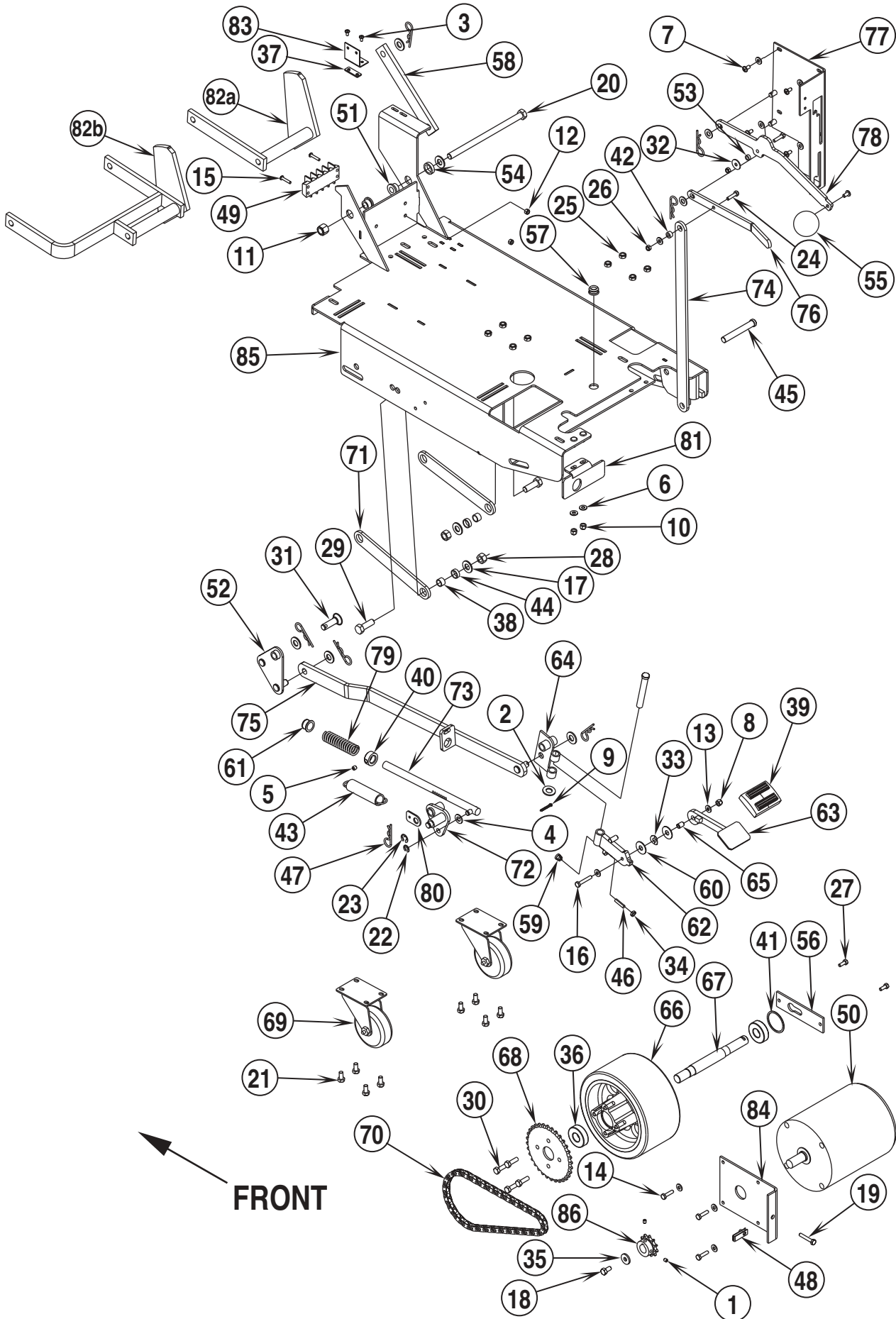
4/02 revised 3/04 FORM NO. 56042432
BOOK E SECTION 12.6.1

| DESCRIPTION | PAGE |
|-----------------------------|-------------|
| CHASSIS SYSTEM | 2-3 |
| DECAL SYSTEM | 4-5 |
| ELECTRICAL SYSTEM | 6-7 |
| HANDLE SYSTEM | 8-9 |
| RECOVERY SYSTEM | 10-11 |
| SCRUB DECK SYSTEM-20" | 12-13 |
| SCRUB DECK SYSTEM-26" | 14-15 |
| SKIRT ASSEMBLIES-26" | 16-17 |
| SOLUTION SYSTEM | 18-19 |
| SQUEEGEE SYSTEM-20" | 20-21 |
| SQUEEGEE SYSTEM-26" | 22-23 |
| WIRING DIAGRAM | 24-25 |
| BRUSH SELECTOR GUIDE | 26 |

WHEN ORDERING PARTS

- * Use the 8 digit numbers from the "Ref. No." columns in this parts list.
- * Specify the model and serial number of the machine.
- * Use the space below to record the model and serial number for future reference.

Model _____ Serial No. _____

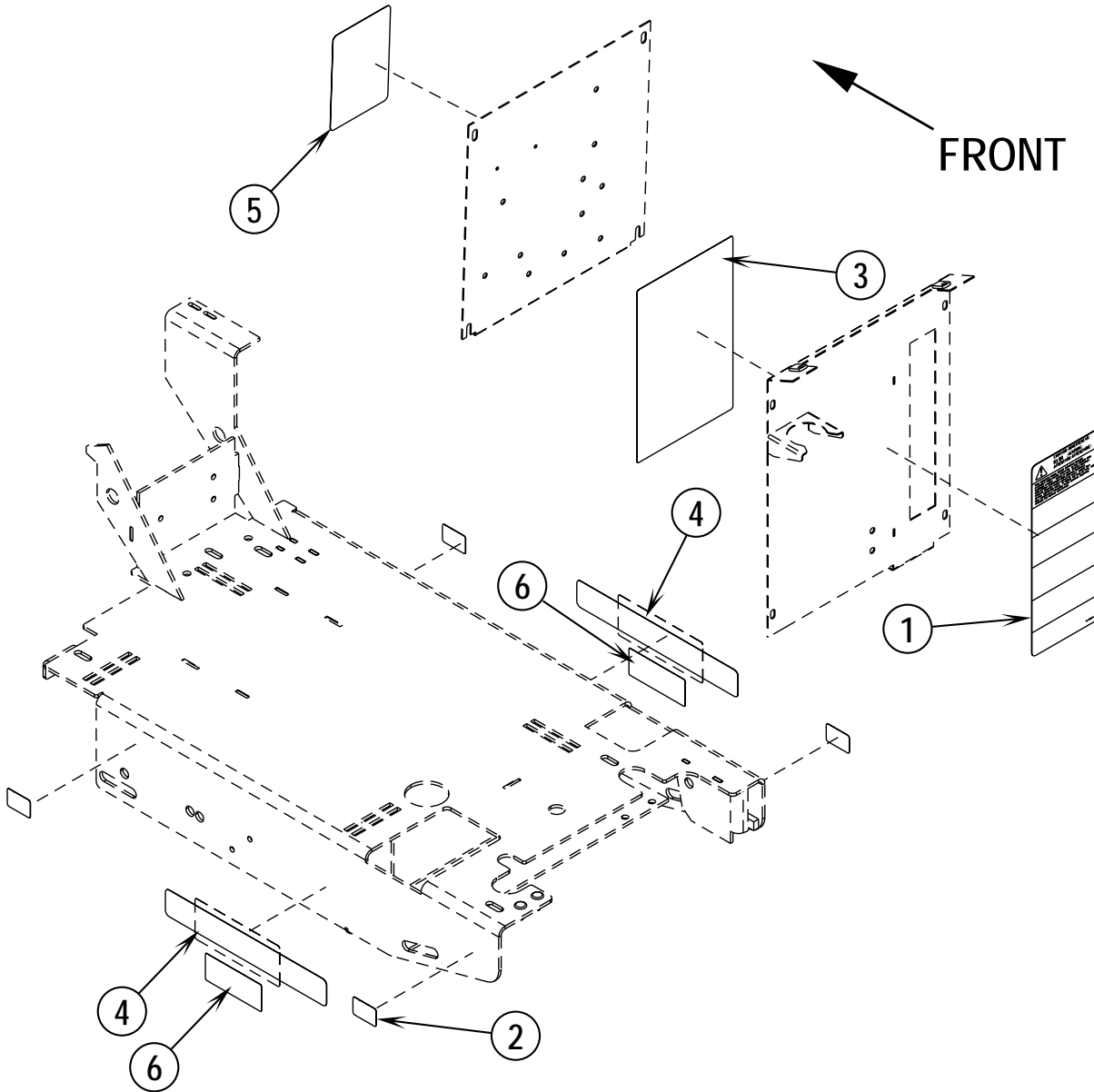


| Item | Ref. No. | Qty | Description | Item | Ref. No. | Qty | Description |
|------|----------|-----|-------------------------------------|----------|----------|--|---|
| 1 | 56001841 | 2 | Scr, Soc Set Loc 1/4-20 x .25 | 46 | 56003522 | 1 | Screw, Set |
| 2 | 56001879 | 6 | Wsh, Flt SAE 1/2 | 47 | 56003644 | 7 | Pin, Cotter Hair .12 x .50 |
| 3 | 56002043 | 2 | Scr, Pan Phil 10-24 x .38 | 48 | 56009289 | 1 | Nut, U Multi-Thread 1/4-20 |
| 4 | 56002063 | 3 | Wsh, Flt SAE 3/8 | 49 | 56026111 | 1 | Term. Block, 4 Term. 50 Amp |
| 5 | 56002086 | 1 | Scr, Soc Set Loc 5/16-18 x .25 | 50 | 56026191 | 1 | Motor, 24VDC 1/2HP (Wheel Drive / M2) TSBUS2003-838 / NOTE #1 |
| 6 | 56002098 | 7 | Wsh, Flt SAE 1/4 | | | | |
| 7 | 56002145 | 5 | Scr, Pan Phil 1/4-20 x .50 | 56396311 | 1 | Motor, 24VDC 1/2 HP (Wheel Drive / M2) TSBUS2003-838 / NOTE #2 | |
| 8 | 56002491 | 1 | Nut, Hex Nyl Loc SS 1/4-20 | * | 56397099 | 1 | Bearing, BE |
| 9 | 56002529 | 1 | Pin, Cotter 1/8 x 1.00 | * | 56397135 | 1 | Bearing, FE |
| 10 | 56002708 | 2 | Nut, Hex Nyl Loc 1/4-20 | * | 56397138 | 4 | Brush Spring |
| 11 | 56002770 | 1 | Nut, Hex Nyl Loc 1/2-13 | * | 56397139 | 4 | Brush Assembly |
| 12 | 56002836 | 2 | Nut, Hex Nyl Loc SS 10-24 | * | 56397137 | 1 | Brush Board |
| 13 | 56002859 | 5 | Wsh, Flt SAE SS 1/4 | 51 | 56027131 | 2 | Bearing, Flange |
| 14 | 56002883 | 3 | Scr, Hex Hd SS 1/4-20 x 1.00 | 52 | 56035589 | 1 | Weld't., Linkage, Triangular |
| 15 | 56002898 | 2 | Scr, Pan Phil SS 10-24 x 1.00 | 53 | 56054335 | 1 | Spacer, Steel |
| 16 | 56002901 | 1 | Scr, Hex Hd SS 1/4-20 x 1.50 | 54 | 56054581 | 1 | Spacer, Steel |
| 17 | 56002918 | 2 | Wsh, Flt SAE SS 1/2 | 55 | 56057391 | 1 | Ball Knob |
| 18 | 56002929 | 1 | Scr, Hex Hd Loc 5/16-18 x .62 | 56 | 56057763 | 1 | Bar, Steel |
| 19 | 56003125 | 1 | Scr, Hex Thd To Hd SS 1/4-20 x 1.50 | 57 | 56057764 | 1 | Bushing, Guide |
| 20 | 56003159 | 1 | Scr, Hex Hd 1/2-13 x 8.50 | 58 | 56057771 | 1 | Bar, Steel |
| 21 | 56003178 | 8 | Scr, Hex M8-1.25 x 16mm | 59 | 56057842 | 1 | Plug, Button |
| 22 | 56003262 | 1 | Ring, Ret Ext Type E .38 Dia. | 60 | 56151068 | 2 | Washer, Fibre |
| 23 | 56003264 | 1 | Ring, Ret Ext Type E .50 Dia. | 61 | 56393792 | 1 | Bearing, Flange |
| 24 | 56003358 | 2 | Scr, Hex M6-1.00 x 25mm | 62 | 56396239 | 1 | Weldment, Pedal Lever |
| 25 | 56003389 | 8 | Nut, Hex Nyl Loc M8-1.25 | 63 | 56396240 | 1 | Weldment, Pedal Lever |
| 26 | 56003403 | 2 | Nut, Hex Nyl Loc M6-1.00 | 64 | 56396244 | 1 | Weldment, Foot Pedal Pivot |
| 27 | 56003431 | 2 | Scr, Hex Hd SS M6-1.00 x 16mm | 65 | 56396249 | 1 | Bushing |
| 28 | 56003450 | 2 | Nut, Hex Nyl Loc SS M12-1.75 | 66 | 56397001 | 1 | Wheel |
| 29 | 56003453 | 2 | Scr, Hex Hd SS M12-1.75 x 35mm | 67 | 56397003 | 1 | Axle |
| 30 | 56003477 | 4 | Scr, Hex Loc SS M8-1.00 x 25mm | 68 | 56397005 | 1 | Sprocket |
| 31 | 56003520 | 1 | Pin, Hitch Cotterless | 69 | 56397016 | 2 | Wheel, Caster |
| 32 | 56009002 | 1 | Wsh, Flt .266 x .906 x .060 | 70 | 56397017 | 1 | Chain, #40-32 |
| 33 | 56009024 | 1 | Wsh, Bowed .375 x .844 x .060 | 71 | 56397049 | 2 | Arm |
| 34 | 56009087 | 1 | Nut, Hex Jam 1/4-20 | 72 | 56397054 | 1 | Pivot, Foot Weld't. |
| 35 | 56009122 | 1 | Wsh, Flt .344 x .938 x .125 | 73 | 56397057 | 1 | Rod Weld't. |
| 36 | 56154091 | 2 | Bearing, Ball | 74 | 56397060 | 1 | Linkage, Brush Lift |
| 37 | 56324310 | 1 | Nut Plate | 75 | 56397062 | 1 | Bar Weld't. |
| 38 | 56360627 | 2 | Bushing | 76 | 56397063 | 1 | Bar |
| 39 | 56365002 | 1 | Pad, Rubber | 77 | 56397064 | 1 | Weld't. Panel |
| 40 | 56367354 | 1 | Collar, Shaft | 78 | 56397086 | 1 | Arm |
| 41 | 56444731 | 1 | Ring, Ret Int | 79 | 56397131 | 1 | Compression Spring |
| 42 | 56453691 | 1 | Spacer | 80 | 56397132 | 1 | Plate(26" models only) |
| 43 | 56456847 | 1 | Spring, Extension (26" models only) | 81 | 56397136 | 1 | Bracket, Rear Cover |
| 44 | 56478781 | 2 | Bearing, Sleeve | 82a | 56397146 | 1 | Weld't, Brush Lift (20" models only) |
| 45 | 56003519 | 2 | Clevis Pin .50 x 3.50 | 82b | 56397197 | 1 | Weld't, Brush Lift (26" models only) |
| | | | | 83 | 56397199 | 1 | Bracket, Switch |
| | | | | 84 | 56397567 | 1 | Bracket, Tension-Traction Drive |
| | | | | 85 | 56397569 | 1 | Weld't, Frame |
| | | | | 86 | 56741122 | 1 | Sprocket |

* = Not Shown

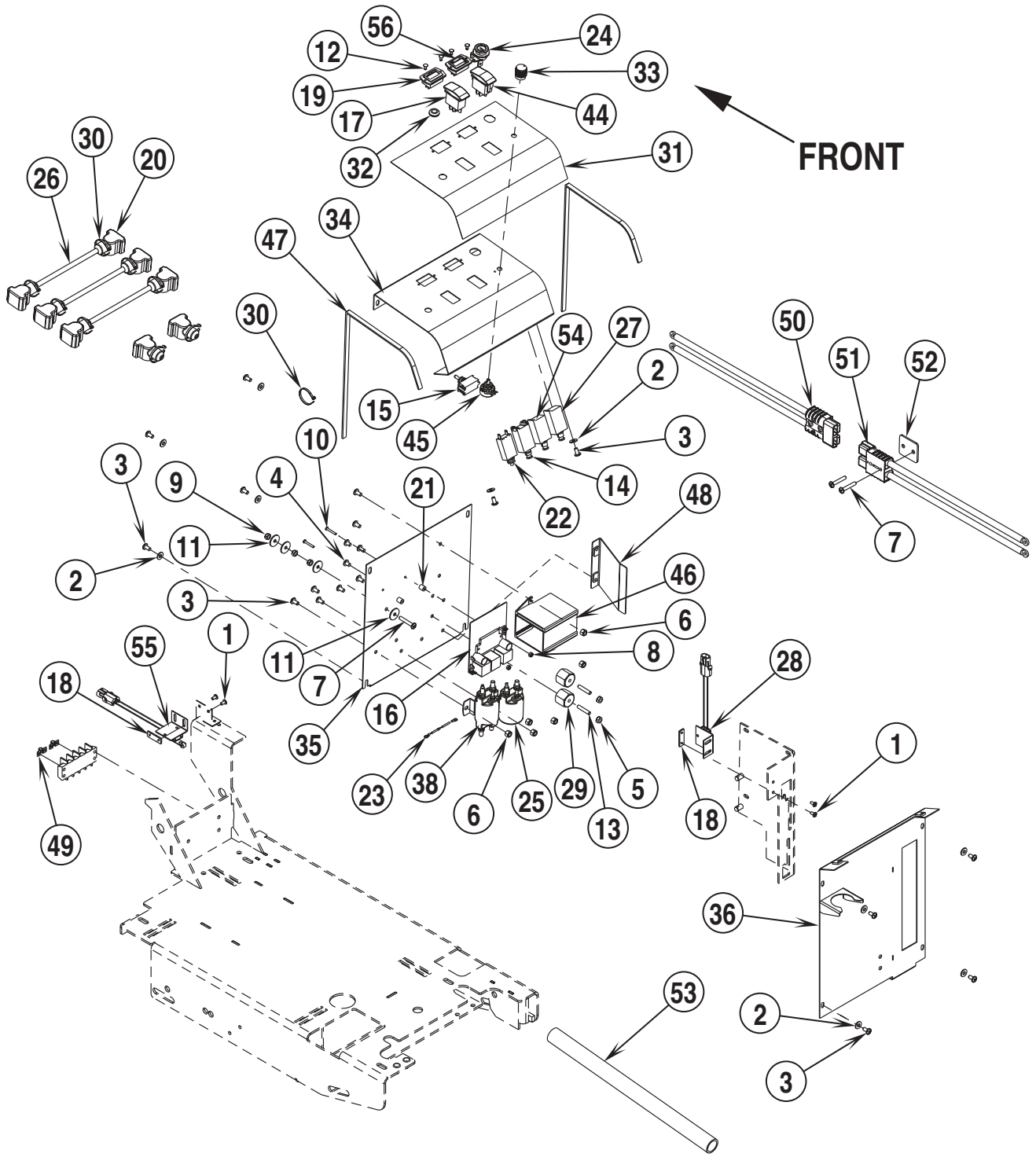
NOTE #1: BA 550 before SN1645714 / BA 650 before SN1645725 / ConvertaMAX 20 before SN1646755 / ConvertaMAX 26 before SN1646758

NOTE #2: BA 550 after SN1645713 / BA 650 after SN1645724 / ConvertaMAX 20 after SN1646754 / ConvertaMAX 26 after SN1646757



| | | | | |
|------|--|---------------|---------------|----------|
| 02-4 | DECAL SYSTEM | BOOK E | | |
| 04-3 | ConvertaMAX™ 20, 26 / BA 550, 650 | E | 12.6.1 | 5 |

| Item | Ref. No. | Qty | Description |
|------|----------|-----|---|
| 1 | 56014601 | 1 | Decal, Caution |
| 2 | 56015370 | 4 | Decal, Tie Down |
| 3 | 56016321 | 1 | Decal, Elect. Schematic |
| 4 | 56016648 | 2 | Decal, ConvertaMAX 20 |
| | 56016649 | 2 | Decal, ConvertaMAX 26 (before serial #1735164) |
| | 56016681 | 2 | Decal, CMAX 26 (after serial #1735163) |
| | 56016650 | 2 | Decal, BA550 |
| | 56016651 | 2 | Decal, BA650 |
| 5 | 56016653 | 1 | Decal, Battery Wiring |
| 6 | 56016680 | 1 | Decal, Smart Solutions (CMAX 26 after serial #1735163) |



| | | | | |
|------|--|---------------|---------------|----------|
| 02-4 | ELECTRICAL SYSTEM | BOOK E | | |
| 03-1 | ConvertaMAX™ 20, 26 / BA 550, 650 | E | 12.6.1 | 7 |

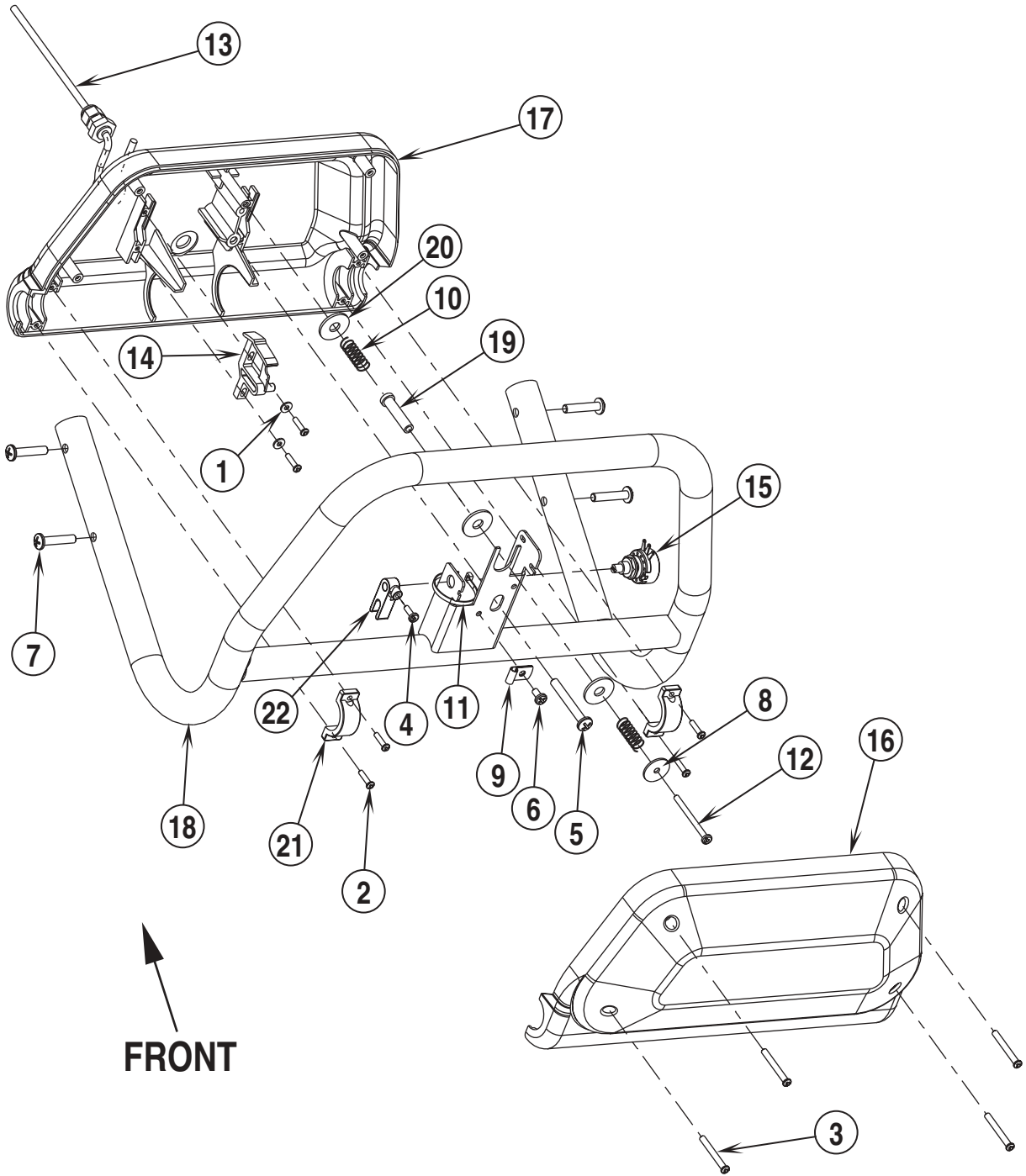
| Item | Ref. No. | Qty | Description |
|------|----------|-----|--|
| 1 | 56002043 | 4 | Scr, Pan Phil 10-24 x .38 |
| 2 | 56002098 | 10 | Wsh, Flt SAE 1/4 |
| 3 | 56002145 | 18 | Scr, Pan Phil 1/4-20 x .50 |
| 4 | 56002462 | 2 | Scr, Pan Phil 1/4-20 x .38 |
| 5 | 56002561 | 2 | Nut, Hex W/SHPRF 1/4-20 |
| 6 | 56002708 | 6 | Nut, Hex Nyl Loc 1/4-20 |
| 7 | 56002786 | 3 | Scr, Pan Phil 1/4-20 x 1.50 |
| 8 | 56002830 | 2 | Nut, Hex Nyl Loc 6-32 |
| 9 | 56002840 | 3 | Nut, Hex Nyl Loc-Thin 1/4-20 |
| 10 | 56002858 | 2 | Scr, Pan Phil 6-32 x 1.00 |
| 11 | 56009060 | 4 | Wsh, Flt SS .260 x 1.000 x .074 |
| 12 | 56009192 | 4 | Rivet, Push Nylon Black |
| 13 | 56009203 | 2 | Stud, 1/4-20 |
| 14 | 56452193 | 1 | Circuit Breaker, 40A (20" models Brush Motor / F2) |
| | 56263260 | 1 | Circuit Breaker, 60A (26" models Brush Motor / F2) |
| 15 | 56301636 | 1 | Switch, Toggle (Main Power / S1) |
| 16 | 56324023 | 1 | Speed Control (A1) |
| 17 | 56324272 | 1 | Switch Rocker (Solution / S2) |
| 18 | 56324310 | 2 | Nut Plate |
| 19 | 56372089 | 1 | Fuel Gauge, Battery (P1) |
| 20 | 56372673 | 8 | Boot, Battery Post |
| 21 | 56377721 | 2 | Spacer |
| 22 | 56387316 | 1 | Circuit Breaker, 10A (Auxiliary / F1) |
| 23 | 56389265 | 1 | Rectifier Assy (D1) |
| 24 | 56393325 | 1 | Bracket, Keylock |
| * | 56393415 | 1 | Replacement Key |
| 25 | 56412179 | 1 | Contactor, 24VDC (Vacuum Motor / K2) |
| 26 | 56416445 | 3 | Cable Assy 4AWG (Battery Interconnect) |
| 27 | 56454423 | 1 | Circuit Breaker, 30A (Vacuum Motor / F4) |
| 28 | 56462362 | 1 | Switch Assy, NC (Vacuum Switch / S4) |
| 29 | 56469858 | 2 | Standoff, Insulated |
| 30 | 56478246 | 14 | Tie, Cable |
| 31 | 56016652 | 1 | Decal, Instrument Panel (20" models) |
| | 56016663 | 1 | Decal, Instrument Panel (26" models) |
| 32 | 56056190 | 1 | Grommet |
| 33 | 56056596 | 1 | Knob |
| 34 | 56397025 | 1 | Panel, Instrument |
| 35 | 56397027 | 1 | Panel, Front |
| 36 | 56397038 | 1 | Panel, Back, Weld't. |
| 37 | 56397087 | 1 | Harness, Main (Not Shown) TSBUS2003-838 / NOTE #1 |
| | 56397288 | 1 | Harness, Main (Not Shown) TSBUS2003-838 / NOTE #2 |
| 38 | 56397088 | 1 | Contactor, 24VDC (Brush Motor / K1) |
| 39 | 56397114 | 1 | Cable Assy 6 AWG (BLK, 65" Wire #8 / Not Shown) |
| 40 | 56397115 | 1 | Cable Assy 6 AWG (RED, 69" Wire #16 / Not Shown) |
| 41 | 56397116 | 1 | Cable Assy 6 AWG (RED, 7" Wire #12 / Not Shown) |
| 42 | 56397117 | 1 | Cable Assy 6 AWG (RED, 16" Wire #14 / Not Shown) |
| 43 | 56397118 | 1 | Cable Assy 6 AWG (RED, 14" Wire #10 / Not Shown) |
| 44 | 56397122 | 1 | Switch, Rocker (Brush Remove / S3) |
| 45 | 56397123 | 1 | Potentiometer, 25K (Speed Limit / R1) |
| 46 | 56397124 | 1 | Timer Module Assy (A2) |
| 47 | 56397149 | 2 | Gasket |
| 48 | 56397164 | 1 | Guard |
| 49 | 56397184 | 2 | Plate, Jumper (26" models only) |
| 50 | 56397187 | 1 | Connector Assy (connected to batteries) |
| * | 56100621 | 1 | Connector Housing, 24V Red |
| * | 56100685 | 2 | #4 Contact |
| 51 | 56397188 | 1 | Connector Assy (connected to machine) |
| * | 56100621 | 1 | Connector Housing, 24V Red |
| * | 56100685 | 2 | #4 Contact |
| 52 | 56397189 | 1 | Spacer |
| 53 | 56397190 | 1 | Conduit |
| 54 | 56454423 | 1 | Circuit Breaker, 30A (Wheel Drive / F3) |
| 55 | 56462362 | 1 | Switch Assy, NC (Brush Switch / S6) |
| 56 | 393718 | 1 | Hourmeter |
| * | 56397208 | 1 | Spacer, Battery (Advance only) |
| * | 56398090 | 8 | Terminal Clamp, Battery (Nilfisk only) |

* = Not Shown

NOTE #1: BA 550 before SN1645714 / BA 650 before SN1645725 / ConvertaMAX 20 before SN1646755 / ConvertaMAX 26 before SN1646758

NOTE #2: BA 550 after SN1645713 / BA 650 after SN1645724 / ConvertaMAX 20 after SN1646754 / ConvertaMAX 26 after SN1646757

FORM NO. 56042432

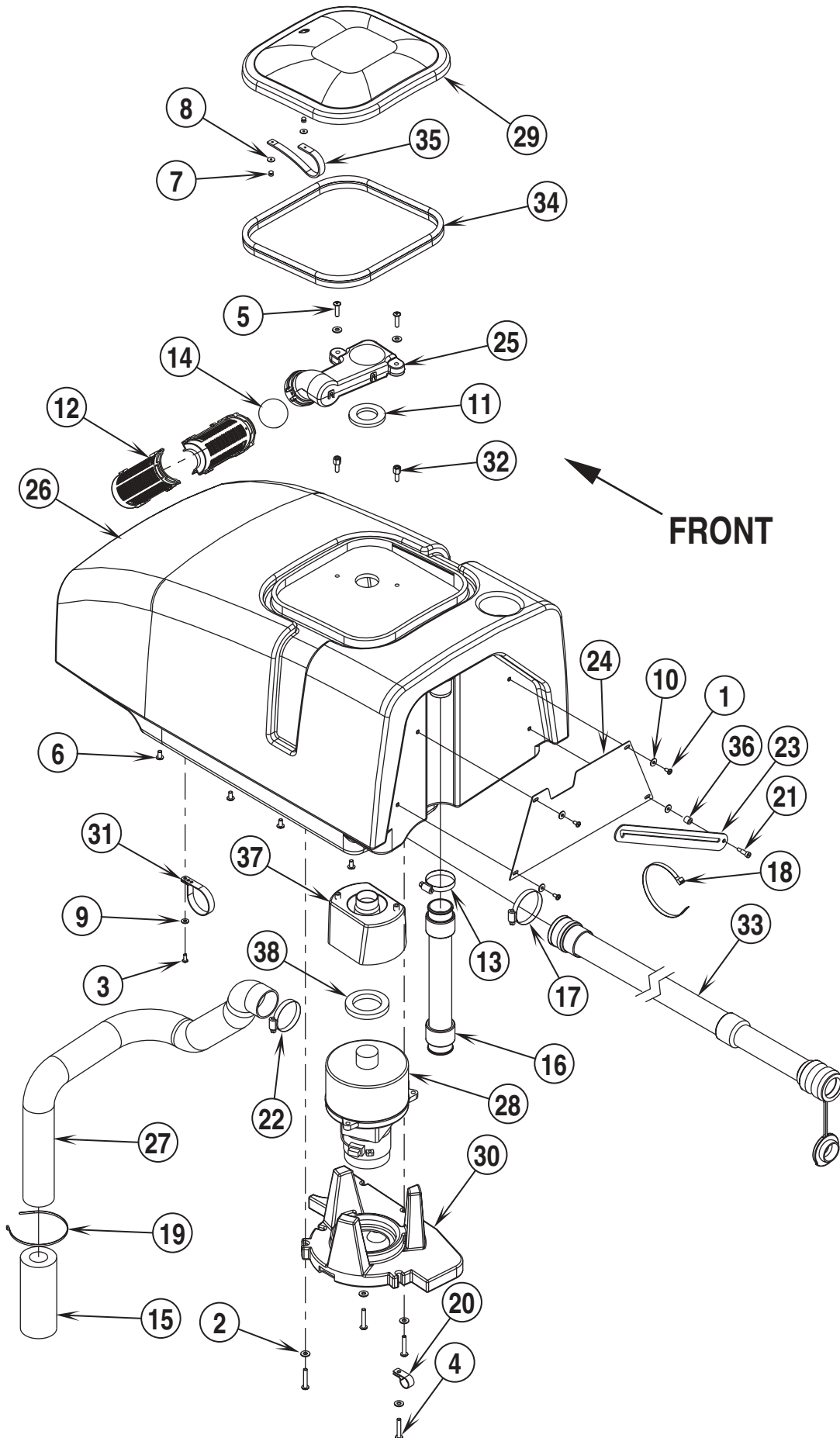


| | | | | |
|------|--|---------------|---------------|----------|
| 02-4 | HANDLE SYSTEM | BOOK E | | |
| 03-1 | ConvertaMAX™ 20, 26 / BA 550, 650 | E | 12.6.1 | 9 |

| Item | Ref. No. | Qty | Description |
|------|----------|-----|---|
| 1 | 56002006 | 2 | Wsh, Flt SAE #6 |
| 2 | 56003197 | 6 | Scr, Pan Plastite 6-18 x .62 |
| 3 | 56003199 | 4 | Scr, Pan Plastite 8-15 x 1.50 |
| 4 | 56003354 | 1 | Scr, Pan Phil M4 x 12mm |
| 5 | 56003527 | 1 | Scr, Pan Phil Plastite 1/4-10 x 2.00 |
| 6 | 56009030 | 1 | Scr, Pan Phil Thd Form 10-24 x .38 |
| 7 | 56009090 | 4 | Scr, Pan Phil Loc 1/4-20 x 1.25 |
| 8 | 56009096 | 1 | Wsh, Flt .193 x .875 x .060 |
| 9 | 56220507 | 1 | Clamp, P |
| 10 | 56325654 | 2 | Spring, Compression |
| 11 | 56478246 | 1 | Tie, Cable |
| 12 | 56009287 | 1 | Scr, Pan Phil Type B 8 x 2.00 |
| 13 | 56396233 | 1 | Harness Assembly TSBUS2003-838 / NOTE #1 |
| | 56396299 | 1 | Harness Assembly TSBUS2003-838 / NOTE #2 |
| 14 | 56397015 | 1 | Cam Controller |
| 15 | 56397029 | 1 | Potentiometer, 5K (R2) |
| 16 | 56397030 | 1 | Paddle, Front Molded |
| 17 | 56397031 | 1 | Paddle, Back Molded |
| 18 | 56397034 | 1 | Weldment, Handle |
| 19 | 56397109 | 1 | Sleeve |
| 20 | 56397170 | 3 | Washer, Plastic |
| 21 | 56397171 | 2 | Clamp |
| 22 | 56397172 | 1 | Potentiometer Fork |

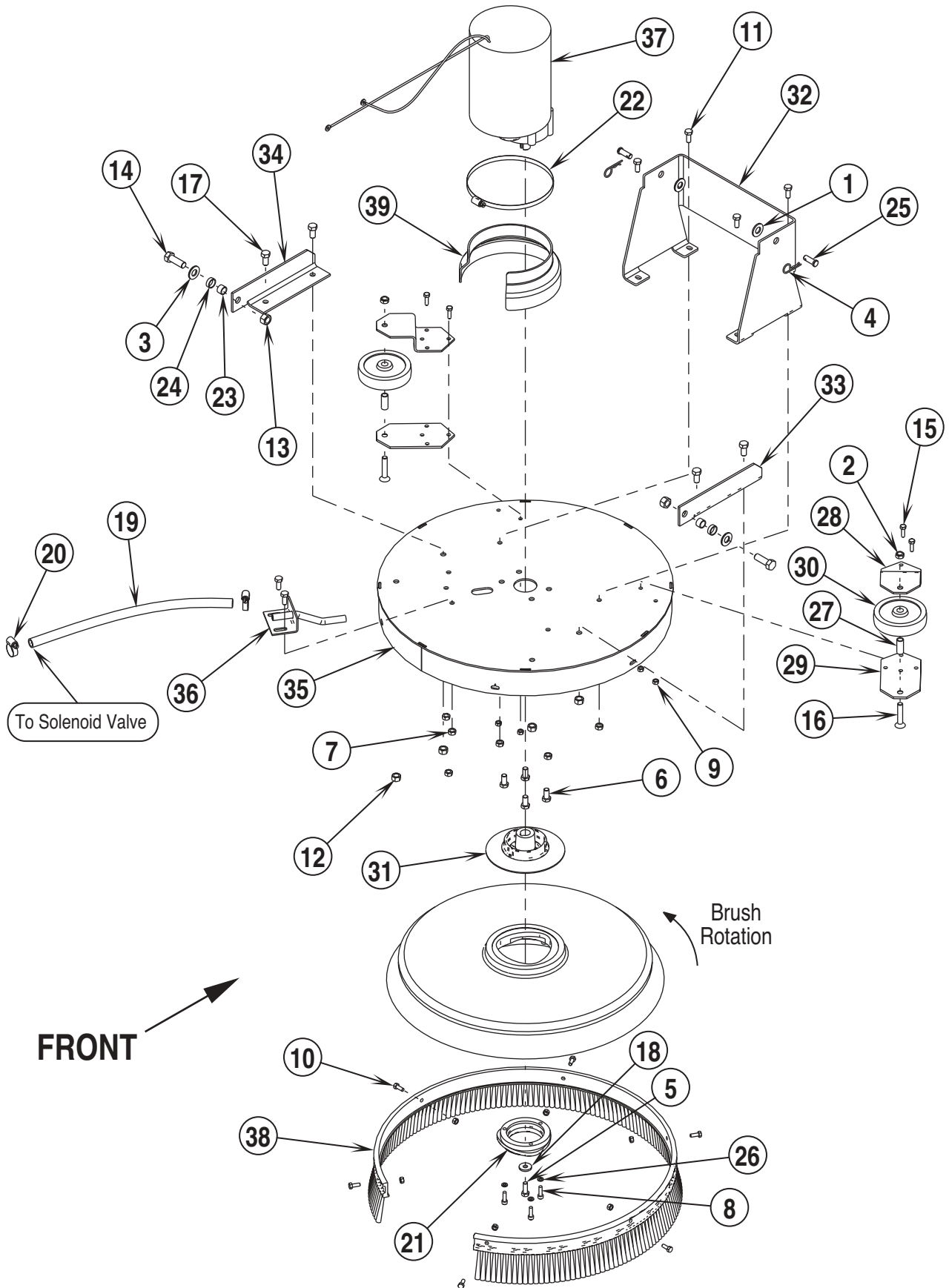
NOTE #1: BA 550 before SN1645714 / BA 650 before SN1645725 / ConvertaMAX 20 before SN1646755 / ConvertaMAX 26 before SN1646758

NOTE #2: BA 550 after SN1645713 / BA 650 after SN1645724 / ConvertaMAX 20 after SN1646754 / ConvertaMAX 26 after SN1646757



| Item | Ref. No. | Qty | Description |
|------|----------|-----|-----------------------------------|
| 1 | 56002043 | 3 | Scr, Pan Phil 10-24 x .38 |
| 2 | 56002859 | 6 | Wsh, Flt SAE SS 1/4 |
| 3 | 56002900 | 1 | Scr, Pan Phil SS 10-24 x .50 |
| 4 | 56002905 | 4 | Scr, Pan Phil SS 1/4-20 x 1.50 |
| 5 | 56003067 | 2 | Scr, Pan Phil SS 1/4-20 x 1.00 |
| 6 | 56003119 | 4 | Scr, Pan Phil SS 1/4-20 x .50 |
| 7 | 56003293 | 2 | Rivet, Pop A/S .125 x .38 / .50 |
| 8 | 56009098 | 2 | Wsh, Flt SS .125 x .500 x .036 |
| 9 | 56009205 | 1 | Wsh, Flt SS #10 |
| 10 | 56009267 | 4 | Wsh, Flt .202 x .562 x .040 |
| 11 | 56302165 | 1 | Gasket |
| 12 | 56324497 | 2 | Cage, Float |
| 13 | 56329145 | 1 | Clamp, Hose SAE #24 |
| 14 | 56391690 | 1 | Ball, Float |
| 15 | 56391807 | 1 | Foam, Acoustical |
| 16 | 56392170 | 1 | Hose Assembly |
| 17 | 56440213 | 1 | Clamp, Hose SAE #32 |
| 18 | 56477613 | 1 | Tie, Cable |
| 19 | 56478523 | 1 | Tie, Cable |
| 20 | 56486112 | 1 | Clamp, P |
| 21 | 56003624 | 1 | Scr, Soc Shd .25 x .50 x 10-24 |
| 22 | 56049999 | 1 | Clamp, Hose SAE #28 |
| 23 | 56057508 | 1 | Bar, Steel |
| 24 | 56057860 | 1 | Panel, Steel |
| 25 | 56302142 | 1 | Float Duct |
| 26 | 56397023 | 1 | Tank, Recovery (Advance) |
| | 56397150 | 1 | Tank, Recovery (Nilfisk) |
| 27 | 56397040 | 1 | Hose, Vac Exhaust |
| 28 | 56397041 | 1 | Motor, Vac 24VDC |
| * | 56397098 | 1 | Carbon Brush Set |
| 29 | 56397045 | 1 | Lid |
| 30 | 56397046 | 1 | Vac Motor Duct |
| 31 | 56397095 | 1 | Clamp, Hose |
| 32 | 56397096 | 2 | Spacer Bolt |
| 33 | 56397142 | 1 | Drain Hose |
| 34 | 56397151 | 1 | Gasket |
| 35 | 56397167 | 1 | Strap, Retaining |
| 36 | 56397225 | 1 | Spacer, Phenolic |
| 37 | 56397303 | 1 | Spacer, Vac Motor |
| 38 | 56397307 | 1 | Gasket, Vac |

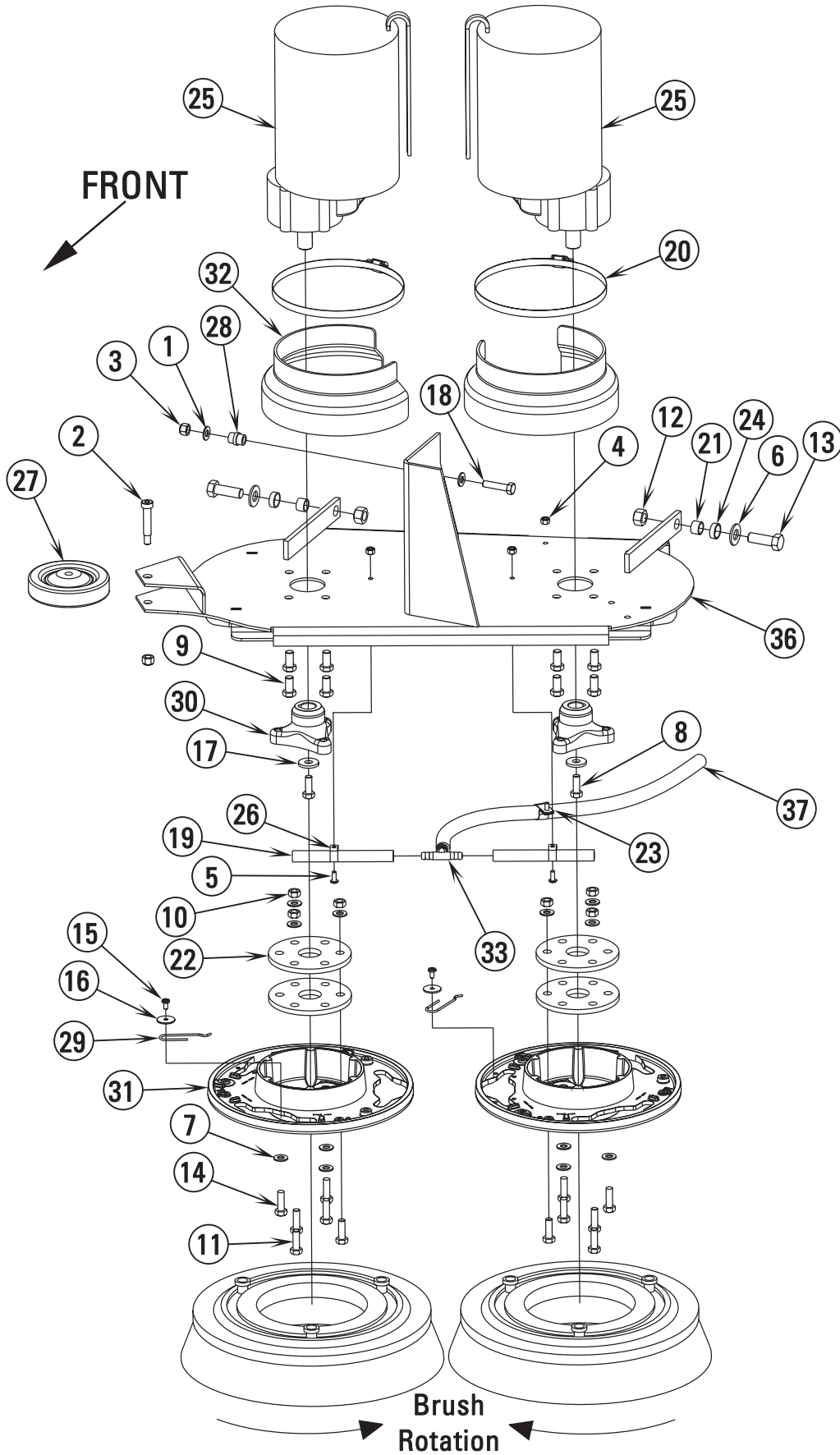
* = Not Shown



| Item | Ref. No. | Qty | Description |
|------|----------|-----|--------------------------------------|
| 1 | 56001879 | 2 | Wsh, Flt SAE 1/2 |
| 2 | 56002841 | 2 | Nut, Hex Nyl Loc-Thin 3/8-16 |
| 3 | 56002918 | 2 | Wsh, Flt SAE SS 1/2 |
| 4 | 56002959 | 2 | Pin, Cotter Hair |
| 5 | 56003335 | 1 | Scr, Hex Loc SS 5/16-18 x .88 |
| 6 | 56003338 | 4 | Scr, Hex Loc SS 3/8-16 x .75 |
| 7 | 56003405 | 6 | Nut, Hex Nyl Loc SS M8-1.25 |
| 8 | 56003424 | 3 | Scr, Socket Hd SS M6-1.00 x 20mm |
| 9 | 56003426 | 10 | Nut, Hex Nyl Loc SS M6-1.00 |
| 10 | 56003431 | 6 | Scr, Hex Hd SS M6-1.00 x 16mm |
| 11 | 56003435 | 6 | Scr, Hex Hd SS M8-1.25 x 20mm |
| 12 | 56003438 | 4 | Nut, Hex Nyl Loc SS M10-1.50 |
| 13 | 56003450 | 2 | Nut, Hex Nyl Loc SS M12-1.75 |
| 14 | 56003453 | 2 | Scr, Hex Hd SS M12-1.75 x 35mm |
| 15 | 56003454 | 4 | Scr, Hex Thd To Hd SS M6-1.00 x 20MM |
| 16 | 56003524 | 2 | Scr, Flt Soc 3/8-16 x 2.00 |
| 17 | 56003533 | 4 | Scr, Hex Hd SS M10-1.50 x 20mm |
| 18 | 56009122 | 1 | Washer |
| 19 | 56459064 | 1 | Hose, PVC Clear |
| 20 | 56219932 | 2 | Clamp, Hose SAE #6 |
| 21 | 56325611 | 1 | Drive Lug, Polygon |
| 22 | 56355488 | 1 | Clamp, Hose SAE #96 |
| 23 | 56360627 | 2 | Bushing |
| 24 | 56478781 | 2 | Bearing, Sleeve |
| 25 | 56003523 | 2 | Clevis Pin, .38 x 1.00 |
| 26 | 56003547 | 3 | Wsh, Flt 6.4mm x 11mm x 1.6mm |
| 27 | 56054018 | 2 | Spacer, Steel |
| 28 | 56057850 | 2 | Plate, Steel |
| 29 | 56057873 | 2 | Plate, Steel |
| 30 | 56111639 | 2 | Wheel |
| 31 | 56397037 | 1 | Clutch Plate, Aluminum |
| 32 | 56397070 | 1 | Bracket, U-Brush Head |
| 33 | 56397072 | 1 | Bracket, Brush Head, Right |
| 34 | 56397073 | 1 | Bracket, Brush Head, Left |
| 35 | 56397076 | 1 | Weldment, Brush Head Cover |
| 36 | 56397078 | 1 | Weldment, Formed Tube |
| 37 | 56397079 | 1 | Motor (M3) |
| *** | 56397090 | 1 | Bearing, B.E. |
| *** | 56397135 | 1 | Bearing, F.E. |
| *** | 56397138 | 4 | Brush Spring |
| *** | 56397139 | 4 | Brush Assy |
| *** | 56397092 | 1 | Brush Board Assy (Springs/Brushes) |
| 38 | 56397111 | 1 | Skirt, Bristle |
| 39 | 56397112 | 1 | Shroud, Motor |
| ** | 56396248 | 1 | Kit, Rubber Splash Guard |
| ** | 56325502 | 1 | Pad Holder |
| ** | 56325504 | 1 | Brush, Prolene Medium |
| ** | 56325505 | 1 | Brush, ProLite Soft |
| ** | 56325506 | 1 | Brush, MidLite 180 Grit |
| ** | 56325507 | 1 | Brush, MidGrit Medium |
| ** | 56325508 | 1 | Brush, Union Mix |
| ** | 56505201 | 1 | Brush, MagnaGrit 46 |
| ** | 56505203 | 1 | Brush, DynaGrit 80 |
| ** | 56505205 | 1 | Brush, AgLite Grit 500 |

** = Not Included (optional)

*** = Replacement Parts for 56397079

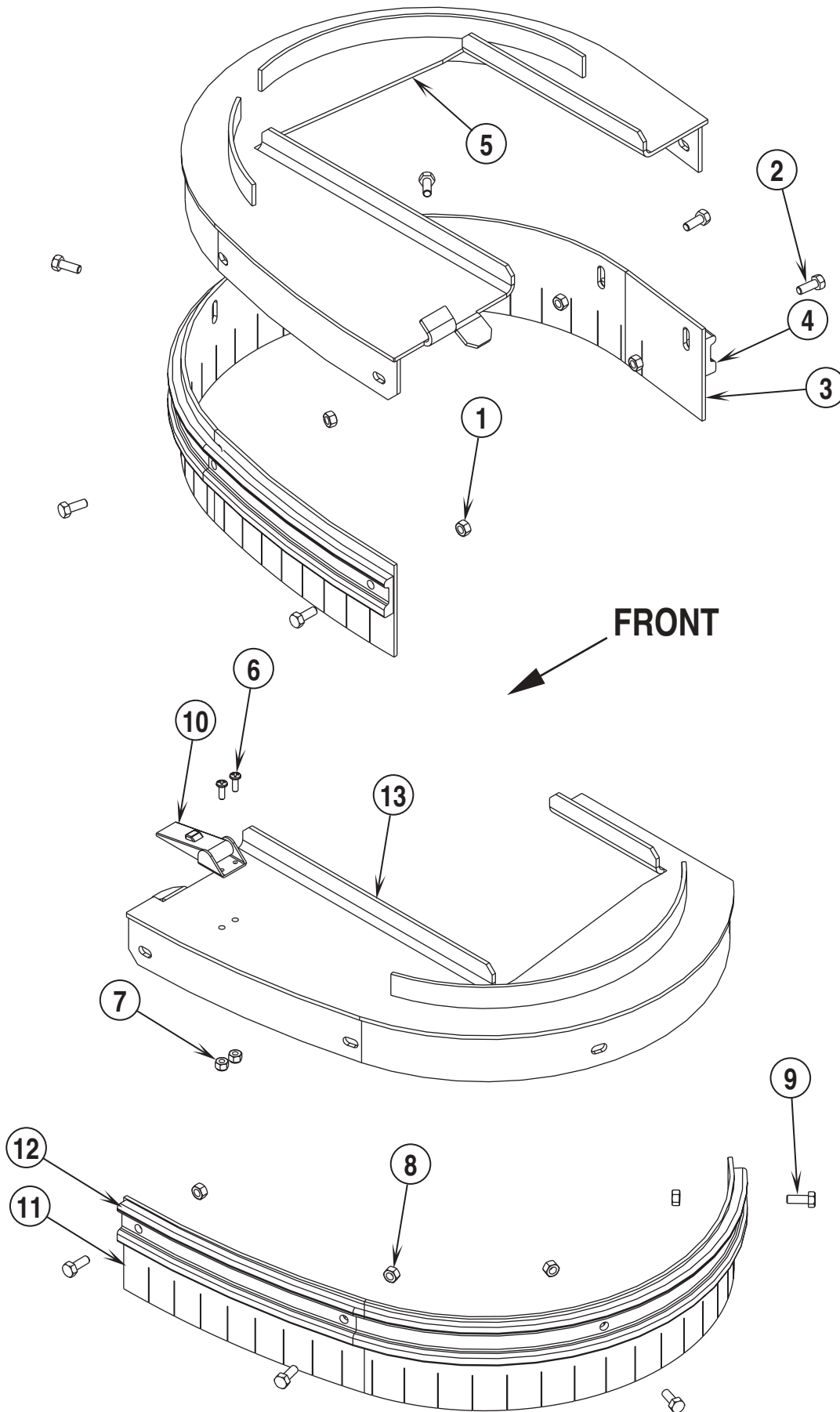


| | | | |
|-------|--|---------------|------------------|
| 02-4 | SCRUB DECK SYSTEM-26" | BOOK E | |
| 03-10 | ConvertaMAX™ 20, 26 / BA 550, 650 | E | 12.6.1 15 |

| Item | Ref. No. | Qty | Description |
|------|----------|-----|---|
| 1 | 56001939 | 2 | Wsh, Flt SAE 5/16 |
| 2 | 56002625 | 1 | Scr, Soc Shd .38 x 1.50 x 5/16-18 |
| 3 | 56002701 | 2 | Nut, Hex Nyl Loc 5/16-18 |
| 4 | 56002836 | 3 | Nut, Hex Nyl Loc SS 10-24 |
| 5 | 56002900 | 3 | Scr, Pan Phil SS 10-24 x .50 |
| 6 | 56002918 | 2 | Wsh, Flt SAE SS 1/2 |
| 7 | 56002938 | 12 | Wsh, Flt SAE SS 5/16 |
| 8 | 56003335 | 2 | Scr, Hex Loc SS 5/16-18 x .88 |
| 9 | 56003338 | 8 | Scr, Hex Loc SS 3/8-16 x .75 |
| 10 | 56003405 | 6 | Nut, Hex Nyl Loc SS M8-1.25 |
| 11 | 56003436 | 6 | Scr, Hex Hd SS M8-1.25 x 25mm |
| 12 | 56003450 | 2 | Nut, Hex Nyl Loc SS M12-1.75 |
| 13 | 56003453 | 2 | Scr, Hex Hd SS M12-1.75 x 35mm |
| 14 | 56003477 | 6 | Scr, Hex Loc SS M8-1.00 x 25mm |
| 15 | 56009030 | 2 | Scr, Pan Phil Thd Form 10-24 x .38 |
| 16 | 56009096 | 2 | Wsh, Flt .193 x .875 x .060 |
| 17 | 56009107 | 2 | Wsh, Flt SS .378 x 1.000 x .120 |
| 18 | 56009256 | 1 | Scr, Hex Hd 5/16-18 x 1.38 |
| 19 | 56257534 | 2 | Hose, PVC |
| 20 | 56355488 | 2 | Clamp, Hose SAE #96 |
| 21 | 56360627 | 2 | Bushing |
| 22 | 56407053 | 4 | Thermoid Disk |
| 23 | 56442003 | 1 | Clamp, P |
| 24 | 56478781 | 2 | Bearing, Sleeve |
| 25 | 56027153 | 2 | Motor / Gearbox Assembly (M3 / M4) |
| *** | 56397090 | 1 | Bearing, B.E. |
| *** | 56397135 | 1 | Bearing, F.E. |
| *** | 56397138 | 4 | Brush Spring |
| *** | 56039276 | 4 | Brush Assy |
| *** | 56397048 | 1 | Brush Board Assy (Springs/Brushes) |
| 26 | 56056903 | 2 | Clamp, P |
| 27 | 56228102 | 1 | Wheel |
| 28 | 56397024 | 1 | Bushing |
| 29 | 56397081 | 2 | Spring Retainer |
| 30 | 56314031 | 2 | Hub, Drive |
| 31 | 56314030 | 2 | Brush Holder |
| 32 | 56397112 | 2 | Shroud, Motor |
| 33 | 56397300 | 1 | Tee, Barb |
| 34 | 56397560 | 1 | Assy, Brush Cover, Left (following pages) |
| 35 | 56397561 | 1 | Assy, Brush Cover, Right (following pages) |
| 36 | 56397571 | 1 | Scrub Deck Weld't. |
| 37 | 56397599 | 1 | Hose, PVC Clear |
| ** | 56505760 | 2 | Pad Holder |
| ** | 56505761 | 2 | Magna Grit 46 Brush |
| ** | 56505762 | 2 | Dyna Grit 80 Brush |
| ** | 56505763 | 2 | AgLite Grit 500 Brush |
| ** | 56505764 | 2 | Prolene Brush |
| ** | 56505765 | 2 | Prolite Brush |
| ** | 56505766 | 2 | Union Mix Polish Brush |
| ** | 56505767 | 2 | MidGrit 240 Brush |
| ** | 56505768 | 2 | MidLite 180 Brush |

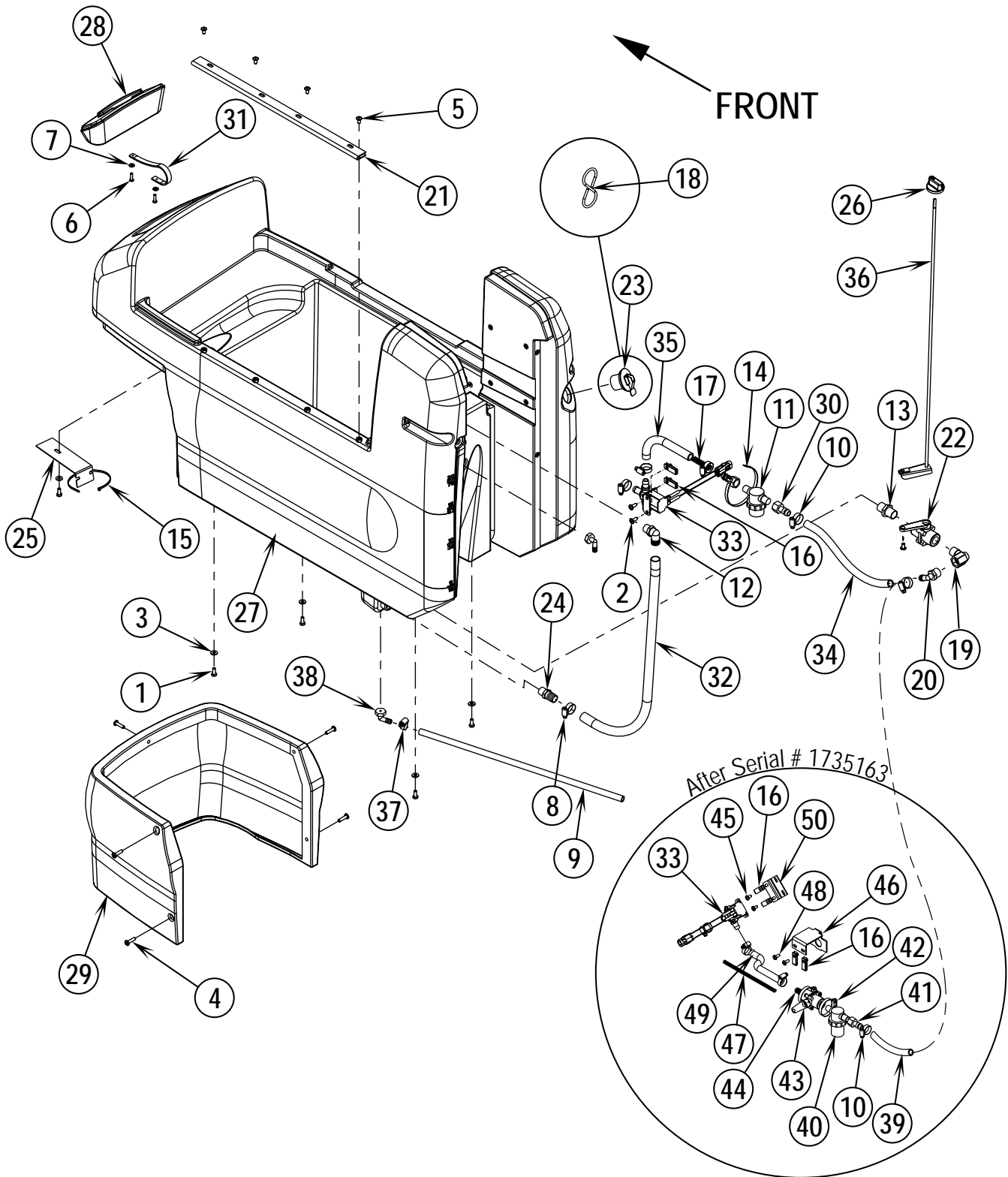
** = Not Included (optional)

*** = Replacement Parts for 56027153



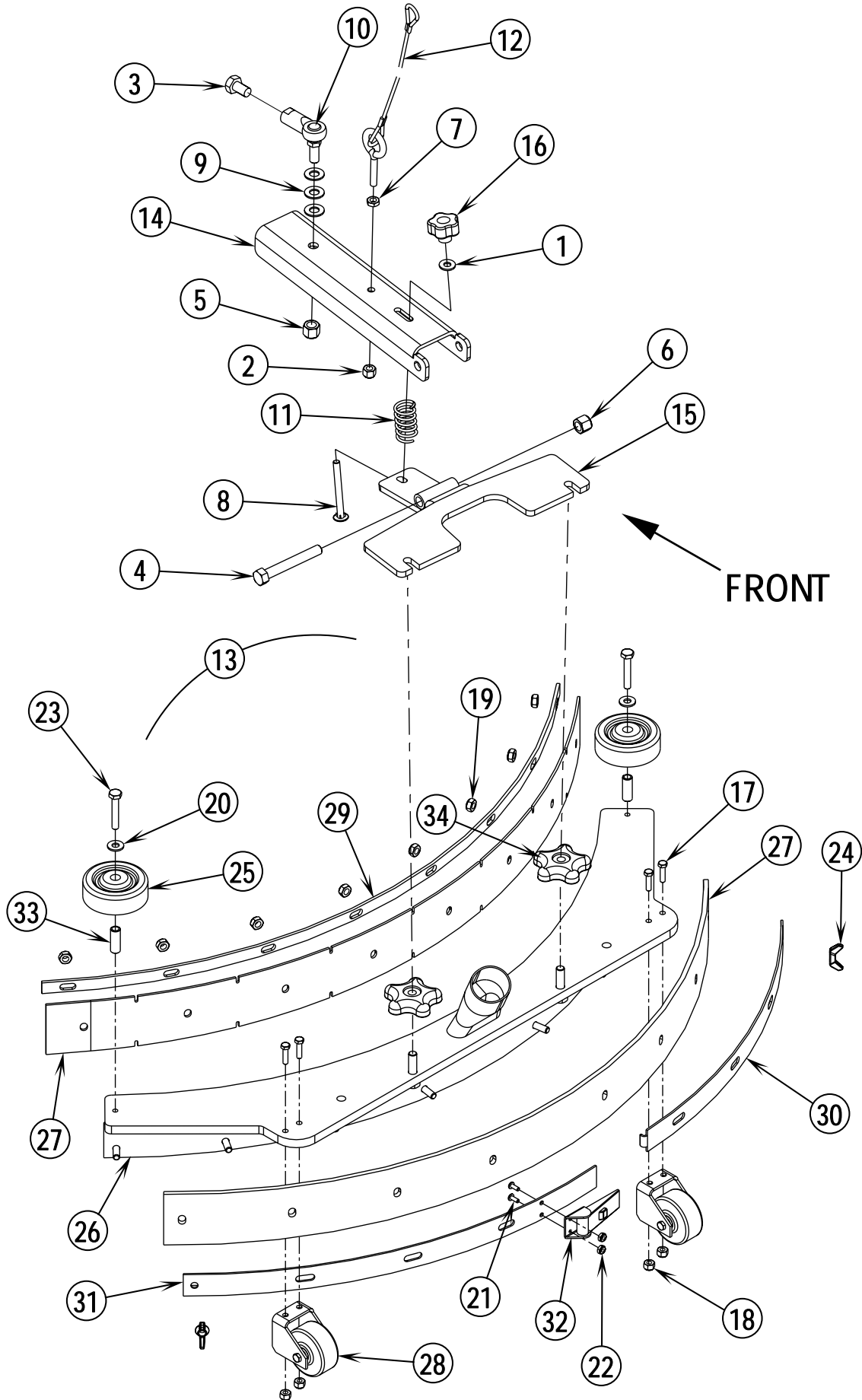
| Item | Ref. No. | Qty | Description |
|------|----------|-----|-------------------------------------|
| | 56397561 | 1 | Assembly, Brush Cover, Right (#1-5) |
| | 56397560 | 1 | Assembly, Brush Cover, Left (#6-13) |
| 1 | 56003426 | 6 | Nut, Hex Nyl Loc SS M6-1.00 |
| 2 | 56003431 | 6 | Scr, Hex Hd SS M6-1.00 x 16mm |
| 3 | 56397000 | 1 | Blade, Right |
| ** | 56397346 | 1 | Skirt, Bristle |
| 4 | 56397004 | 1 | Channel, Right |
| 5 | 56397563 | 1 | Brush Cover Weld't, Right |
| 6 | 56002876 | 2 | Scr, Pan Phil SS 8-32 x .50 |
| 7 | 56002877 | 2 | Nut, Hex Nyl Loc SS 8-32 |
| 8 | 56003426 | 4 | Nut, Hex Nyl Loc SS M6-1.00 |
| 9 | 56003431 | 4 | Scr, Hex Hd SS M6-1.00 x 16mm |
| 10 | 56471194 | 1 | Latch Assembly |
| 11 | 56397002 | 1 | Blade, Left |
| ** | 56397347 | 1 | Skirt, Bristle |
| 12 | 56397006 | 1 | Channel, Left |
| 13 | 56397562 | 1 | Brush Cover Weld't, Left |

** = Not Included (optional)



| | | | | |
|------|--|---------------|---------------|-----------|
| 02-4 | SOLUTION SYSTEM | BOOK E | | |
| 04-3 | ConvertaMAX™ 20, 26 / BA 550, 650 | E | 12.6.1 | 19 |

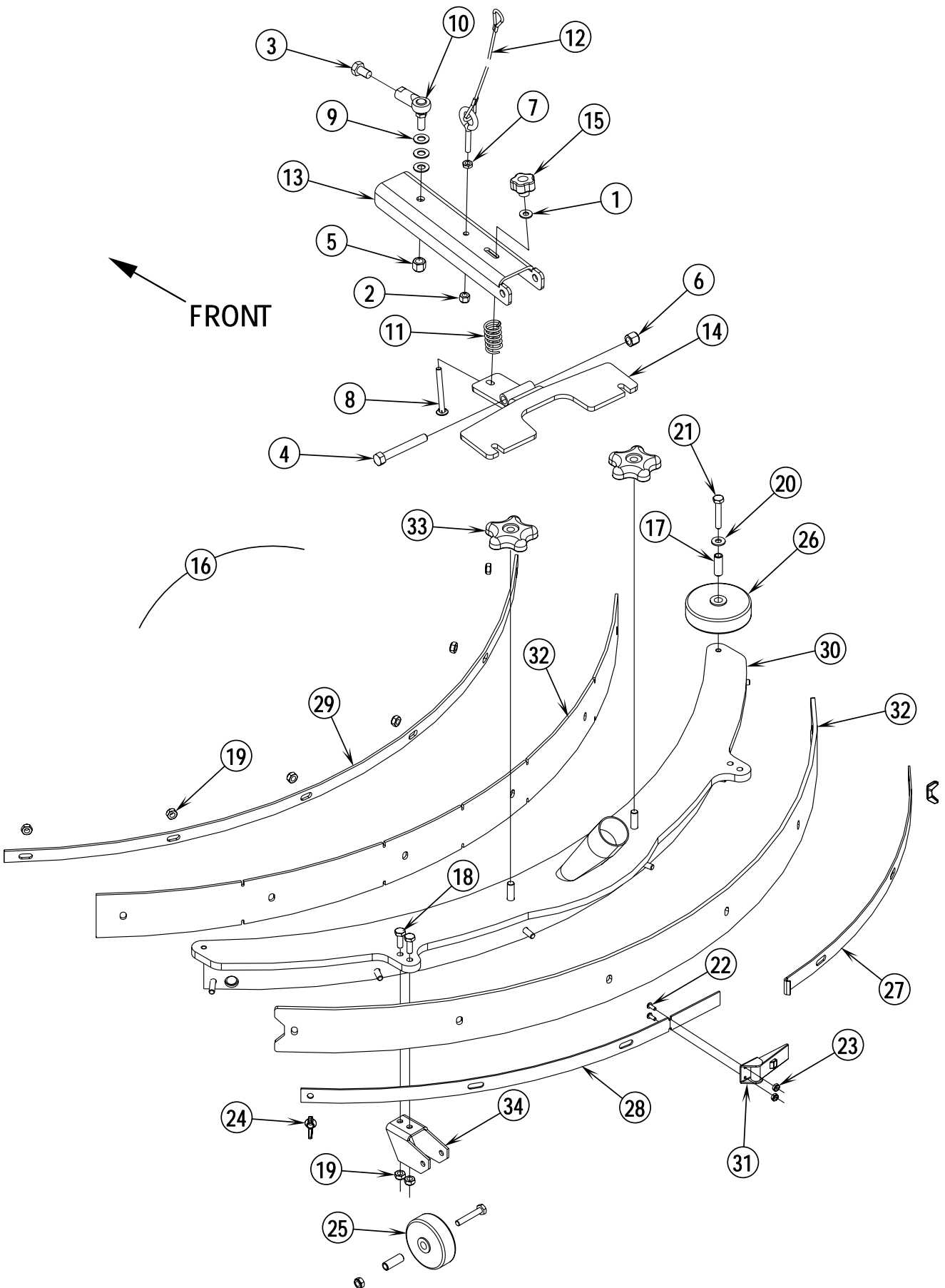
| Item | Ref. No. | Qty | Description |
|---|----------|-----|---|
| 1 | 56001836 | 5 | Scr, Hex Hd 1/4-20 x .62 |
| 2 | 56002066 | 2 | Scr, Pan Phil 1/4-20 x .62 |
| 3 | 56002098 | 7 | Wsh, Flt SAE 1/4 |
| 4 | 56002292 | 5 | Scr, Pan Phil 1/4-20 x 1.00 |
| 5 | 56003119 | 5 | Scr, Pan Phil SS 1/4-20 x .50 |
| 6 | 56009005 | 2 | Scr, Pan Phil SS Type B 10-16 x .75 |
| 7 | 56009205 | 2 | Wsh, Flt SS #10 |
| 8 | 56112771 | 1 | Clamp, Hose SAE #10 |
| 9 | 56201036 | 1 | Hose, PVC |
| 10 | 56219932 | 5 | Clamp, Hose SAE #6 |
| 11 | 56260905 | 1 | Strainer |
| 12 | 56264442 | 1 | Barb, 90 Elbow 3/4 x 3/8NPT |
| 13 | 56412182 | 1 | Nipple, Hex 3/4-14 |
| 14 | 56477613 | 1 | Tie, Cable |
| 15 | 56478523 | 1 | Tie, Cable |
| 16 | 56009289 | 2 | Nut, U Multi-Thread 1/4-20 (qty of 4 after serial #1735163) |
| 17 | 56048979 | 1 | Compression Spring |
| 18 | 56051836 | 1 | Hook |
| 19 | 56055071 | 1 | Street Elbow |
| 20 | 56056231 | 1 | Elbow, Fitting |
| 21 | 56056514 | 1 | Hinge |
| 22 | 56057830 | 1 | Valve, Ball |
| 23 | 56057852 | 1 | Plug, Expansion |
| 24 | 56057868 | 1 | Fitting, Barb |
| 25 | 56057904 | 1 | Bracket, Exhaust Hose |
| 26 | 56396201 | 1 | Knob |
| 27 | 56397020 | 1 | Tank, Solution |
| 28 | 56397021 | 1 | Lid, Solution |
| 29 | 56397022 | 1 | Cover, Front |
| 30 | 56397145 | 2 | Barb, Hose Female |
| 31 | 56397167 | 1 | Strap, Retaining |
| 32 | 56397186 | 1 | Tube, PVC .75 |
| 33 | 56397203 | 1 | Solenoid Valve Assy (L1) |
| 34 | 56397207 | 1 | Hose, PVC Clear, 7.00 |
| 35 | 56397209 | 1 | Hose, PVC Clear, 5.50 |
| 36 | 56397320 | 1 | Flow Valve Weld't. |
| 37 | 56756364 | 1 | Clamp, Hose SAE #4 |
| 38 | 56900033 | 2 | Barb, 90 Elbow 3/8 x 1/2NPT |
| Components used only after serial #1735163 | | | |
| 39 | 56397382 | 1 | Hose, PVC Clear |
| 40 | 56396510 | 1 | Strainer |
| 41 | 56396509 | 1 | Barb, Hose Female |
| 42 | 56329145 | 2 | Clamp, Hose SAE #24 |
| 43 | 56396505 | 1 | Valve, Solution |
| 44 | 56412184 | 1 | Barb, Adapter 1/2 x 1/2NPT |
| 45 | 56002145 | 4 | Scr, Pan Phil 1/4-20 x .50 |
| 46 | 56396506 | 1 | Bracket, Valve |
| 47 | 56373686 | 1 | Spring, Compression |
| 48 | 56003213 | 2 | Scr, Pan Phil Blk 1/4-20 x .62 |
| 49 | 56262663 | 1 | Hose, PVC Clear |



| | | | | |
|------|--|---------------|---------------|-----------|
| 02-4 | SQUEEGEE SYSTEM-20" | BOOK E | | |
| 04-3 | ConvertaMAX™ 20, 26 / BA 550, 650 | E | 12.6.1 | 21 |

| Item | Ref. No. | Qty | Description |
|------|----------|-----|---------------------------------------|
| 1 | 56002098 | 2 | Wsh, Flt SAE 1/4 |
| 2 | 56002856 | 1 | Nut, Hex Nyl Loc SS 5/16-18 |
| 3 | 56002597 | 1 | Scr, Hex Hd 3/8-24 x .75 |
| 4 | 56002903 | 1 | Scr, Hex Hd SS 3/8-16 x 2.75 |
| 5 | 56002951 | 1 | Nut, Hex Nyl Loc 3/8-24 |
| 6 | 56003219 | 1 | Nut, Hex Nyl Loc SS 3/8-16 |
| 7 | 56009141 | 1 | Nut, Hex Jam 5/16-18 |
| 8 | 56009276 | 1 | Scr, Carriage 1/4-20 x 2.50 |
| 9 | 56002063 | 3 | Wsh, Flt SAE 3/8 TSBUS2003-840 |
| 10 | 56397385 | 1 | Rod End TSBUS2003-840 |
| 11 | 56056519 | 1 | Compression Spring |
| 12 | 56397559 | 1 | Rope, Wire |
| 13 | 56397100 | 1 | Squeegee Assembly (#17-35) |
| 14 | 56397104 | 1 | Bracket, Squeegee Mount |
| 15 | 56397107 | 1 | Weldment, Squeegee Bracket |
| 16 | 56397108 | 1 | Knob, Squeegee Mount |
| 17 | 56002835 | 4 | Scr, Hex Hd SS 10-24 x .75 |
| 18 | 56002836 | 4 | Nut, Hex Nyl Loc SS 10-24 |
| 19 | 56002850 | 8 | Nut, Hex Nyl Loc-Thin SS 1/4-20 |
| 20 | 56002859 | 2 | Wsh, Flt SAE SS 1/4 |
| 21 | 56002909 | 2 | Scr, Pan Phil SS 6-32 x .38 |
| 22 | 56002964 | 2 | Nut, Hex Nyl Loc-Thin SS 6-32 |
| 23 | 56002993 | 2 | Scr, Hex Loc SS 1/4-20 x 1.50 |
| 24 | 56009111 | 2 | Nut, Wing SS 1/4-20 |
| 25 | 56363855 | 2 | Wheel |
| 26 | 56397102 | 1 | Weldment, Squeegee Tool |
| 27 | 56393395 | 1 | Blade Kit, Standard |
| ** | 56393396 | 1 | Blade Kit, Oil Resistant |
| ** | 56397329 | 1 | Blade, Front-Tile Gum |
| 28 | 56393755 | 2 | Roller Assembly |
| 29 | 56393761 | 1 | Strap, Front |
| 30 | 56393762 | 1 | Strap, Rear Right |
| 31 | 56393763 | 1 | Strap, Rear Left |
| 32 | 56471194 | 1 | Latch Assembly |
| 33 | 56471220 | 2 | Bushing |
| 34 | 56396254 | 2 | Knob |

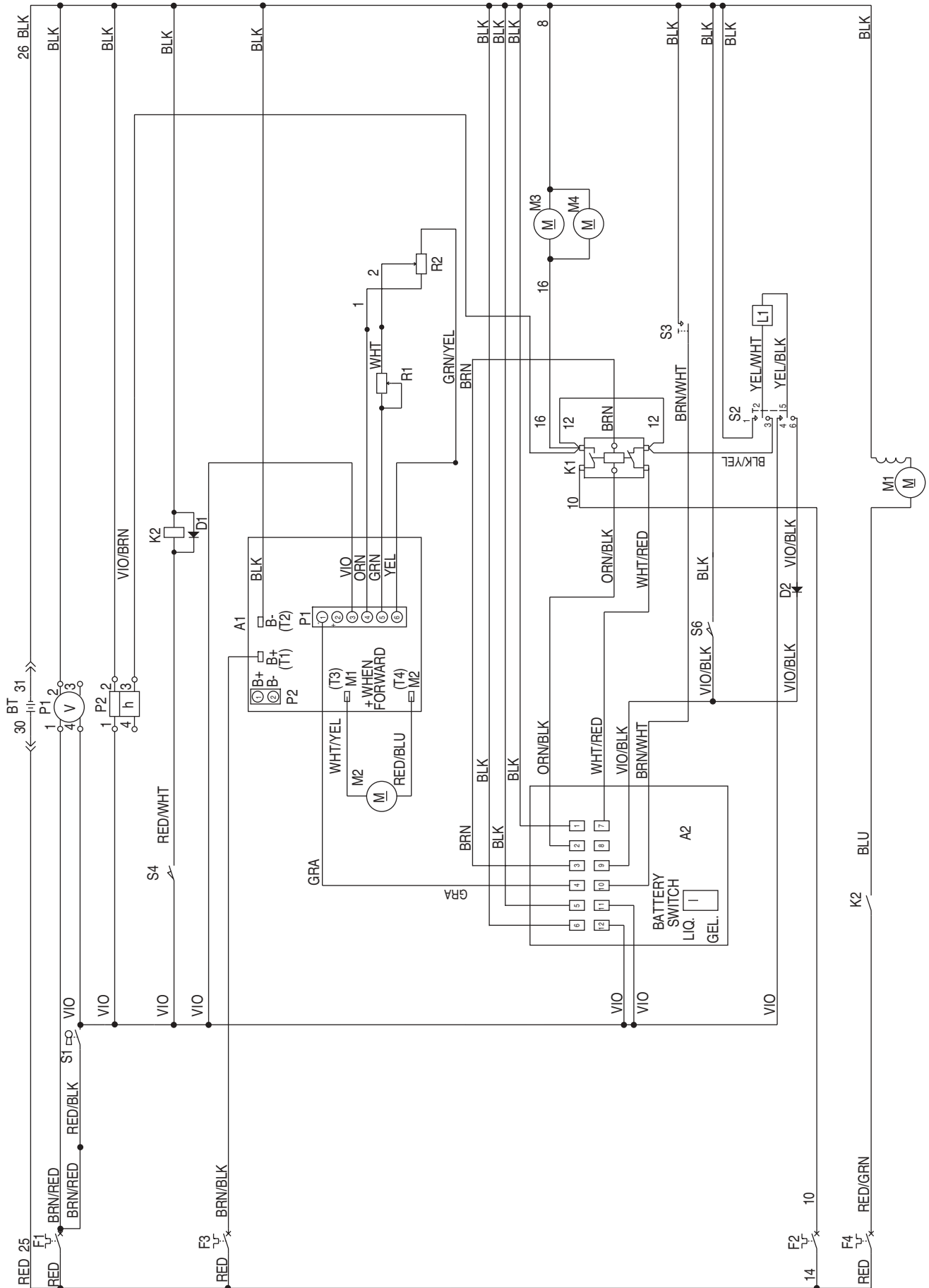
** = Not Included (optional)



| | | | | |
|------|--|---------------|---------------|-----------|
| 02-4 | SQUEEGEE SYSTEM-26" | BOOK E | | |
| 04-3 | ConvertaMAX™ 20, 26 / BA 550, 650 | E | 12.6.1 | 23 |

| Item | Ref. No. | Qty | Description |
|------|----------|-----|---------------------------------------|
| 1 | 56002098 | 2 | Wsh, Flt SAE 1/4 |
| 2 | 56002856 | 1 | Nut, Hex Nyl Loc SS 5/16-18 |
| 3 | 56002597 | 1 | Scr, Hex Hd 3/8-24 x .75 |
| 4 | 56002903 | 1 | Scr, Hex Hd SS 3/8-16 x 2.75 |
| 5 | 56002951 | 1 | Nut, Hex Nyl Loc 3/8-24 |
| 6 | 56003219 | 1 | Nut, Hex Nyl Loc SS 3/8-16 |
| 7 | 56009141 | 1 | Nut, Hex Jam 5/16-18 |
| 8 | 56009276 | 1 | Scr, Carriage 1/4-20 x 2.50 |
| 9 | 56002063 | 3 | Wsh, Flt SAE 3/8 TSBUS2003-840 |
| 10 | 56397385 | 1 | Rod End TSBUS2003-840 |
| 11 | 56056519 | 1 | Compression Spring |
| 12 | 56397559 | 1 | Rope, Wire |
| 13 | 56397104 | 1 | Bracket, Squeegee Mount |
| 14 | 56397107 | 1 | Weldment, Squeegee Bracket |
| 15 | 56397108 | 1 | Knob, Squeegee Mount |
| 16 | 56397185 | 1 | Squeegee Assembly (#17-35) |
| 17 | 56471220 | 4 | Bushing, .25 x .37 x 1.00 |
| 18 | 56002807 | 4 | Scr, Hex Hd SS 1/4-20 x .75 |
| 19 | 56002850 | 12 | Nut, Hex Nyl Loc-Thin SS 1/4-20 |
| 20 | 56002859 | 2 | Wsh, Flt SAE SS 1/4 |
| 21 | 56002901 | 4 | Scr, Hex Hd SS 1/4-20 x 1.50 |
| 22 | 56002909 | 2 | Scr, Pan Phil SS 6-32 x .38 |
| 23 | 56002964 | 2 | Nut, Hex Nyl Loc-Thin SS 6-32 |
| 24 | 56009048 | 2 | Nut, Wing Loc 1/4-20 |
| 25 | 56324350 | 2 | Wheel |
| 26 | 56324499 | 2 | Wheel, 3.00 |
| 27 | 56391286 | 1 | Strap, Rear Right |
| 28 | 56391288 | 1 | Strap, Rear Left |
| 29 | 56391290 | 1 | Strap, Front |
| 30 | 56396236 | 1 | Tool Weldment |
| 31 | 56471194 | 1 | Latch Assembly |
| 32 | 56391340 | 1 | Blade Kit, Standard |
| ** | 56391342 | 1 | Blade Kit, Oil Resistant |
| ** | 56397325 | 1 | Blade, Front-Tile Gum |
| ** | 56397326 | 1 | Blade, Front-Tile Linatex |
| 33 | 56396254 | 2 | Knob |
| 34 | 56409656 | 2 | Bracket, Wheel |
| 35 | 56471194 | 1 | Latch Assembly |

** = Not Included (optional)



| | | | | |
|------|--|---------------|---------------|-----------|
| 02-4 | WIRING DIAGRAM | BOOK E | | |
| 03-4 | ConvertaMAX™ 20, 26 / BA 550, 650 | E | 12.6.1 | 25 |

| Item | Ref. No. | Qty | Description |
|------|----------|-----|--|
| A1 | 56324023 | 1 | Speed Control |
| A2 | 56397124 | 1 | Timer Module Assy |
| BT | | N/A | Battery |
| D1 | 56389265 | 1 | Diode |
| D2 | 56460084 | 1 | Diode (Main Wiring Harness) |
| F1 | 56387316 | 1 | Circuit Breaker, 10 Amp (Auxiliary) |
| F2 | 56452193 | 1 | Circuit Breaker, 40 Amp (20" models / Brush Motor) |
| | 56263260 | 1 | Circuit Breaker, 60 Amp (26" models / Brush Motor) |
| F3 | 56454423 | 1 | Circuit Breaker, 30 Amp (Wheel Drive Motor) |
| F4 | 56454423 | 1 | Circuit Breaker, 30 Amp (Vac Motor) |
| K1 | 56397088 | 1 | Contactor, 24V SPDT (Brush Motor(s)) |
| K2 | 56412179 | 1 | Contactor, 24 VDC (Vacuum Motor) |
| L1 | 56397203 | 1 | Solenoid Valve Assy |
| M1 | 56397041 | 1 | Vac Motor |
| M2 | 56026191 | 1 | Wheel Drive Motor TSBUS2003-838 / NOTE #1 |
| | 56396311 | 1 | Wheel Drive Motor TSBUS2003-838 / NOTE #2 |
| M3 | 56397079 | 1 | Motor, Brush Drive (20" model) |
| | 56027153 | 1 | Motor / Gear Unit, Brush Drive (26" model) |
| M4 | 56027153 | 1 | Motor / Gear Unit, Brush Drive (26" model) |
| P1 | 56372089 | 1 | Fuel Gauge, Battery |
| P2 | 56393718 | 1 | Hourmeter (Optional) |
| R1 | 56397123 | 1 | Potentiometer, 25K |
| R2 | 56397029 | 1 | Potentiometer, 5K |
| S1 | 56301636 | 1 | Switch, Toggle (Main Power) |
| S2 | 56324272 | 1 | Switch, Rocker (Solution) |
| S3 | 56397122 | 1 | Switch, Rocker SPST (Brush Remove) |
| S4 | 56462362 | 1 | Switch, Vacuum |
| S6 | 56462362 | 1 | Switch, Brush |
| 8 | 56397114 | 1 | Cable Assy 6 AWG |
| 10 | 56397118 | 1 | Cable Assy 6 AWG |
| 12 | 56397116 | 1 | Cable Assy 6 AWG |
| 14 | 56397117 | 1 | Cable Assy 6 AWG |
| 16 | 56397115 | 1 | Cable Assy 6 AWG |
| * | 56057920 | 1 | Spacer, Angle, Batt Comp (For use with two 12V Batteries) |
| * | 56397087 | 1 | Harness, Main |

* = Not Shown

** = Not Included (optional)

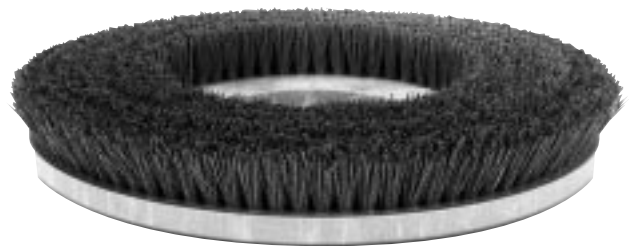
NOTE #1: BA 550 before SN1645714 / BA 650 before SN1645725 / ConvertaMAX 20 before SN1646755 / ConvertaMAX 26 before SN1646758

NOTE #2: BA 550 after SN1645713 / BA 650 after SN1645724 / ConvertaMAX 20 after SN1646754 / ConvertaMAX 26 after SN1646757

We manufacture brushes and pad holders that will give you the best possible performance between machine and floor. Following are descriptions of the materials and their applications.

- Union Mix:** Medium grade natural fibers for polishing finished floors with standard-speed equipment. Recommended for use in place of white pads.
- ProLite:** Bristles are made from light-duty polypropylene for general scrubbing when you do not want to scratch or remove finish from the floor. Recommended for use in place of red pads.
- Prolene:** Polypropylene material for medium-duty scrubbing on concrete, terrazzo and vinyl floor tile. Recommended for use in place of green or blue pads.
- Magna Grit:** For extreme heavy-duty scrubbing or stripping of floors. This brush has extra large diameter silicon carbide grit impregnated synthetic bristles. Recommended for use in place of black pads.
- Dyna Grit:** For aggressive, heavy-duty scrubbing or stripping of floors. Recommended for use in place of brown pads.
- MidLite Grit:** For general purpose scrubbing of sealed or unsealed concrete, stone, terrazzo, quarry tile and other resilient hard floor surfaces. Recommended for use in place of green or blue pads.
- MidGrit:** For general purpose scrubbing when you need a lighter action for sealed or unsealed concrete, stone, terrazzo, quarry tile and other resilient hard floor surfaces. Recommended for use in place of green or blue pads.
- AgLite Grit:** For light scrubbing when used wet; buffing or polishing when used dry on urethane coated, sealed concrete or other resilient hard surface floors. Recommended for use in place of red or white pads.
- Short Trim Pad Holder:** Made with a structural foam block and center ring for correct pad centering. It has a "shower feed" design for getting solution to the floor.

- Ref. No.: 20" BRUSHES**
- 56325502 - Pad Holder
 - 56325504 - Prolene Medium
 - 56325505 - ProLite Soft
 - 56325506 - MidLite 180 Grit
 - 56325507 - MidGrit Medium
 - 56325508 - Union Mix
 - 56505201 - MagnaGrit 46
 - 56505203 - DynaGrit 80
 - 56505205 - AgLite Grit 500



- Ref. No.: 26" BRUSHES**
- 56505760 - Pad Holder
 - 56505761 - MagnaGrit 46
 - 56505762 - DynaGrit 80
 - 56505763 - AgLite Grit 500
 - 56505764 - Prolene
 - 56505765 - ProLite
 - 56505766 - Union Mix
 - 56505767 - MidGrit 240
 - 56505768 - MidLite 180 Grit

DANMARK

Nilfisk-Advance Nordic A/S
Sognevej 25 - Box 344
DK-2605 Brøndby
☎ 43 23 83 50 – Fax 43 42 15 95

NORGE

Nilfisk-Advance AS
Enebakkn, 119, 0680 Oslo, Postboks 196, Manglerud,
0612 Oslo
☎ 22 08 63 50 – Fax 22 08 63 63
Distriktsrepresentanter over hele landet

SVERIGE

Nilfisk-Advance AB
Sjöbjörnsvägen 5, 117 67 Stockholm
☎ 085 55 944 00 – Fax 085 55 944 30

FINLAND/ SUOMI

BERNER Ltd. Facotek Department
Etäleranta 4B, 00130 Helsinki
☎ +358 9 1345 1382

AUSTRALIA

Nilfisk-Advance Pty. Ltd.
48 Egerton Street
Silverwater NSW 2128
☎ (02) 8748 5905 – Fax (02) 9648 2711
Customer Responce Centre:
☎ 1 800 011 013

BELGIQUE / BELGIË/ LUXEMBOURG

Nilfisk-Advance s.a./n.v.
Doornveld/ Sphere Business Park
Industrie Asse 3, nr 11 – bus 41
1731 Zellik-Asse
☎ (02) 467.60.50 Fax (02) 463.44.16

CANADA

Nilfisk-Advance Ltd.
396 Watline Avenue
Mississauga, Ontario L4Z 1X
☎ (905) 712-3260 – Fax (905) 712-3255

DEUTSCHLAND

Nilfisk-Advance AG
Siemensstraße 25-27
25462 Rellingen
☎ (041 01) 3990 – Fax (04101) 399191
Zentraler Kundenservice
☎ für die Industrie: 0180 535 67 97
☎ Institutionen und Gebäudereiniger: 0180 500 11 70

FRANCE

Nilfisk-Advance S.A.
BP 246
91944 Courtaboeuf Cedex
☎ (01) 69.59.87.00 Télécopie (01) 69.59.87.01

HONG KONG

Nilfisk-Advance Ltd.
2001, 20/F HK Worsted Mills
Industrial Building
31-39 Wo Tong Tsui Street
Kwai Chung, N.T.
☎ 2427 59 51 – Fax 2487 5828

IRELAND

Nilfisk-Advance Ltd.
28 Sandyford Office Park
Dublin 18
☎ +353 1 2943838 – Fax +353 1 2943845

JAPAN

Nilfisk-Advance Inc.
3-4-9 Chigasaki Minami
Tsuzuki-Ku Yokohama 224 0037
☎ 045-942-7741 – Fax 045-942-6545

MALAYSIA

Nilfisk-Advance Sdn Bhd
Lot 2, 1st. Floor
Lorong 19/1A
46300 Petaling Jaya
Selangor Darul Ehsan
☎ 03-7568188/03-7568189/03-7568388 – Fax 03-7566828

NEDERLAND

Nilfisk-Advance B.V.
Flevolaan 7, Postbus 341
1380 AH Weesp
☎ 0294-462121 – Fax 0294-430053

NEW ZEALAND

Nilfisk-Advance Limited
477 Great South Road, Penrose
Auckland
☎ (09) 525 0092 – Fax (09) 525 6440

SCHWEIZ / SUISSE

Nilfisk-Advance AG
Ringstrasse 19, 9533 Kirchberg/Wil
☎ 719 23 52 83 – Fax 719 23 84 44

SINGAPORE

Nilisk-Advance Pte. Ltd.
22, Woodlands Industrial Park E1
Singapore 757740
☎ (65) 759 9100 – Fax (65) 759 9133

TAIWAN

Nilfisk-Advance Ltd.
1 F, No.23, Lane 132, Sec. 2
Ta An Road, Taipei
☎ 700 22 68 – Fax 784 08 43

UNITED KINGDOM

Nilfisk-Advance Limited
Newmarket Road
Bury St. Edmunds
Suffolk IP 33 3SR
☎ (01284) 763163 – Fax (01284) 750562

USA

Nilfisk-Advance Inc.
14600 21st Avenue North
Plymouth, MN 55447-3408
☎ +1 800 989 2235 – Fax 1 800 989 6566

Nilfisk-Advance of America, Inc.
300 Technology Drive
Malvern, PA 19355
☎ (610) 647 647-6427

ÖSTERREICH

Nilfisk-Advance GmbH
Vorarberg Allee 46
1230 Wien
☎ 1 616 58 30 – Fax 1 616 58 30 40

ESPAÑA

Nilfisk-Advance, S.A.
Torre D'Ar
Passeig del Rengle, 5 Pl.9-10
E-08302 – Mataró (Barcelona)
☎ Tel. 93 741 24 00 – Fax: 93 757 80 20
Central atención al cliente: 902 200 201
nilfisk@nilfisk-advance.es – www.nilfisk-advance.com
Distribuidores y Servicio Técnico en toda España y Andorra

ITALIA

Nilfisk-Advance Italia Spa
Località Novella Terza
26862 Guardamiglio (LO)
Italy
☎ +39 0377 414067-54 – Fax +39 0377 414097
www.nilfisk-advance.com

PORTUGAL

Nilfisk-Advance Lda.
Rua Cândido de Figueiredo, 91-i, 1500-133 LISBOA
☎ 01/7784142 – Fax 01/7785613
Porto 02/526766 – Fax 02/520739
Açores 096/628092/3 – Fax 096/628129
Madeira 091/228965 – Fax 091/228796

GREECE

Embiom S.A.
Λεωφ. Βουλιαγμένης 60
Αργυρούπολη
164 52 Αθήνα
☎ 9950613 - Fax 9951680

