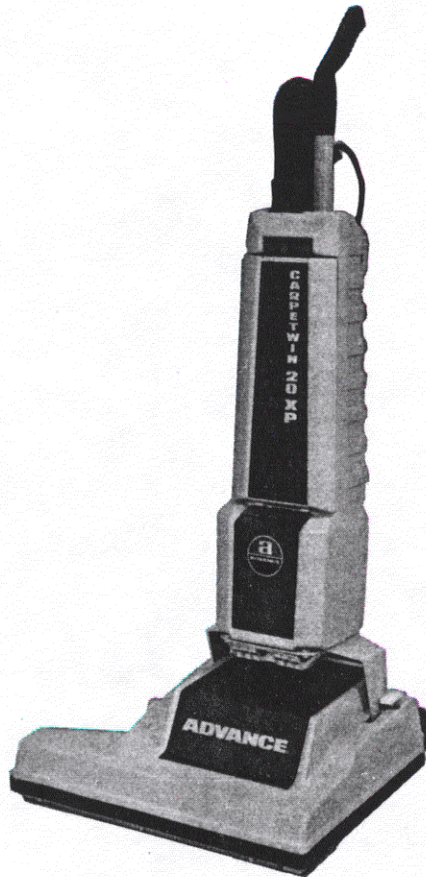


**Carpetwin 20XP**  
**Models 323302, 323315**  
THIS PARTS LIST IS FOR MACHINES  
AFTER SERIAL NUMBER 445585

# PARTS LIST



**ADVANCE**  
**MACHINE COMPANY**

INTERNATIONAL HEADQUARTERS, Plymouth, MN 55447-3408  
EUROPE, Llantrisant, Pontyclun, Mid-Glamorgan CF7 8YZ Wales, United Kingdom  
CANADA, 1295 Crestlawn Drive, Mississauga, Ontario L4W 1A9



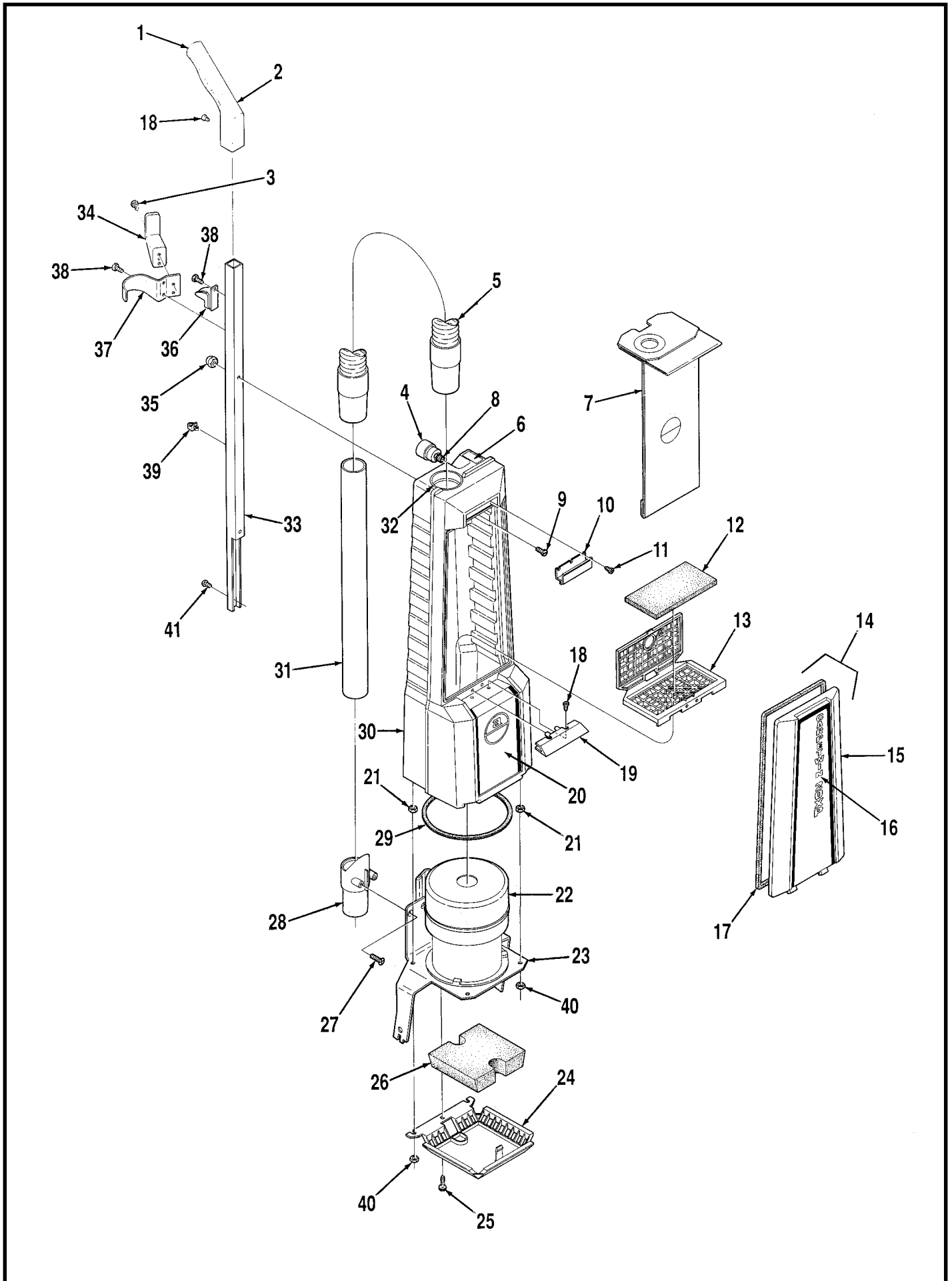
# TABLE OF CONTENTS

| <u>DESCRIPTION</u>          | <u>PAGE</u> |
|-----------------------------|-------------|
| Upper Housing .....         | 1-2         |
| Vacuum Motor Assembly ..... | 3-4         |
| Base Assembly .....         | 5-6         |
| Wiring Diagrams .....       | 7-8         |

## WHEN ORDERING PARTS

- \* Use the 6 digit numbers from the "Part No." columns in this parts list.
- \* Specify the model and serial number of the machine.
- \* Use the space below to record the model and serial number for future reference.

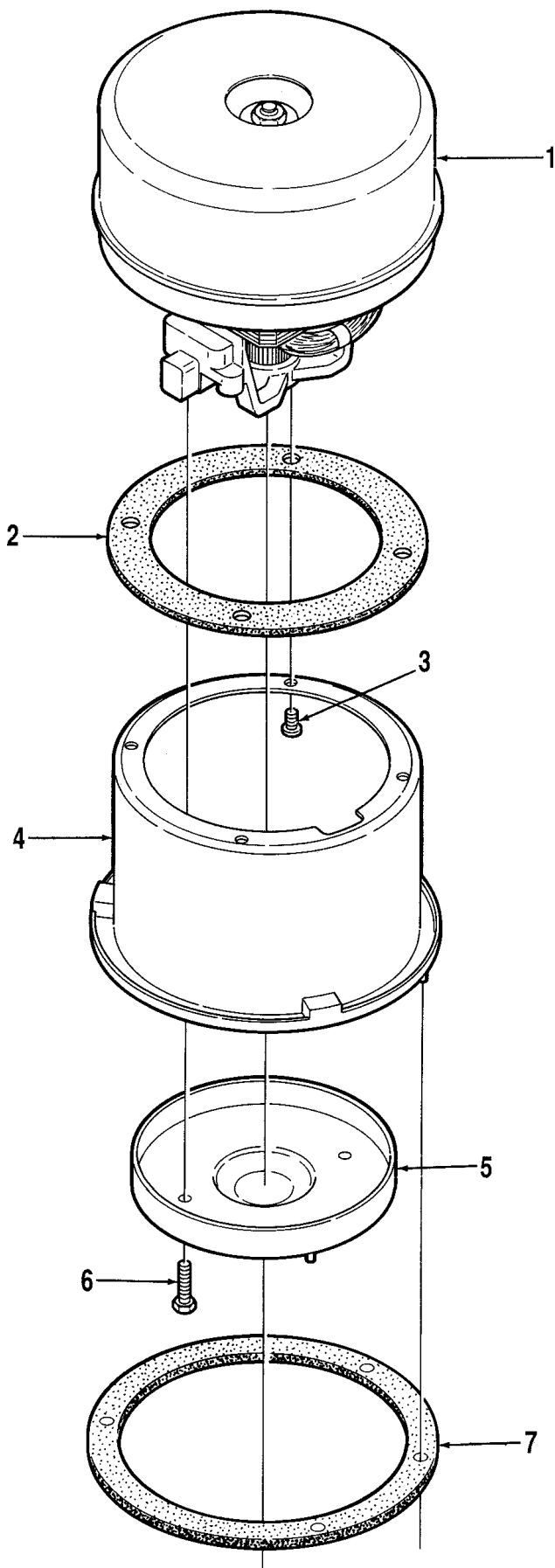
Model \_\_\_\_\_ Serial No. \_\_\_\_\_



## UPPER HOUSING

| Item | Part No. | Qty | Description  |
|------|----------|-----|--|
|      | 323223   | 1   | Upper Housing Assembly (#1-21, 30-41)                  |
| 1    | 706224   | 1   | Plug   |
| 2    | 706220   | 1   | Handle Grip  |
| 3    |          | 2   | #10-24 x 1/4 Screw                                     |
| 4    | 323170   | 1   | Indicator  |
| 5    | 323167   | 1   | Vacuum Hose  |
| 6    | 015069   | 1   | Decal, Full Bag  |
| 7    | 323153   | 1   | Paper Filter Bag (pkg of 6)                            |
| *    | 323195   | 1   | Cloth Bag  |
| *    | 320676   | 1   | Clip for Cloth Bag                                     |
| *    | 323251   | 1   | Bio-Bag™ (pkg of 6) (optional accessory, not included) |
| 8    | 750746   | 1   | Nipple   |
| 9    |          | 2   | 1/4-20 x 1-1/4 Screw                                   |
| 10   | 323143   | 1   | Latch <b>TSB 561, G-10</b>                             |
| 11   | 900484   | 3   | Screw  |
| 12   | 323158   | 1   | Internal Filter  |
| 13   | 323161   | 1   | Internal Filter Housing                                |
| 14   | 323204   | 1   | Cover Assembly (#15-17) <b>TSB 562, G-9</b>            |
| 15   | 323151   | 1   | Cover  |
| 16   | 014991   | 1   | Decal, Carpetwin 20XP                                  |
| 17   | 323165   | 1   | Gasket   |
| 18   |          | 3   | #10-24 x 1/2 Screw                                     |
| *    |          | 2   | #10-24 Whiz Nut  |
| 19   | 323146   | 1   | Stop   |
| 20   | 014945   | 1   | Decal, Housing   |
| 21   |          | 4   | 5/16-18 Nut  |
| *    |          | 4   | 5/16-18 x 1 Bolt                                       |
| *    |          | 4   | 5/16 Washer  |
| *    | 323013   | 4   | Washer   |
| 22   |          |     | SEE PAGE 3   |
| 23   | 323189   | 1   | 20" Yoke   |
| 24   | 323160   | 1   | Exhaust Filter Retainer                                |
| 25   |          | 3   | #10-24 x 3/4 Screw                                     |
| 26   | 323275   | 1   | Exhaust Filter   |
| 27   | 900287   | 2   | Screw  |
| 28   | 323148   | 1   | Wand Holder  |
| 29   | 323157   | 1   | Yoke Gasket  |
| 30   | 323139   | 1   | Housing <b>TSB 697, G-8</b>                            |
| 31   | 323141   | 1   | Wand   |
| 32   | 323142   | 1   | Bag Fill Tube  |
| 33   | 100029   | 1   | Handle Tube  |
| 34   | 323074   | 1   | Cord Hook  |
| 35   |          | 2   | 1/4-20 Acorn Nut                                       |
| 36   | 706287   | 1   | Clip   |
| 37   | 323171   | 1   | Hose Bracket   |
| 38   |          | 3   | #10-24 x 3/8 Screw                                     |
| 39   | 323179   | 2   | Clip   |
| 40   |          | 4   | 5/16-18 Jam Nut  |
| 41   |          | 1   | 1/4-20 x 5/16 Screw                                    |

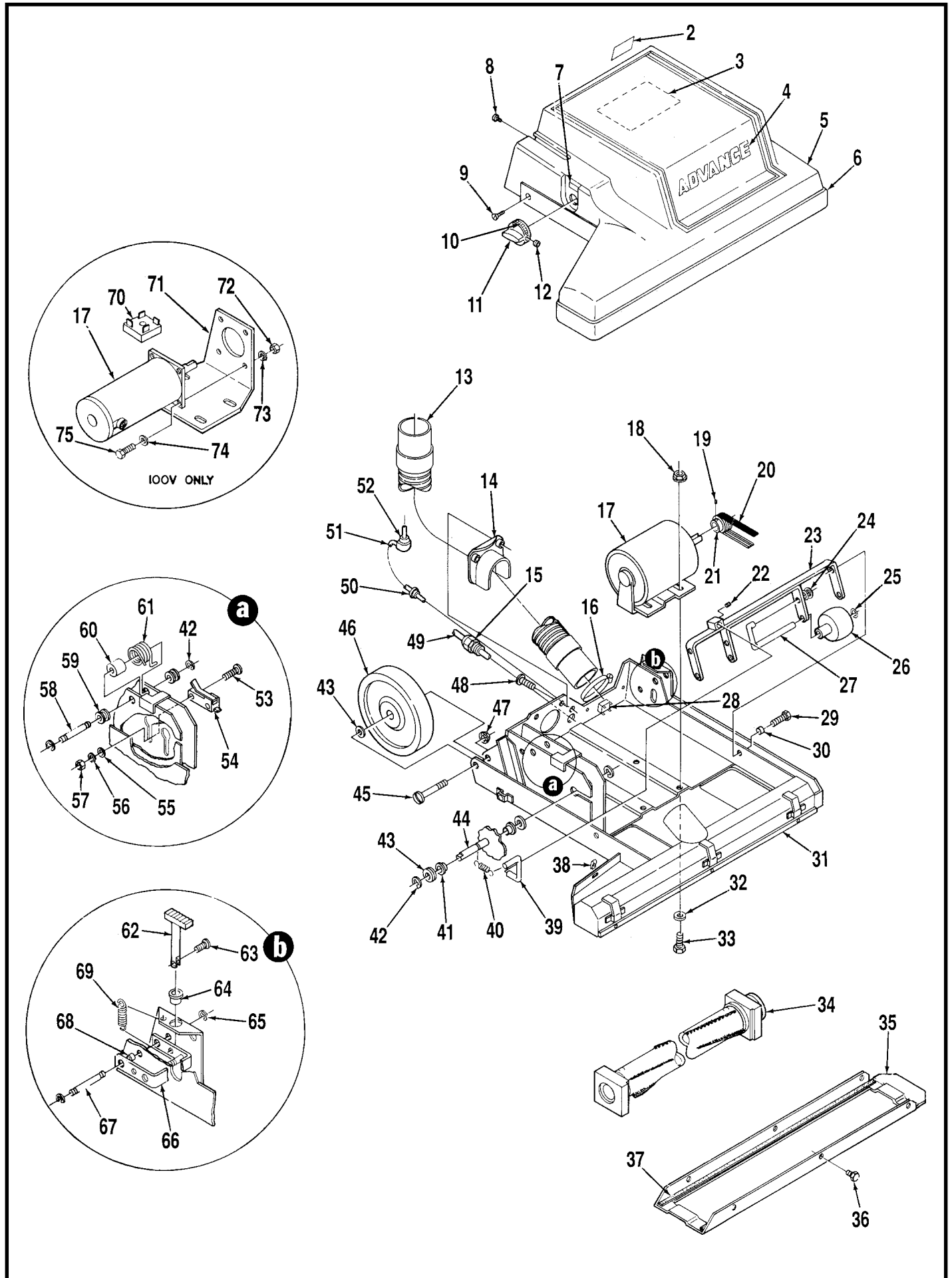
\* = Not Shown



## VACUUM MOTOR ASSEMBLY

| Item | Part No. | Qty | Description                 |
|------|----------|-----|-----------------------------|
| 1    | 323177   | 1   | Vacuum Motor 100V, 120V     |
| *    | 203518   | 1   | Carbon Brush Set for 323177 |
| 2    | 209325   | 1   | Motor Gasket                |
| 3    |          | 4   | #10-24 x 3/8 Screw          |
| 4    | 323173   | 1   | Vacuum Motor Cup            |
| 5    | 323044   | 1   | Inner Baffle                |
| 6    |          | 2   | #10-24 x 7/8 Screw          |
| 7    | 323164   | 1   | Cup Gasket                  |
| *    | 250150   | 1   | Ground Wire                 |

\* = Not Shown



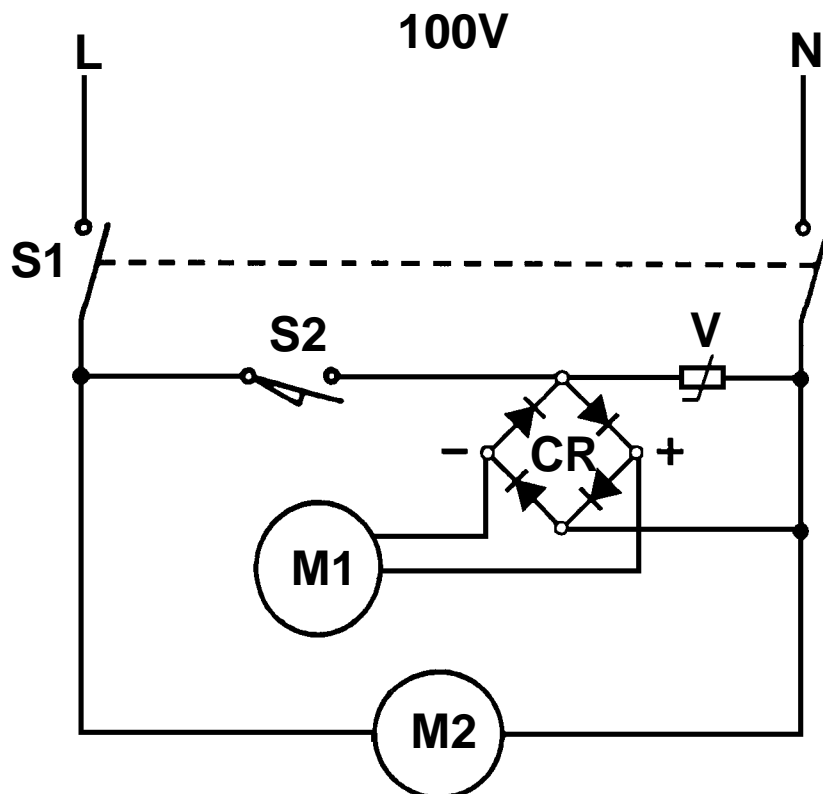
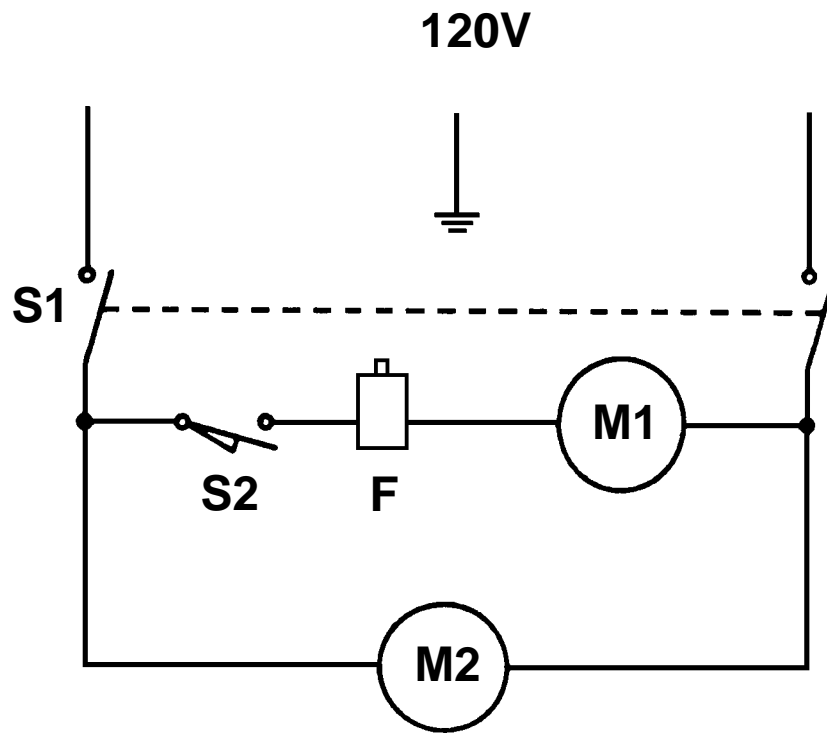
## BASE ASSEMBLY

| Item | Part No. | Qty | Description                 | Item | Part No. | Qty | Description         |
|------|----------|-----|-----------------------------|------|----------|-----|---------------------|
| 1    | 323224   | 1   | Shroud Assembly 120V (#2-7) | 41   | 329105   | 2   | Bearing             |
|      | 323229   | 1   | Shroud Assembly 100V (#2-7) | 42   | 321427   | 6   | Retaining Ring      |
| 2    | 014369   | 1   | Decal, Warning              | 43   |          | 5   | 3/8 Washer          |
| 3    | 015980   | 1   | Decal, Wiring 120V          | 44   | 328058   | 1   | Cam                 |
|      | 015099   | 1   | Decal, Wiring 100V          | 45   |          | 2   | 3/8-16 x 1-3/4 Bolt |
| 4    | 015073   | 1   | Decal, Advance              | 46   | 327530   | 2   | Wheel               |
| 5    | 323323   | 1   | Shroud                      | 47   |          | 2   | 3/8-16 Whiz Nut     |
| 6    | 326992   | 1   | Bumper                      | 48   | 900238   | 2   | Screw               |
| 7    | 023290   | 1   | Decal, Brush Adjustment     | 49   | 323212   | 1   | Power Cord 120V     |
| 8    |          | 3   | #8-32 x 3/8 Screw           |      | 323225   | 1   | Power Cord 100V     |
| 9    | 384929   | 4   | Screw                       | 50   | 163015   | 1   | Strain Relief       |
| 10   | 023288   | 1   | Decal, Knob Adjustment      | 51   | 100057   | 1   | Cord 100V, 120V     |
| 11   | 324502   | 1   | Knob                        | 52   | 185504   | 1   | Strain Relief       |
| 12   |          | 1   | #8-32 x 3/8 Set Screw       | 53   |          | 2   | #4-40 x 1 Screw     |
| 13   | 323203   | 1   | Hose                        | 54   | 327450   | 1   | Switch              |
| 14   | 323176   | 1   | Baffle                      | 55   |          | 2   | #4 Washer           |
| 15   | 323135   | 1   | Strain Relief               | 56   |          | 2   | #4 Lock Washer      |
| 16   | 440213   | 1   | Hose Clamp                  | 57   |          | 2   | #4-40 Nut           |
| 17   | 238160   | 1   | Brush Motor 120V            | 58   | 329054   | 2   | Pin                 |
|      | 228428   | 1   | Brush Motor 100V            | 59   | 329098   | 4   | Bushing             |
| *    | 228434   | 1   | Carbon Brush Set for 228428 | 60   | 323130   | 1   | Bushing             |
| 18   |          | 4   | 5/16-18 Whiz Nut            | 61   | 323129   | 1   | Torsion Spring      |
| 19   |          | 1   | 1/4-20 x 1/4 Set Screw      | 62   | 328562   | 1   | Pedal               |
| 20   | 327478   | 1   | Belt                        | 63   |          | 1   | #6-32 x 1/2 Screw   |
| 21   | 327131   | 1   | Sheave                      | 64   | 328723   | 1   | Bushing             |
| 22   |          | 1   | 5/16-18 x 1/4 Set Screw     | 65   | 321125   | 2   | Retaining Ring      |
| 23   | 327607   | 1   | Axle Bracket                | 66   | 328561   | 1   | Latch               |
| 24   | 325227   | 2   | Nut                         | 67   | 328707   | 1   | Pin                 |
| 25   | 150150   | 4   | Spring Washer               | 68   | 328758   | 1   | Bushing             |
| 26   | 323086   | 2   | Wheel                       | 69   | 328790   | 1   | Spring              |
| 27   | 327668   | 2   | Axle Roller                 | 70   | 180163   | 1   | Rectifier 40A       |
| 28   | 323741   | 1   | Power Switch                | 71   | 326522   | 1   | Motor Mount Bracket |
| 29   |          | 2   | 1/4-20 x 1 Screw            | 72   |          | 4   | 1/4-20 Nut          |
| 30   | 151106   | 2   | Bushing                     | 73   |          | 4   | 1/4 Lock Washer     |
| 31   | 323198   | 1   | Base                        | 74   |          | 4   | 1/4 Flat Washer     |
| 32   |          | 4   | 5/16 Washer                 | 75   |          | 4   | 1/4-20 x 1/2 Screw  |
| 33   |          | 4   | 5/16-18 x 1 Bolt            | *    | 329177   | 1   | Circuit Breaker, 6A |
| 34   | 327272   | 1   | Brush Assembly              |      |          |     |                     |
| **   | 327182   | 1   | Pulley                      |      |          |     |                     |
| **   | 322420   | 2   | Bearing Block               |      |          |     |                     |
| **   | 372773   | 2   | Bearing                     |      |          |     |                     |
| **   | 327255   | 1   | Brush                       |      |          |     |                     |
| **   | 327166   | 1   | Tube                        |      |          |     |                     |
| **   | 320153   | 1   | Loading Spring              |      |          |     |                     |
| 35   | 326934   | 1   | Shoe                        |      |          |     |                     |
| 36   |          | 6   | #10-24 x 3/8 Screw          |      |          |     |                     |
| 37   | 330745   | 4'  | Gasket (122 cm)             |      |          |     |                     |
| 38   | 328855   | 4   | Spring Nut                  |      |          |     |                     |
| 39   | 327657   | 1   | Axle Lever                  |      |          |     |                     |
| 40   | 330642   | 1   | Spring                      |      |          |     |                     |

\* = Not Shown

\*\* = Included in Brush Assembly 327272





## 120V WIRING DIAGRAM

| Item | Part No. | Qty | Description         |
|------|----------|-----|---------------------|
| S1   | 323741   | 1   | Main Switch         |
| S2   | 327450   | 1   | Brush Motor Switch  |
| F    | 329177   | 1   | Circuit Breaker, 6A |
| M1   | 238160   | 1   | Brush Motor 120V    |
| M2   | 323177   | 1   | Vacuum Motor        |

## 100V WIRING DIAGRAM

| Item | Part No. | Qty | Description        |
|------|----------|-----|--------------------|
| S1   | 323741   | 1   | Main Switch        |
| S2   | 327450   | 1   | Brush Motor Switch |
| M1   | 228428   | 1   | Brush Motor 100V   |
| M2   | 323177   | 1   | Vacuum Motor       |
| CR   | 180163   | 1   | Rectifier          |
| V    | 387554   | 1   | Varistor Assembly  |