

ADVANCE

PARTS LIST

Carpetwin™ 16XP
Model 323293

This parts list is for machines after serial number 1077338



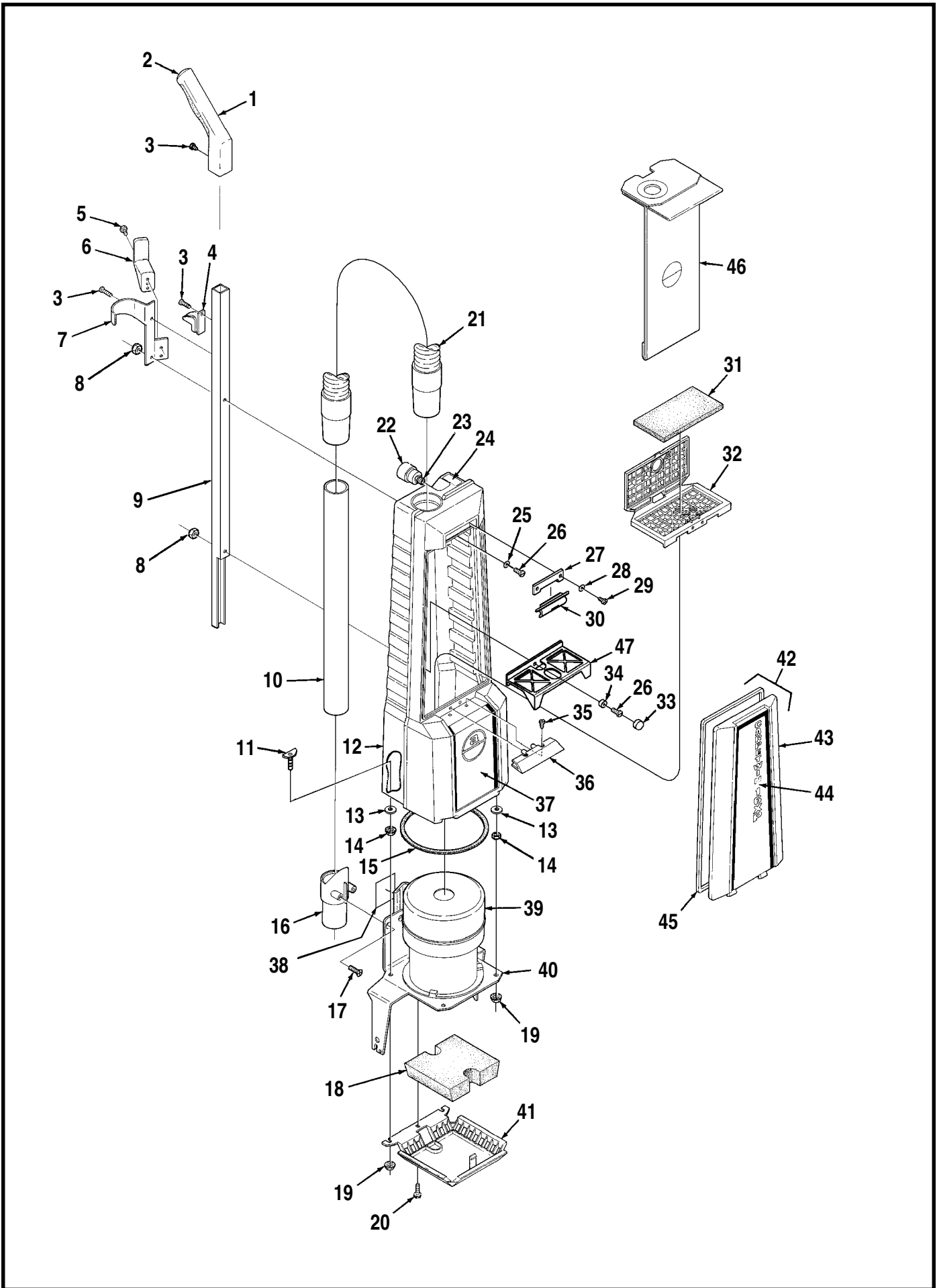
TABLE OF CONTENTS

Upper Handle	1-2
Vacuum Motor Assembly	3-4
Base Assembly	5-6
Wiring Diagram	7-8

WHEN ORDERING PARTS

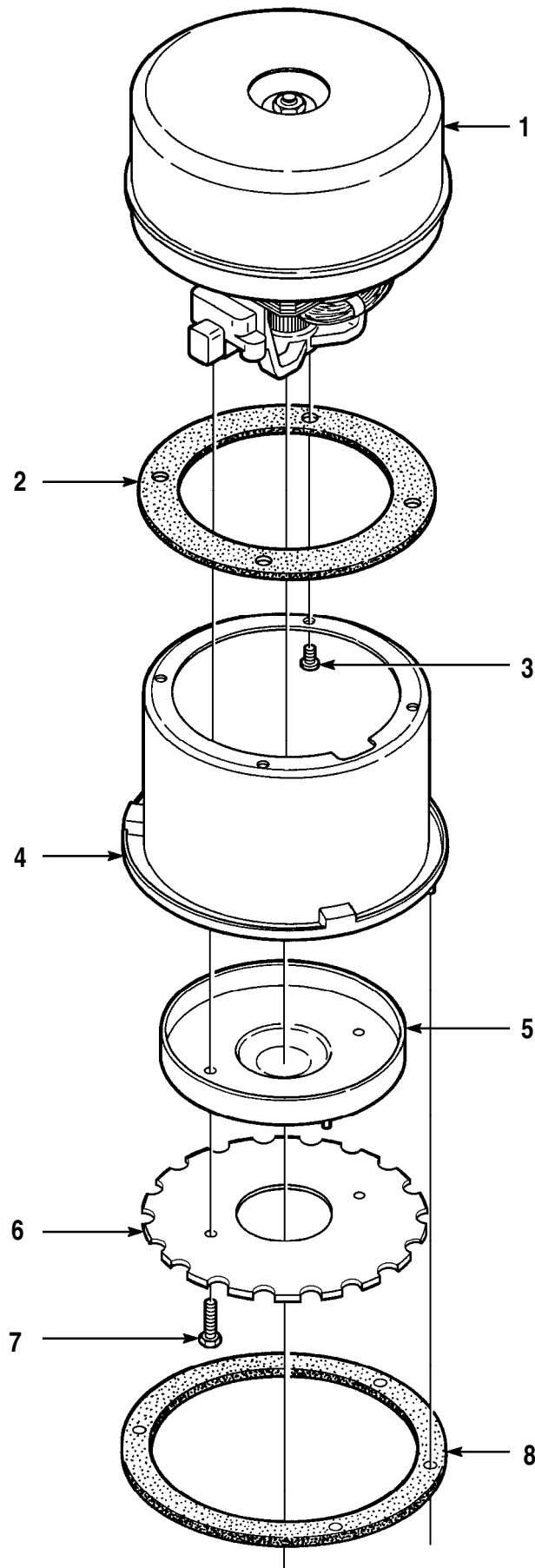
- Use the 6 digit numbers from the "Part No." columns in this parts list.
- Specify the model and serial number of the machine.
- Use the space below to record the model and serial number for future reference.

Model _____ Serial Number _____



UPPER HOUSING

Item	Part No.	Qty	Description	Item	Part No.	Qty	Description
	323174	1	Upper Housing Assembly	42	323152	1	Cover Assembly (#43-45)
1	706220	1	Handle Grip	43	323151	1	Cover
2	706224	1	Plug	44	014947	1	Decal, Carpetwin 16XP
3	002508	3	Scr, Pan Phil HP5 10-24 x .50	45	323165	1	Gasket
4	706287	1	Clip	46	323153	1	Paper Filter Bag (pkg of 6)
5	002532	2	Scr, HWH HP5 10-24 x .25	*	323195	1	Cloth Bag
6	323074	1	Cord Hook	*	320676	1	Clip for Cloth Bag
7	323171	1	Hose Bracket	*	323251	1	Bio-Bag™ (pkg of 6) (optional, not included)
8	002491	2	Nut, Hex Nyl Loc 1/4-20	47	323290	1	Stand-off, Bag
9	100029	1	Handle Tube				
10	323141	1	Wand				
11	323258	4	5/16-18 Stud				* = Not Shown
12	323145	1	Housing TSB 697, G-1				
13	323244	4	Wsh, Flt Urethane				
14	002826	4	Nut, Nyl Loc Thin 5/16-18				
15	323157	1	Yoke Gasket				
16	323148	1	Wand Holder				
17	009172	2	Scr, Flt Phil Type A-B 1/4-14 x .62				
18	323275	1	Exhaust Filter				
19	002826	4	Nut, Hex Nyl Loc Thin 5/16-18				
20	003028	3	Scr, Hex Loc 10-24 x 1.00				
21	323167	1	Vacuum Hose				
22	323170	1	Indicator				
23	750746	1	Nipple				
24	015069	1	Decal, Full Bag				
25	002098	4	Wsh, 1/4 SAE				
26	002430	2	Scr, Pan Phil 1/4-20 x 1.25				
27	323254	1	Latch Housing				
28	002006	2	Wsh, Flt #6				
29	003066	2	Scr, Pan Phil Type B #8 x .38				
30	323255	1	Latch				
31	323158	1	Internal Filter				
32	323161	1	Internal Filter Housing				
33	323262	1	Screw Cover				
34	323261	1	Screw Base				
35	001993	2	Scr, Pan Phil 10-24 x .50				
*	002768	2	Nut, Hex Nyl Loc 10-24				
36	323146	1	Stop				
37	014945	1	Decal, Housing				
38	014369	1	Decal, Warning				
39	323172	1	Vacuum Motor Assembly - SEE PAGE 3				
40	323140	1	16" Yoke				
41	323160	1	Exhaust Filter Retainer				

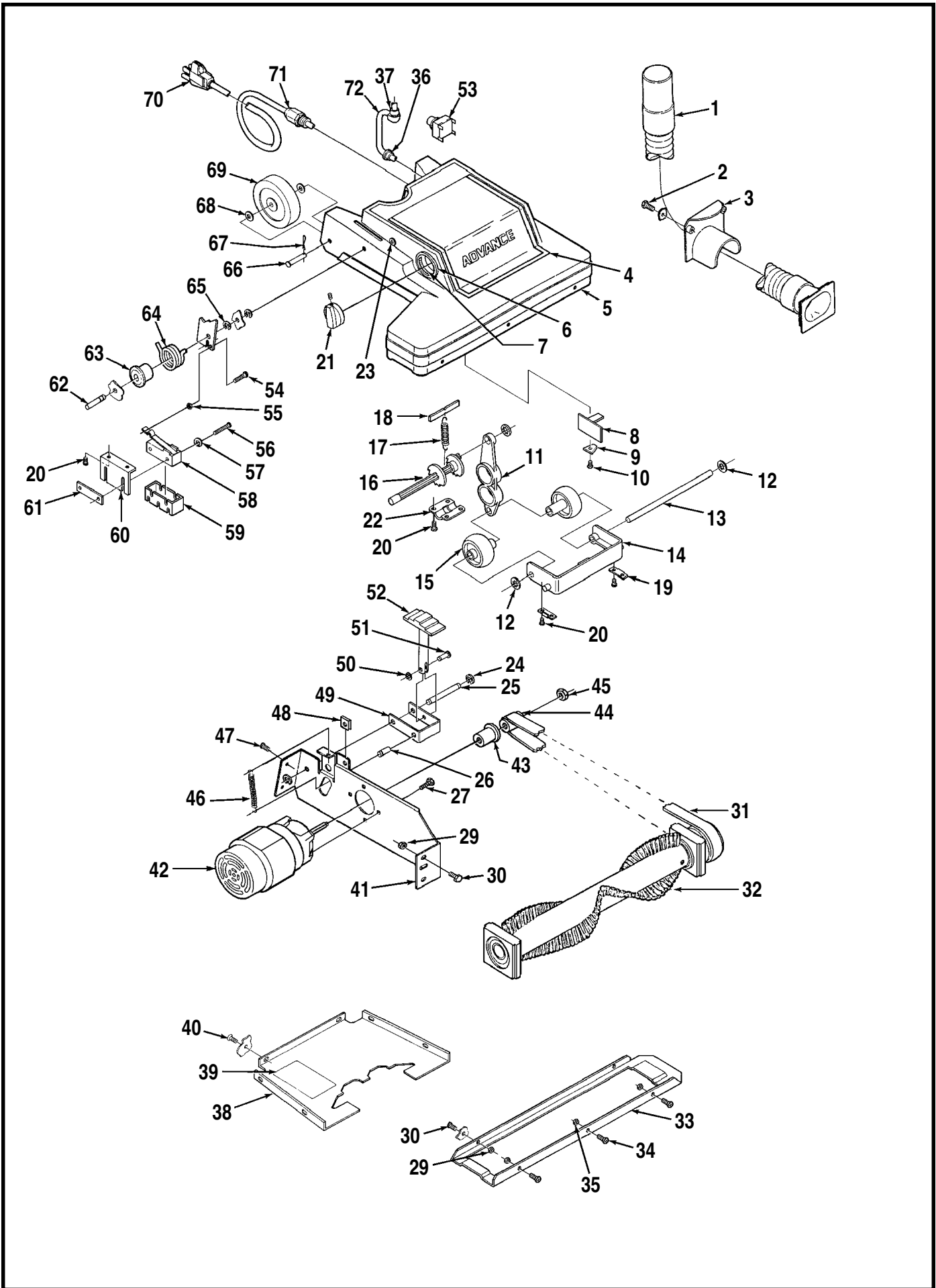


VACUUM MOTOR ASSEMBLY

Item	Part No.	Qty	Description
1	323177	1	Vacuum Motor 120V
2	209325	1	Motor Gasket
3	009030	4	Screw, Pan Phil HP5 10-24 x .38
4	323173	1	Vacuum Motor Cup
5	323044	1	Inner Baffle
6	323009	1	Outer Baffle NOTE
7	009038	2	Screw, Hex HP5 10-24 x .88
*	001954	2	Washer Flat #10
8	323064	1	Cup Gasket

* = Not Shown

NOTE: Install the lip on outer baffle (#6) turned away from the motor.

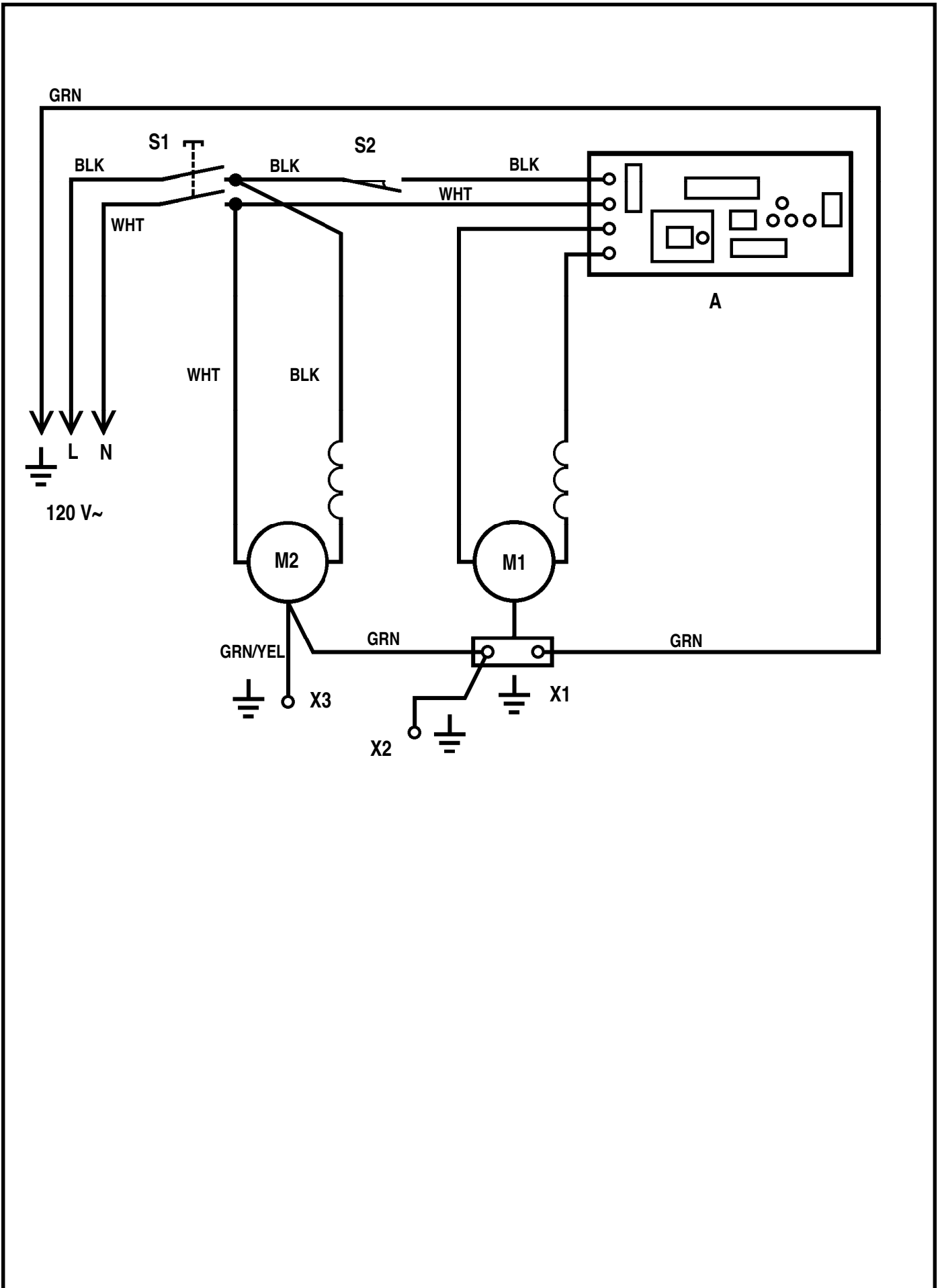


BASE ASSEMBLY

Item	Part No.	Qty	Description	Item	Part No.	Qty	Description
1	323168	1	Hose	42	323347	1	Brush Motor Assembly 120V
2	009120	2	Scr, Pan Phil SS B 1/4-14 x .62	*	323629	2	Carbon Brush
3	323176	1	Baffle	43	323280	1	Motor Spacer
	323266	1	Repl Shroud Assy (#4-7)	44	323279	1	Motor Pulley
4	015071	1	Decal, Advance	45	002719	1	Nut, Hex M6-1.00
5	323169	1	Base Housing 120V	46	321087	1	Spring
6	325410	1	Knob Insert	47	009030	2	Scr, Pan Phil Thd Form 10-24 x .38
7	021106	1	Decal, Knob	48	321320	1	Clamp Nut
8	323348	1	Circuit Board TSB 656, G-3	49	328598	1	Latch
9	323595	1	Retainer Clip	50	003267	1	Retaining Ring
10	003196	1	Scr, Pan Phil Plas 6-18 x .62	51	321068	1	Pin
	323102	1	Ratchet Assembly (#11-18)	52	323036	1	Pedal
11	323038	1	Link	53	323741	1	Main Switch
12	325227	3	Nut	54	002146	1	Scr, Pan Phil 8-32 x .62
13	325229	1	Pivot Pin	55	002865	1	Nut, Hex Nyl Loc Thin 8-32
14	323028	1	Yoke	56	003009	2	Scr, Hex 6-32 x 1.00
15	323025	2	Wheel	57	002006	2	Wsh, Flt SAE #6
16	323027	1	Ratchet	58	323271	1	Brush Motor Switch
17	320484	1	Spring	59	323272	1	Terminal Cover
18	323035	1	Ratchet Catch	60	321615	1	Bracket
19	325213	2	Clamp	61	376015	1	Nut Plate
20	009129	10	Scr, Pan Phil Type B 6 x .38	62	323089	2	Pivot Pin
21	324502	1	Knob	63	323124	1	Bushing
22	325225	1	Ratchet Retainer	64	323123	1	Torsion Spring
23	323055	2	Stop Bushing	65	003262	4	Retaining Ring
*	002032	2	Scr, Soc 1/4-20 x .62	66	321404	2	Axle Pin
*	002708	1	Nut, Hex Nyl Loc 1/4-20	67	003222	2	Cotter Pin
24	003268	2	Retaining Ring	68	009024	4	Wsh, Bowed
25	323353	1	Pin	69	327530	2	Wheel
26	328642	1	Groove Pin	70	323209	1	Cord Set 120V
27	009193	4	Scr, Hex Loc M6-1 x 10mm	71	171094	1	Lock Nut * for strain relief
28			Omitted Intentionally	72	323210	1	Cord 120V
29	002768	5	Nut, Hex Nyl Loc 10-24	*	002124	1	Scr, Pan Phil 10-24 x .62
30	002503	4	Scr, Hex 10-24 x .50				
31	323284	1	Belt				
32	323285	1	Brush Assembly				
**	003256	1	Retaining Ring				
**	320140	2	Bearing Block				
**	323278	1	Brush Pulley				
**	372773	1	Bearing				
33	325530	1	Shoe				
34	002396	3	Scr, Flt Phil 8-32 x .50				
35	002808	4	Nut, Hex Nyl Loc 8-32				
36	163015	1	Strain Relief				
37	754199	1	Strain Relief				
38	323292	1	Base Cover				
39	015763	1	Decal, Wiring 120V				
40	009133	5	Scr, Flt Phil HP5 Loc 10-24 x .50				
41	323288	1	Motor Bracket				

* = Not Shown

** = Included in Brush Assembly 323285



120V WIRING DIAGRAM

Item	Part No.	Qty	Description
A	323348	1	Circuit Board TSB 656, G-3
S1	323741	1	Main Switch
S2	323271	1	Brush Motor Switch
M1	323347	1	Brush Motor
M2	323177	1	Vacuum Motor
X1			Motor Mount Ground
X2			Yoke Ground
X3			Cover Ground