

# CARPETRIEVER 28DB

## MODEL 330401

THIS PARTS LIST IS FOR MACHINES  
AFTER SERIAL NUMBER 325179.

# PARTS LIST



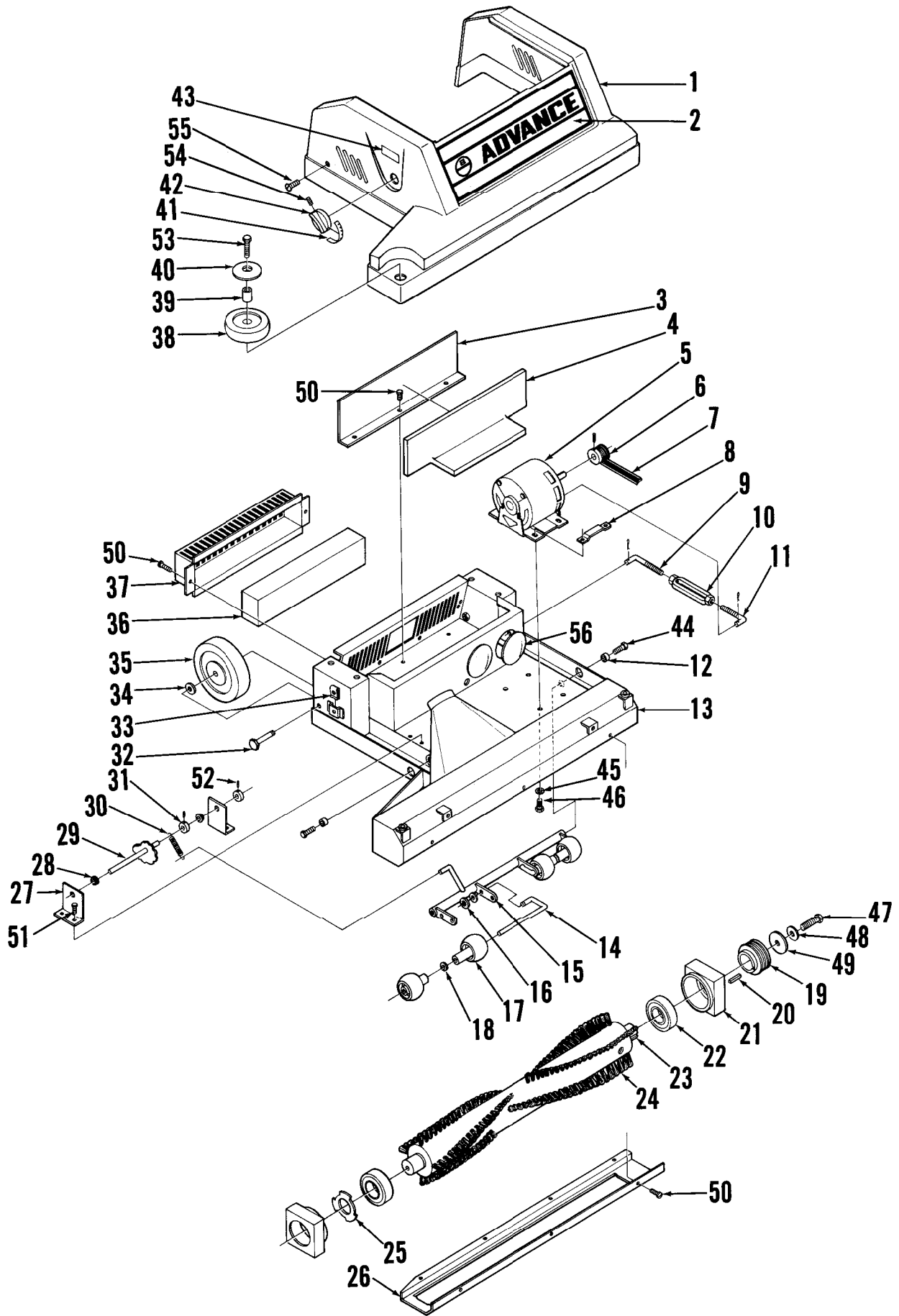
**ADVANCE**  
MACHINE COMPANY

INTERNATIONAL HEADQUARTERS, Plymouth, MN 55447-3408  
EUROPE, Llantrisant, Pontyclun, Mid-Glamorgan CF7 8YZ Wales, United Kingdom  
CANADA, 1295 Crestlawn Drive, Mississauga, Ontario L4W 1A9



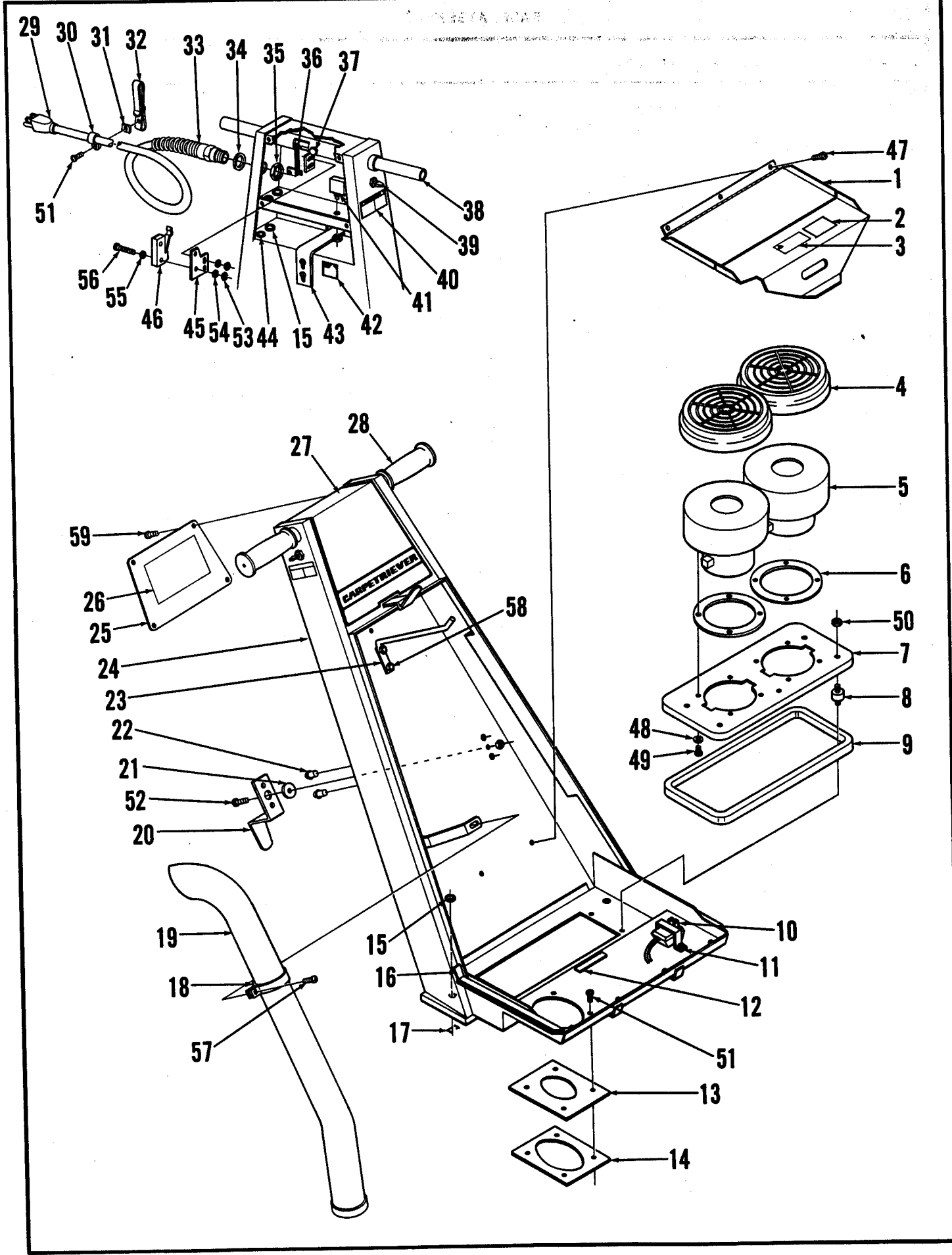
## INDEX FOR FORM NUMBER 042199

<u>Description</u>	<u>Location</u>	<u>Page</u>
Base	C12	1
Cover, Bag Housing	D3	5
Handle	D1	3
Motor, Vacuum	D5	7
Wiring Diagram	D6	8



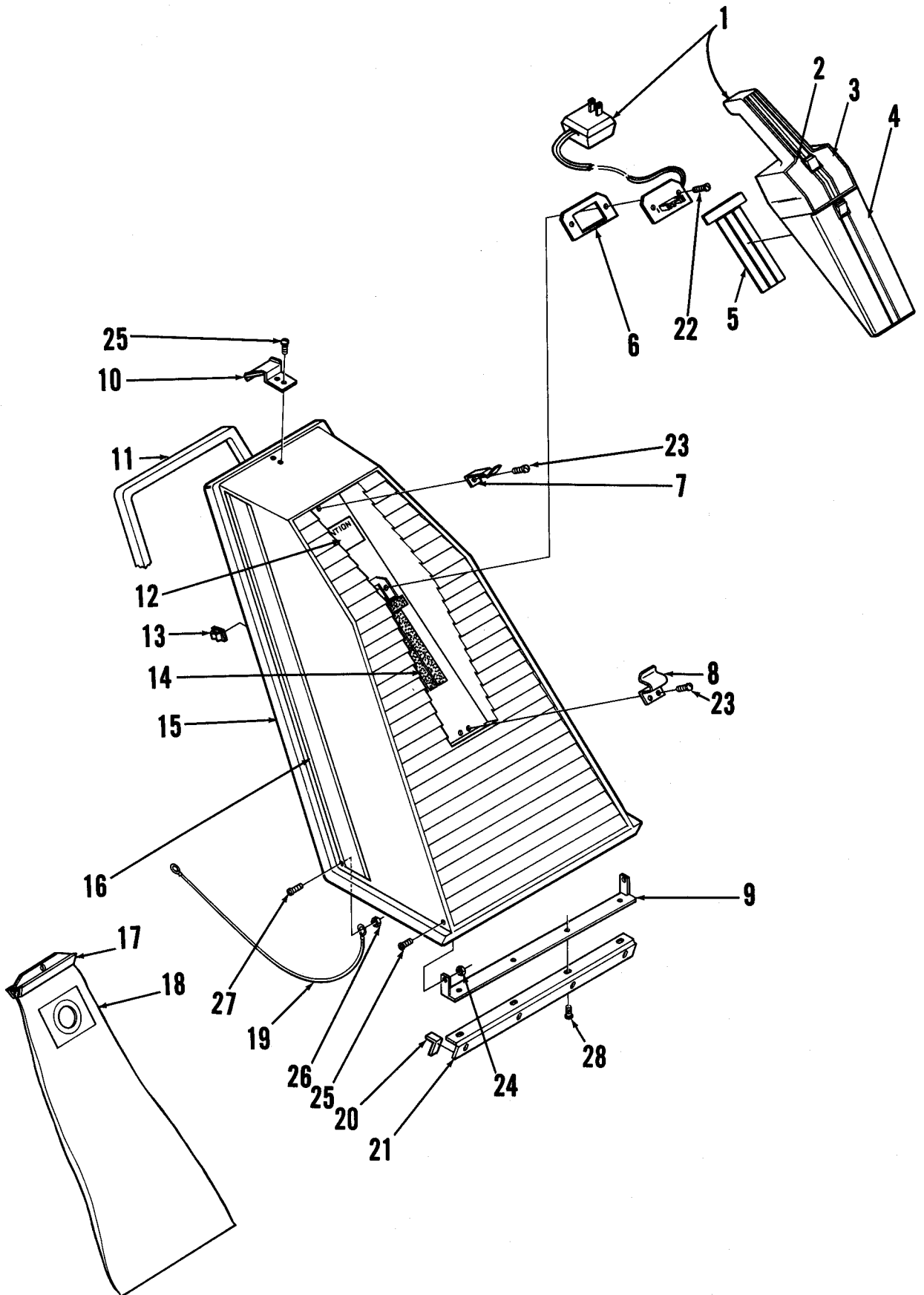
## BASE ASSEMBLY

Item	Part No.	Qty	Description	Item	Part No.	Qty	Description
1	330334	1	Base Shroud	29	330717	1	Cam
2	014285	1	Decal, Advance	30	330642	1	Spring
3	330314	1	Plate	31	331076	2	Collar
4	330577	1	Foam	32	520845	2	Axle
5	238147	1	Motor	33	328855	2	Nut
6	330681	1	Sheave	34	155373	2	Washer
7	331100	1	Belt	35	330607	2	Wheel
8	218065	2	Nut Plate	36	330573	1	Filter
9	330686	1	Rod	37	330303	1	Grill
10	206814	1	Turnbuckle	38	330683	1	Wheel
11	350109	1	Rod	39	330741	1	Bushing
12	321532	2	Bushing	40	330335	1	Cap
13	330336	1	Base	41	023288	1	Decal, Knob
14	325224	2	Pin	42	324502	1	Knob
15	330613	1	Bracket	43	023290	1	Decal, Brush Adjust
16	325227	2	Nut	44		2	1/4-20 X 3/4 Screw
17	323086	4	Roller	45		4	5/16 Lock Washer
18	150150	2	Washer	46		4	5/16-18 X 1/2 Screw
19	330675	1	Sheave	47		1	5/16-18 X 5/8 Screw
20	109258	1	Key	48		1	5/16 Lock Washer
21	322420	2	Bearing Block	49		1	5/16 Flat Washer
22	372773	2	Bearing	50		12	10-24 X 3/8 Screw
23	330671	1	Shaft	51		4	3/8-16 X 5/8 Screw
24	330669	1	Brush	52		2	10-24 X 3/16 Screw
	330666	1	Brush Assembly (#1-19)	53		1	1/4-20 X 1 1/4 Screw
25	320153	1	Load Spring	54		1	8-32 X 5/16 Screw
26	330677	1	Shoe	55		4	10-24 X 3/8 Screw
27	331078	2	Bracket	56	330056	2	Button Plug
28	329098	2	Bushing				



## HANDLE ASSEMBLY

#	PN	QTY	DESCRIPTION	#	PN	QTY	DESCRIPTION
	330445	1	HANDLE ASSEMBLY	56		2	6-32 X 7/8 SCREW
1	330351	1	TRAY	57		1	10-24 X 1/2 SCREW
2	023252	1	DECAL, FILTER	58		4	10-24 X 3/8 SCREW
3	014029	1	DECAL, CAUTION	59		4	10-24 X 3/8 SCREW
4	384898	2	FILTER				
5	325096	2	VACUUM MOTOR, 115V				
	203518	2	CARBON BRUSH SET				
6	209325	2	GASKET				
7	330348	1	MOUNTING PLATE				
8	478684	4	MOUNT				
9	330749	1	GASKET				
10	330441	1	CHARGER AND HAND VAC				
11	330435	1	CLAMP				
12	200754	1	GASKET 3"				
13	330631	1	GASKET				
14	330634	1	NUT PLATE				
15	327409	6	BUSHING				
16	331126	2	GASKET 12"				
17	162981	4	STRAIN RELIEF				
18	330345	1	CLAMP				
19	330346	1	INLET TUBE				
20	330368	1	CORD HOOK				
21	387678	1	BUSHING				
22	361321	2	BULLET CATCH				
23	330579	1	BAG HOOK				
24	330436	1	HANDLE				
25	330344	1	COVER				
26	014534	1	DECAL, WIRING				
27	014286	1	DECAL, HANDLE				
28	388545	2	GRIP				
29	330871	1	POWER CORD				
30	342319	1	CLAMP				
31	322504	1	NUT				
32	300187	1	BELT CLIP				
33	162736	1	STRAIN RELIEF				
34	200433	1	WASHER				
35	200441	1	NUT				
36	328790	1	SPRING				
37	234079	1	SCREW				
38	330898	1	TUBE				
39	200340	1	SWITCH				
40	015314	1	DECAL, WARNING				
41	329177	1	CIRCUIT BREAKER				
42	014362	1	DECAL, RESET				
43	330343	1	LATCH				
44	320319	2	BUSHING				
45	330900	1	SWITCH PLATE				
46	388019	1	SWITCH				
47		3	10-24 X 3/8 SCREW & NUT				
48		8	10-24 LOCKWASHER				
49		8	10-24 X 1/2 SCREW				
50		8	1/4-20 NUT				
51		7	8-32 X 3/8 SCREW				
52		1	10-24 X 3/4 SCREW				
53		2	6-32 NUT				
54		2	6-32 SHAKEPROOF WASHER				
55		2	6-32 FLAT WASHER				



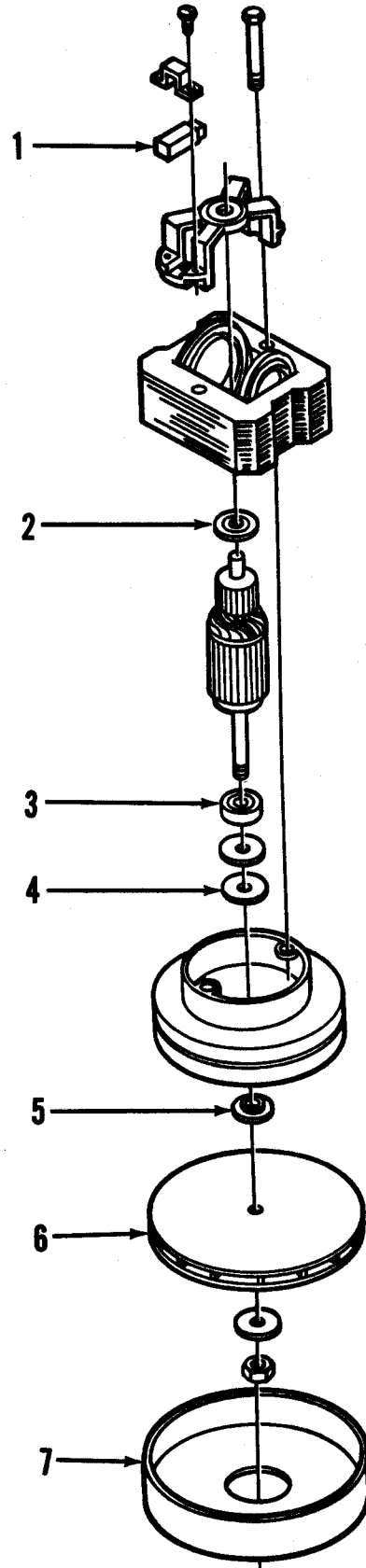
## SHROUD ASSEMBLY

#	PN	QTY	DESCRIPTION
	330442	1	HAND VAC ASSY (#1-5)
1	330441	1	HAND VAC AND CHARGER
2	014569	1	DECAL, RIGHT
3	014570	1	DECAL, LEFT
4	014571	1	DECAL, FRONT
5	171319	1	VELCRO
6	330448	1	GASKET
7	330431	1	CLIP
8	330432	1	CLIP
9	330340	1	NUT PLATE
10	330339	1	LATCH PLATE
11	449227	1	GASKET
12	014572	1	DECAL, ATTENTION
13	900143	4	CORD CLIP
14	170961	1	VELCRO
15	330428	1	SHROUD
	330427	1	SHROUD ASSY (#7-15)
16	014291	1	DECAL, RIGHT STRIPE
	014290	1	DECAL, LEFT STRIPE
17	330608	1	BAG CLAMP
18	330589	1	CLOTH BAG
	330690	1	PAPER BAG, PKG OF 6
19	325240	1	WIRE ROPE
20	330745	2	GASKET 3"
21	330347	1	HINGE
22	230235	2	RIVET
23	312045	3	RIVET
24		4	6-32 NUT
25		4	6-32 X 5/16 SCREW
26		1	6-32 NUT/WASHER
27		1	6-32 X 3/8 SCREW
28		4	10-24 X 3/8 SCREW



VACUUM MOTOR, 115V

#	PN	QTY	DESCRIPTION
	325096	2	VACUUM MOTOR 115V
1	203518	1	CARBON BRUSH SET
2	228388	1	WASHER
3	228051	1	BEARING
4	202630	1	WASHER
5	203424	1	SPACER
6	208191	1	FAN
7	325088	1	SHELL



WIRING DIAGRAM, 115V

#	PN	QTY	DESCRIPTION
	014534	1	DECAL, WIRING
1	331112	1	CORD ASSY
2	470785	1	WIRE ASSY
3	200340	1	SWITCH
4	330871	1	POWER CORD
5	330444	1	CORD ASSY
6	330441	1	CHARGER AND HAND VAC
7	331106	1	CORD ASSY
8	238147	1	MOTOR, 115V
9	329177	1	CIRCUIT BREAKER
10	330876	1	WIRE ASSY
11	388019	1	SWITCH
12	325096	2	VACUUM MOTOR

