

Aquamatic™ 20B



PARTS LIST

Advance MODEL 56263000(OBSOLETE)

This parts list is for machines after serial number 355696



**Nilfisk
Advance**

setting standards

1/90 revised 3/01 FORM NO. 56042215

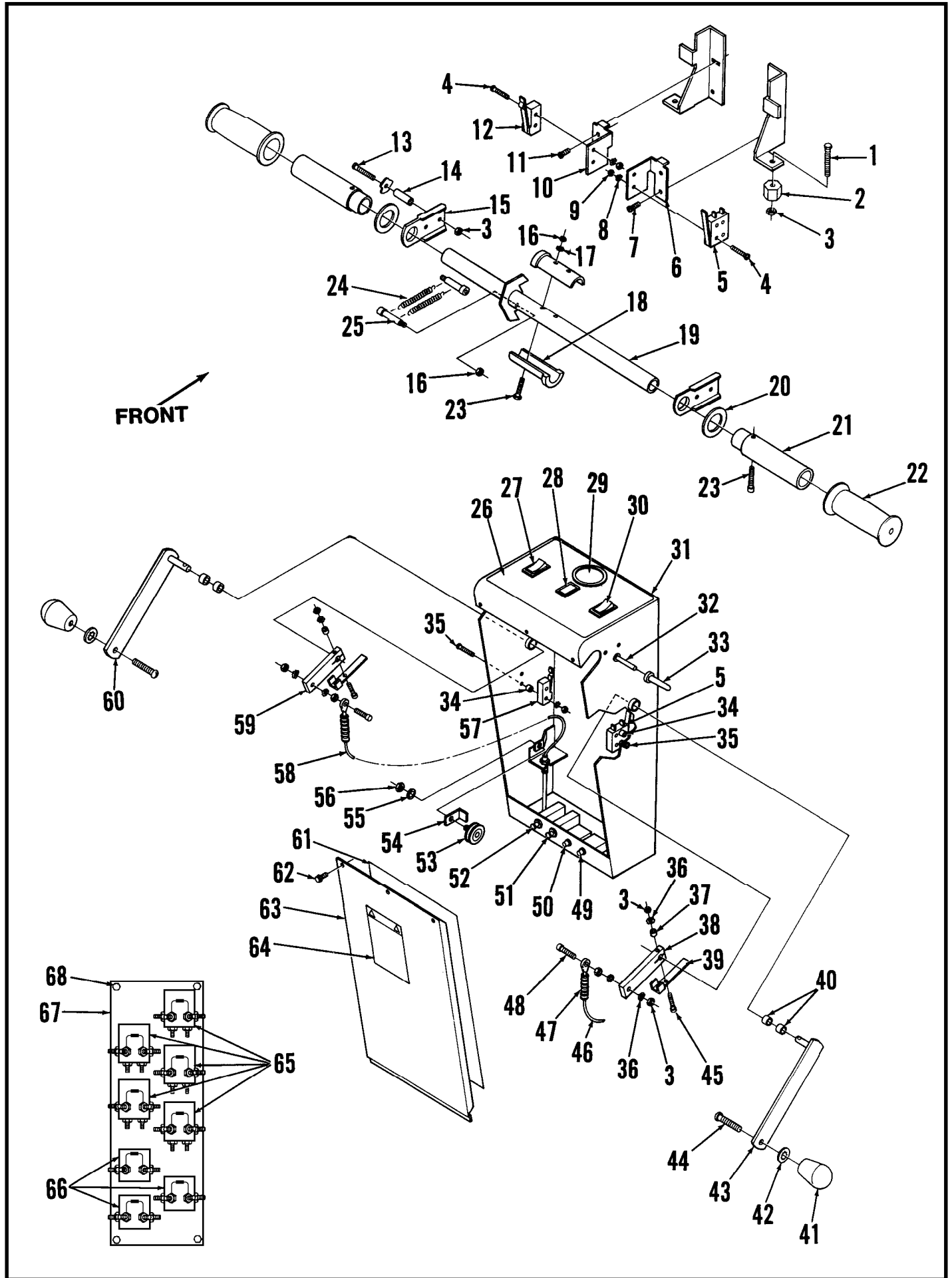
TABLE OF CONTENTS

<u>DESCRIPTION</u>	<u>PAGE</u>
CONTROL HANDLE	1-2
WHEEL DRIVE AND CHASSIS	3-4
TANK, SOLUTION & PUMP (after SN377451)	5-6
TANK, SOLUTION & PUMP (before SN377452)	7-8
TANK, RECOVERY & VAC TOOL	9-10
BRUSH DRIVE	11-12
WIRING DIAGRAM	13

WHEN ORDERING PARTS

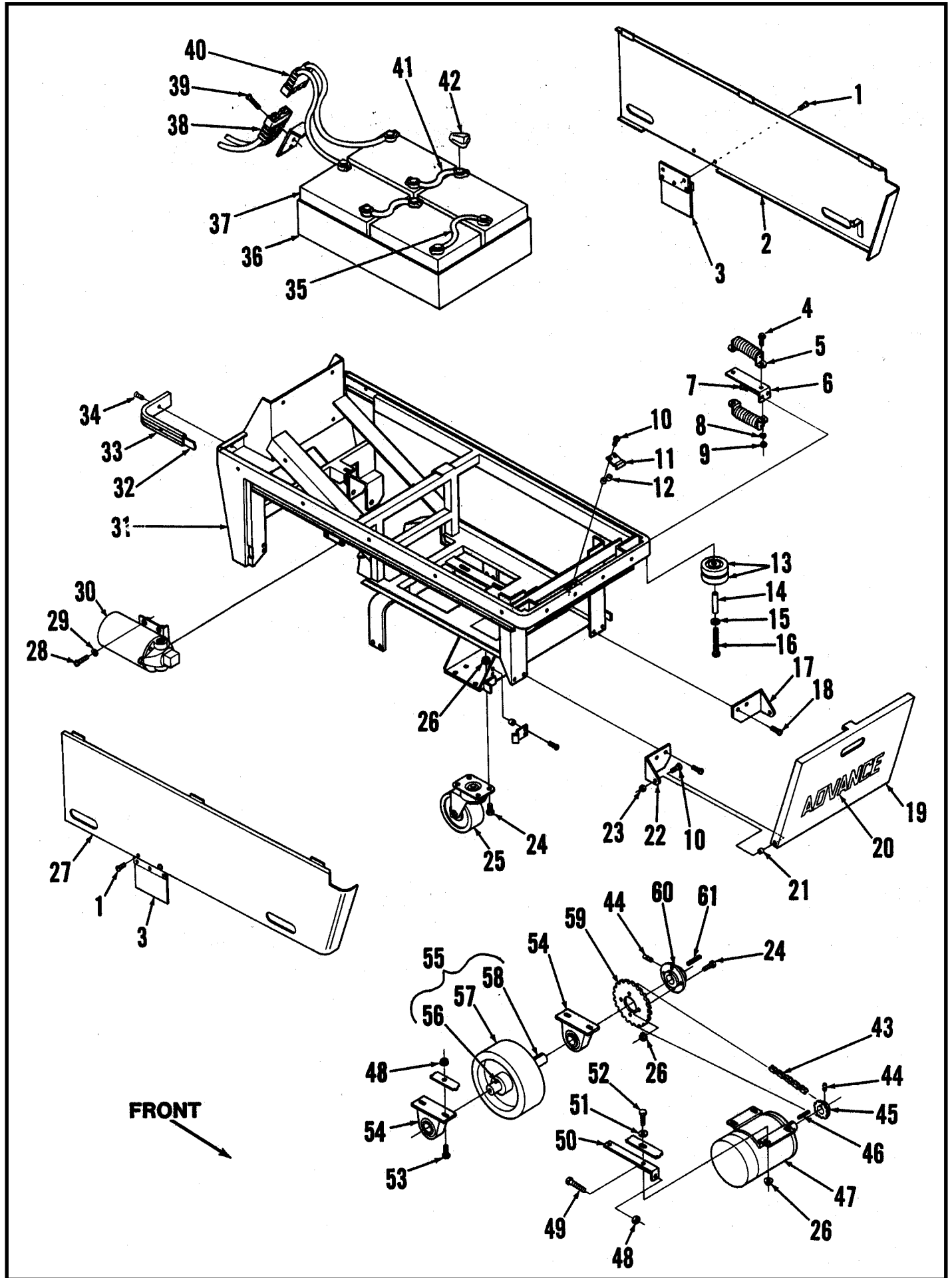
- * Use the 8 digit numbers from the "Part No." columns in this parts list.
- * Specify the model and serial number of the machine.
- * Use the space below to record the model and serial number for future reference.

Model _____ Serial No. _____



HANDLE ASSEMBLY

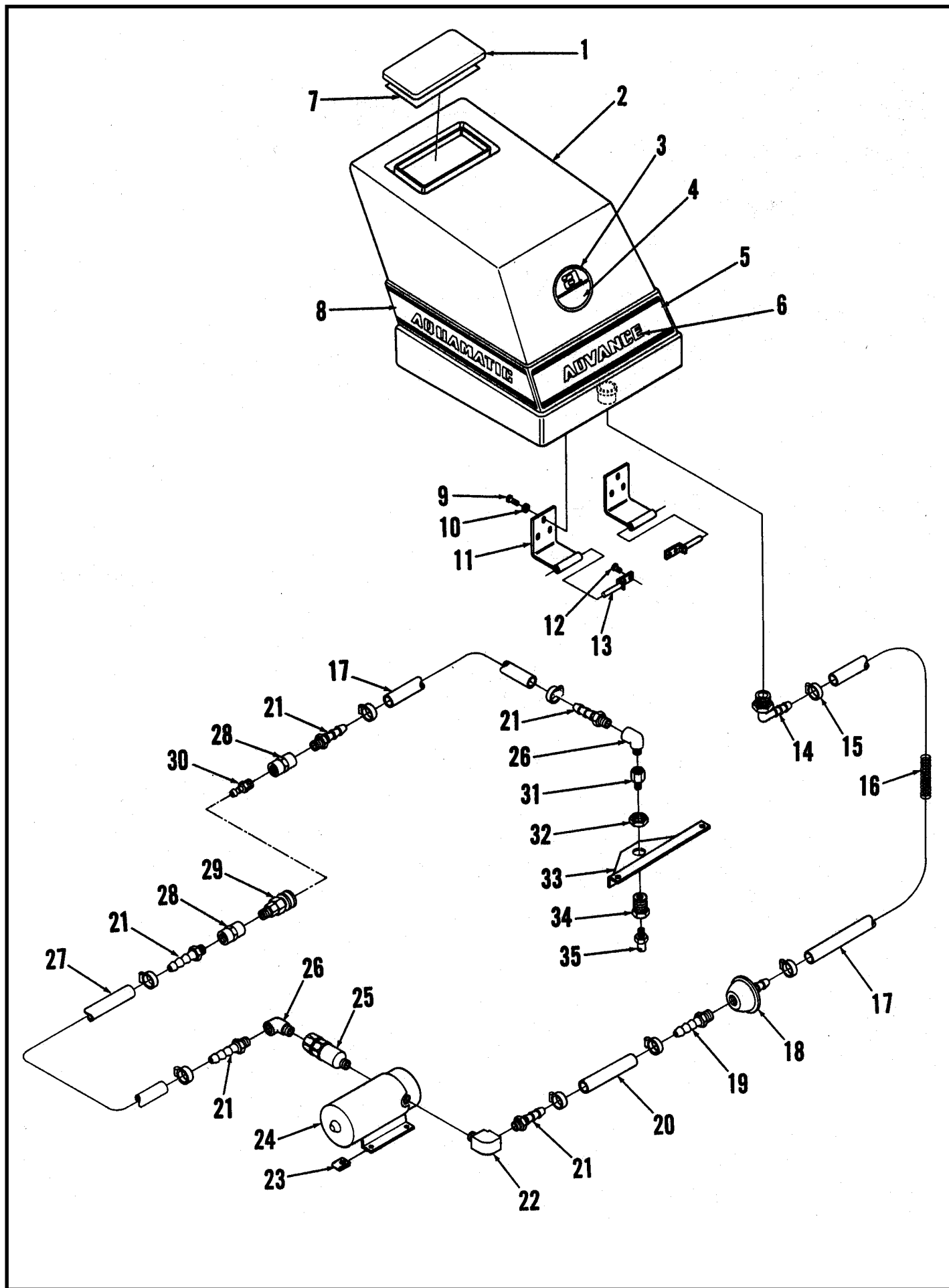
Item	Part No.	Qty	Description	Item	Part No.	Qty	Description
	56263125	1	Control Panel Assembly	36		6	1/4 Shakeproof Washer
1		2	1/4-20 x 1.25 Screw	37	56163872	2	Bushing
2	56469858	2	Stand-Off	38	56263139	1	Right Bar
3		6	1/4-20 Nut	39	56263141	2	Actuator
4		4	#6-32 x 1 Screw	40	56366633	4	Bearing
5	56261220	2	Switch	41	56364527	2	Knob
6	56263146	1	Right Bracket	42		2	5/16 Shakeproof Washer
7		2	#6-32 x .38 Screw	43	56263143	1	Right Lever
8		8	#6 Shakeproof Washer	44		2	5/16-18 x .75 Bolt
9		8	#6-32 Nut	45		2	1/4-20 x 1.25 Screw
10	56263145	1	Left Bracket	46	56263250	1	Brush Lift Cable
11		2	#8-32 x .38 Screw	47	56900680	2	Conduit 10"
12	56385615	1	Switch	48		2	1/4-20 x 1 Screw
13		4	1/4-20 x 1.5 Screw	49	56454538	1	Circuit Breaker 15A
14	56261066	4	Bushing	50	56171535	1	Circuit Breaker 17A
15	56261097	2	Bearing	51	56454423	1	Circuit Breaker 30A
16		4	#10-24 Nut	52	56263260	1	Circuit Breaker 60A
17		2	#10 Shakeproof Washer	53	56159749	2	Pulley
18	56263144	2	Cam	54	56390778	2	Guide
19	56263147	1	Tube	55		2	7/16 Shakeproof Washer
20	56475280	2	Washer	56		2	7/16-14 Nut
21	56261064	2	Tube	57	56388019	1	Switch
22	56388545	2	Handle Grip	58	56263251	1	Vacuum Tool Lift Cable
23		4	#10-24 x 1 Screw	59	56263140	1	Left Bar
24	56900481	2	Bolt	60	56263142	1	Left Lever
25	56358560	2	Spring	61	56014741	1	Decal, Wiring
26	56014764	1	Decal, Control Panel	62		3	#10-24 x .38 Screw
27	56376348	1	Switch	63	56263151	1	Back Panel
28	56467410	1	Indicator Light	64	56014601	1	Decal, Caution
29	56389508	1	Battery Meter	65	56263261	5	Solenoid
30	56261245	1	Switch		56389265	5	Diode
31	56263126	1	Control Handle	66	56468358	3	Solenoid
32	56217859	1	Switch		56389265	3	Diode
33	56219886	1	Boot	67	56263150	1	Electrical Panel
34	56369004	4	Bushing	68		4	1/4-20 x .62 Screw
35		4	#6-32 x 1.12 Screw				



CHASSIS AND DRIVE WHEEL

Item	Part No.	Qty	Description	Item	Part No.	Qty	Description
1		4	#6-32 x 1/2 Screw	31	56263010	1	Chassis
2	56263192	1	Left Panel	32	56263056	2	Strap
3	56263180	2	Blade Assembly	33	56263057	2	Bumper
4		2	1/4-20 x 5/8 Screw	34		26	#10-24 x 1/2 Screw
5	56467470	2	Resistor	35	56363936	1	Battery Cable
6	56263201	1	Resistor Bracket	36	56374905	1	Battery Tray
7		2	1/4-20 x 1/2 Screw	37		A/R	Battery *
8		2	1/4 Shakeproof Washer	38	56263401	1	Connector
9		2	1/4-20 Nut	39		2	1/4-20 x 1-1/2 Screw
10		12	#10-24 x 1/2 Screw	40	56263402	1	Connector
11	56391776	5	Clip	41	56363928	2	Battery Cable
12	56369004	10	Bushing	42	56372673	8	Boot
13	56363855	4	Wheel	43	56263259	1	Chain
14	56386823	2	Bushing	44		3	1/4-20 x 3/8 Screw
15		2	1/4 Washer	45	56454098	1	Sprocket
16		2	1/4-20 x 3-1/2 Bolt	46		1	Key 3/16 x 1
17	56263186	1	Left Bracket	47	56263253	1	Motor
18		4	1/4-20 x 3/8 Screw		56503023	1	Carbon Brush Set
19	56263191	1	Door	48		6	3/8-16 Nut
20	56014046	1	Decal, Advance	49		2	3/8-16 x 1-1/4 Bolt
21	56151092	2	Bushing	50	56263189	2	Adjusting Bracket
22	56263187	1	Right Bracket	51		4	5/16 Washer
23		2	#10-24 Nut	52		4	5/16-18 x 3/4 Bolt
24		8	5/16-18 x 5/8 Bolt	53		4	3/8-16 x 1-1/8 Bolt
25	56263257	2	Caster	54	56444308	2	Bearing
26		16	5/16-18 Nut	55	56263197	1	Wheel Assembly
27	56263195	1	Right Panel	56	56261230	1	Key
28		4	#8-32 x 1 Screw	57	56261028	1	Wheel
29		4	#8 Washer	58	56263188	1	Axle
30	56263267	1	Pump (after S.N. 377451)	59	56263262	1	Sprocket
	56263265	1	Pump (before S.N. 377452)	60	56263190	1	Adapter
				61	56378704	1	Key

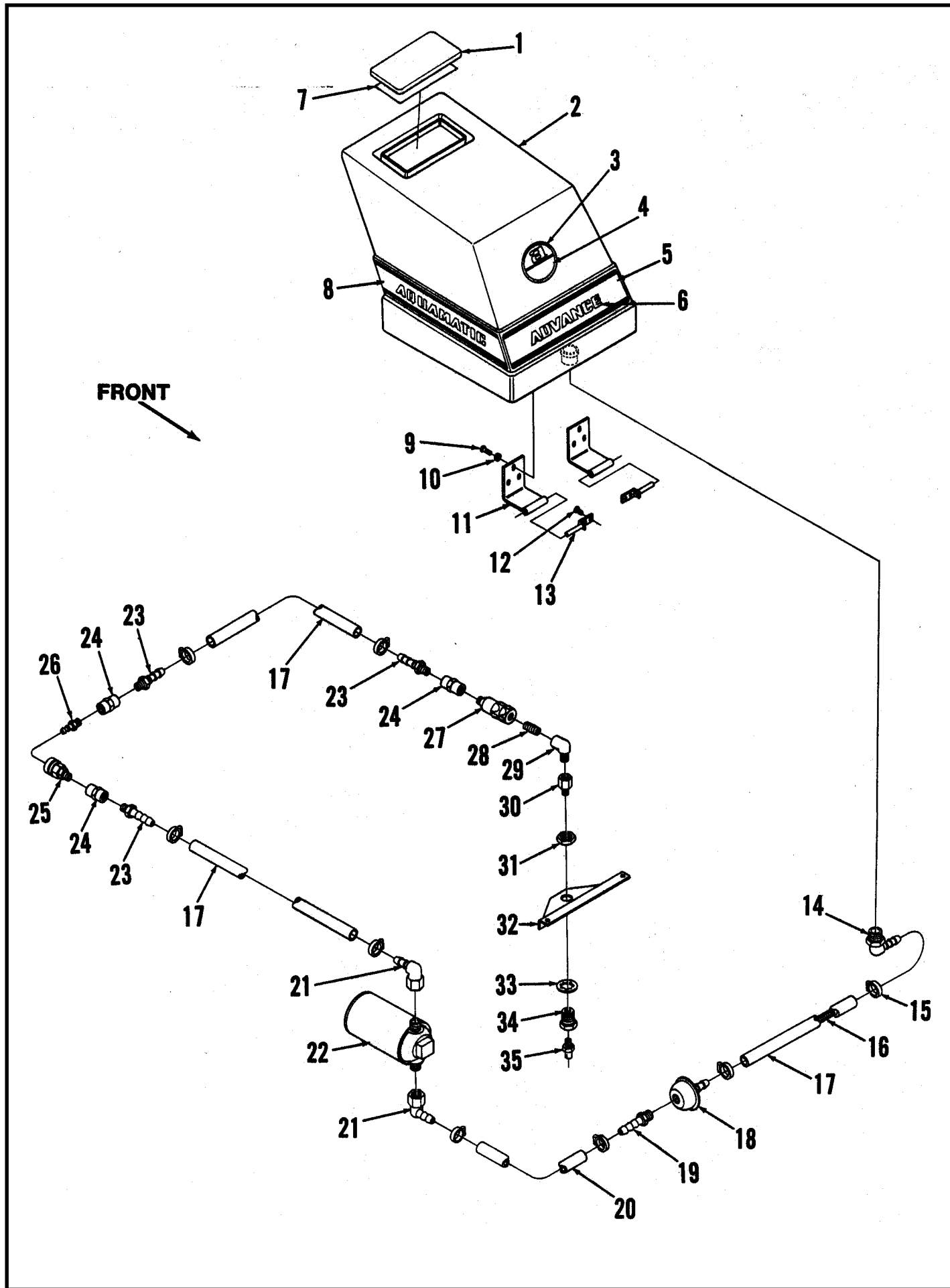
* = not included



SOLUTION TANK AND PUMP AFTER SERIAL NUMBER 377451

Item	Part No.	Qty	Description
1	56263378	1	Cover Assembly
2	56263356	1	Solution Tank
3	56016398	1	Emblem
4	56025166	1	Decal
5	56014759	1	Decal, Front
6	56014794	1	Decal, Advance
7	56014517	1	Decal, Important
8	56014798	1	Decal, Right Stripe
	56014797	1	Decal, Left Stripe
9		4	1/4-20 x .5 Screw
10		4	1/4 Washer
11	56263352	2	Hinge
12		4	1/4-20 x .38 Screw
13	56263369	2	Hinge Pin
14	56900245	1	Elbow
15	56219932	8	Hose Clamp
16	56471103	2	Spring
17	56261263	2	Hose
18	56261247	1	Filter
19	56118117	1	Barb
20	56262560	1	Hose
21	56373456	5	Barb
22	56368938	1	Elbow
23	56328855	4	Spring Nut
24	56263267	1	Pump Assembly
*	56263272	1	Pressure Switch
*	56249943	1	Valve Kit
*	56249843	1	Diaphragm Kit
25	56261271	1	Check Valve
26	56369632	2	Elbow
27	56263384	1	Hose
28	56900032	2	Coupler
29	56249568	1	Quick Disconnect Socket
30	56249857	1	Quick Disconnect Plug
31	56748884	1	Adapter
32	56159247	1	Nut
33	56263185	1	Bracket
34	56261253	1	Anchor Connector
35	56263268	1	Nozzle TSB 511 - G8

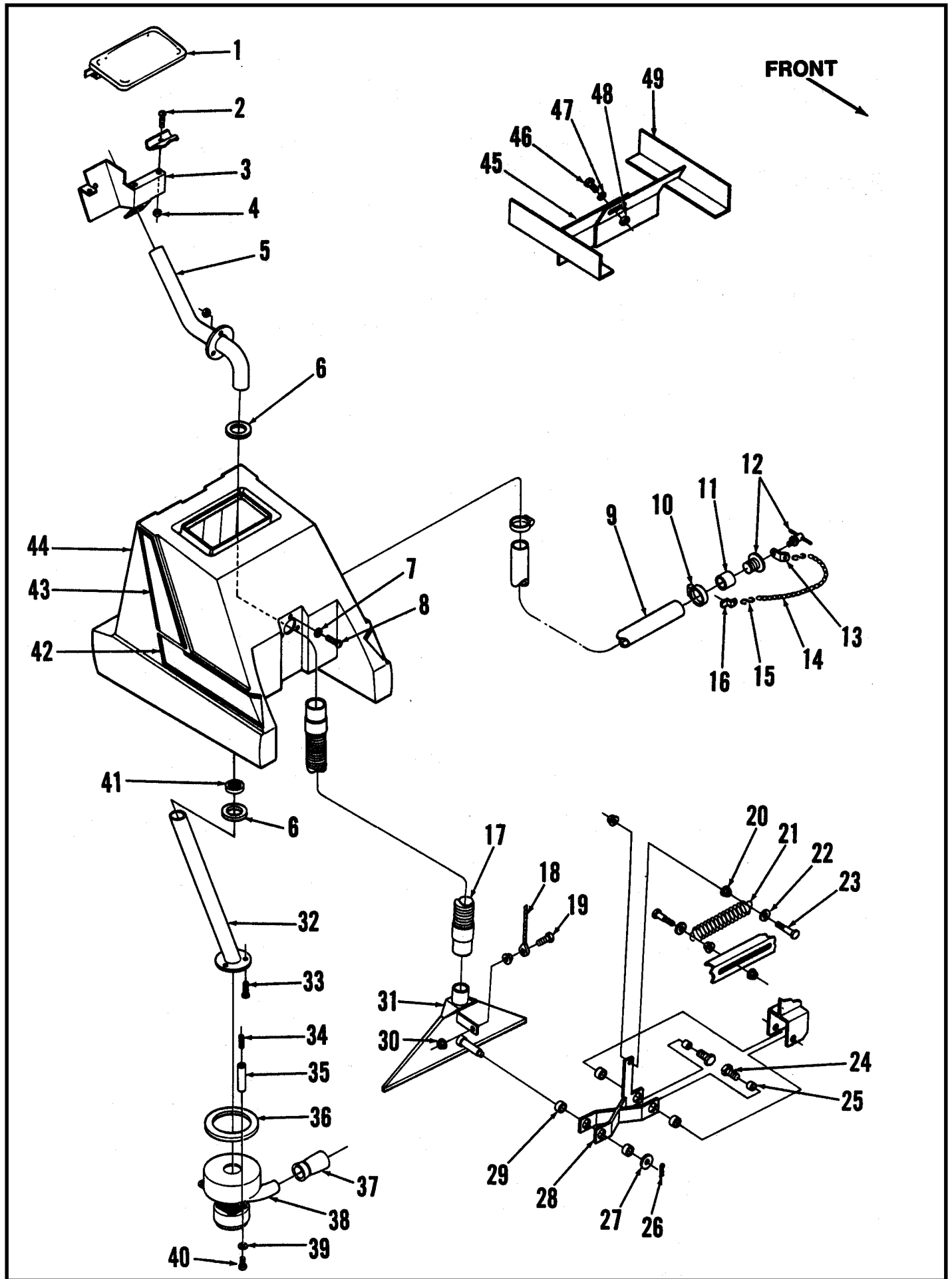
* = Repair parts for Pump



SOLUTION TANK AND PUMP BEFORE SERIAL NUMBER 377452

Item	Part No.	Qty	Description
1	56263378	1	Cover Assembly
2	56263356	1	Solution Tank
3	56016398	1	Emblem
4	56025166	1	Decal
5	56014759	1	Decal, Front
6	56014794	1	Decal, Advance
7	56014517	1	Decal, Important
8	56014798	1	Decal, Right Stripe
	56014797	1	Decal, Left Stripe
9		4	1/4-20 x .5 Screw
10		4	1/4 Washer
11	56263352	2	Hinge
12		4	1/4-20 x .38 Screw
13	56263369	2	Hinge Pin
14	56900245	1	Elbow
15	56219932	8	Hose Clamp
16	56471103	1	Spring
17	56387300	3	Hose
18	56261247	1	Filter
19	56118117	1	Barb
20	56375406	1	Hose
21	56261246	2	Elbow
22	56263265	1	Pump
*	56260741	1	Valve Kit
*	56260740	1	Diaphragm Kit
*	56503014	1	Pressure Switch
*	56503030	1	Check Valve Repair Kit
23	56373456	3	Barb
24	56900032	3	Coupler
25	56249568	1	Quick Disconnect Socket
26	56249857	1	Quick Disconnect Plug
27	56261271	1	Check Valve
28	56150223	1	Nipple
29	56369632	1	Elbow
30	56748884	1	Adapter
31	56159247	1	Nut
32	56263185	1	Bracket
33		1	5/8 Shakeproof Washer
34	56261253	1	Anchor Connector
35	56261242	1	Nozzle

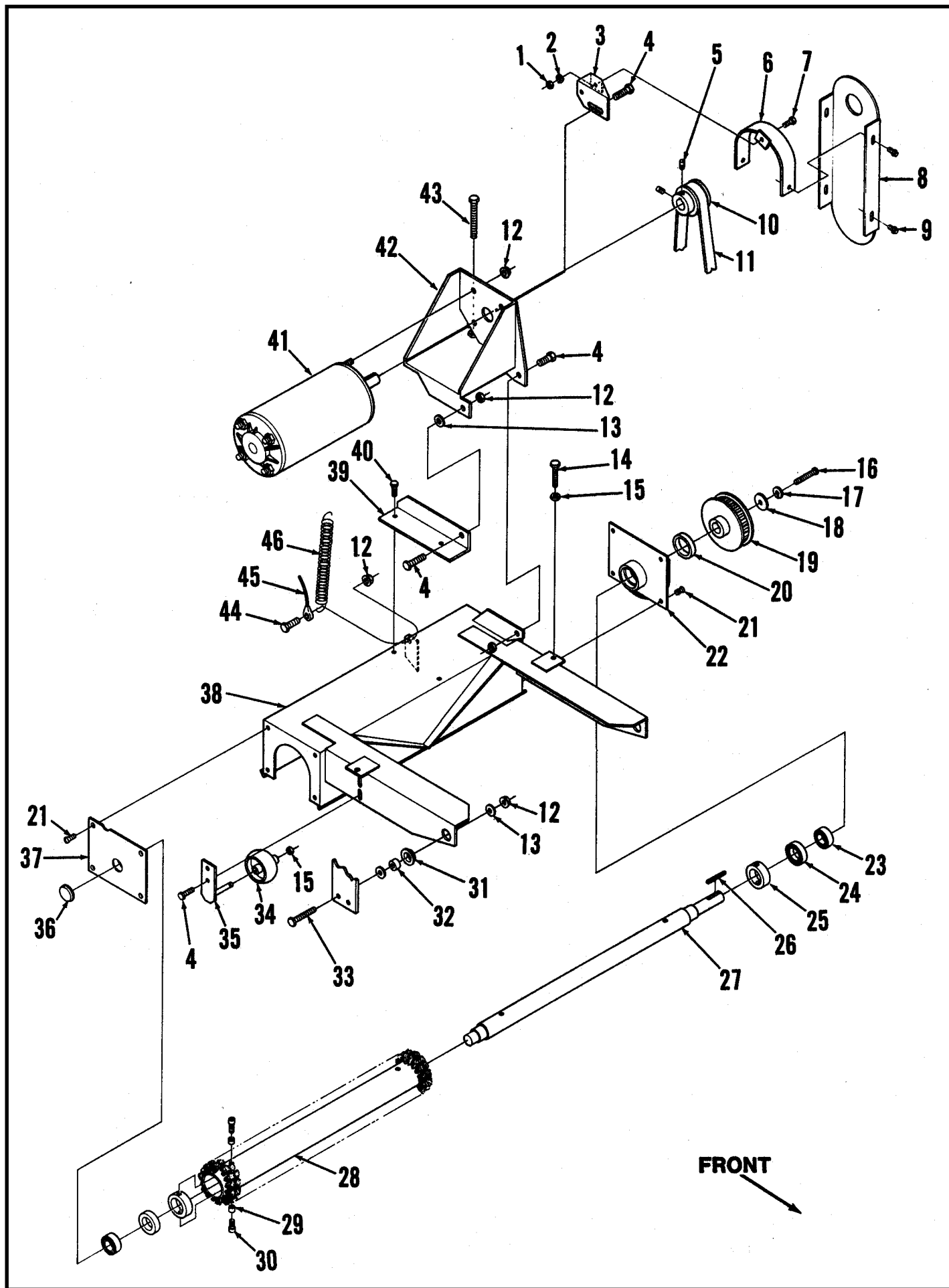
* = Repair parts for Pump



RECOVERY TANK AND VACUUM TOOL

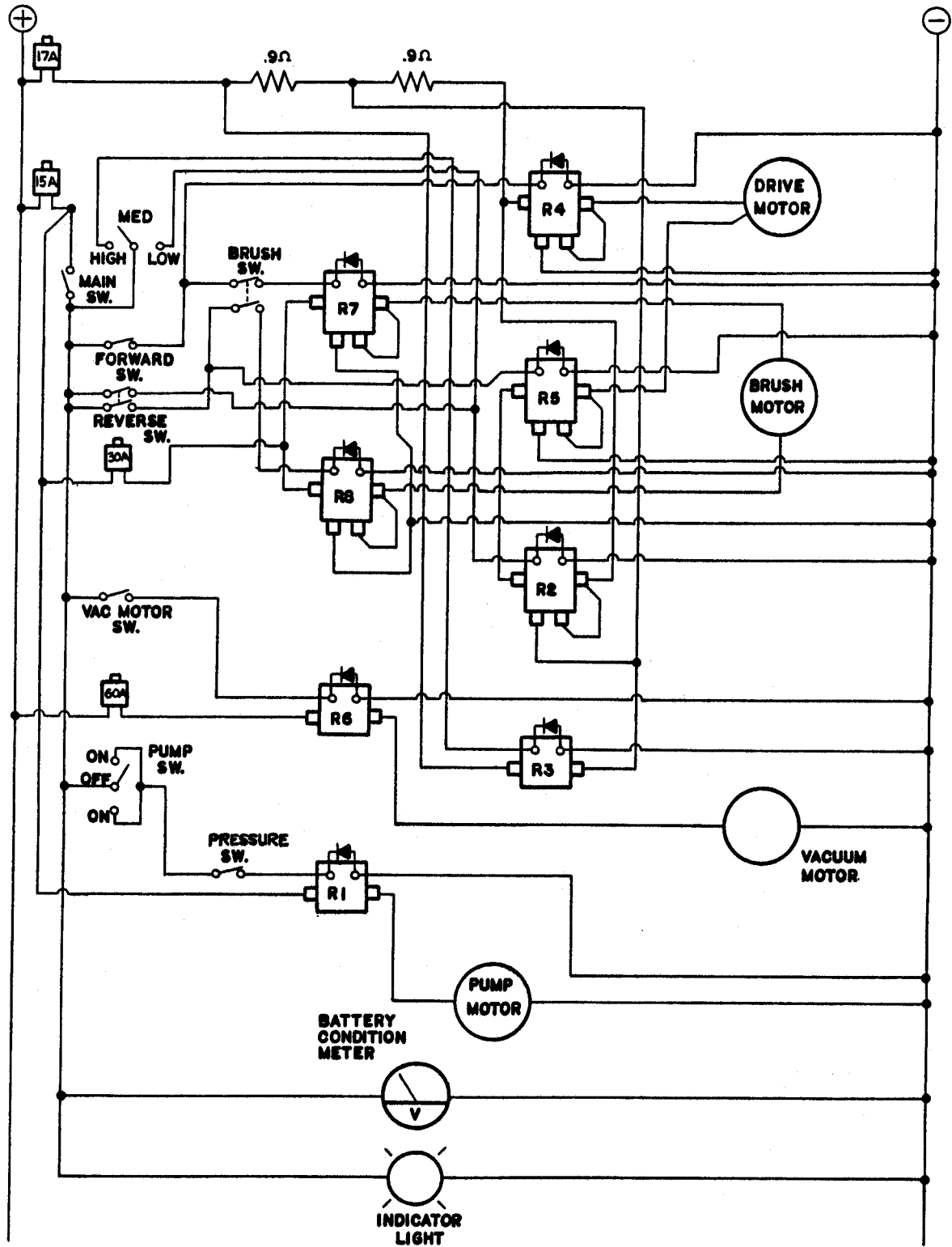
Item	Part No.	Qty	Description	Item	Part No.	Qty	Description
1	56386061	1	Cover Assembly TSB 531 - G6	31	56263300	1	Vacuum Tool
	56386059	1	Gasket	32	56263367	1	Vacuum Tube
2		3	1/4-20 x .875 Screw	33		3	1/4-20 x .5 Screw
3	56263368	1	Baffle	34	56150274	3	Stud
4		6	1/4-20 Nut	35	56377475	3	Stand-Off
5	56263365	1	Recovery Tube	36	56385437	1	Gasket
6	56204161	2	Gasket	37	56391807	1	Foam
7	56900737	3	Washer	38	56263264	1	Vacuum Motor
8	56576520	3	Screw	*	56228051	2	Bearing
9	56263058	1	Drain Tube	*	56372588	2	Rotating Fan (5 inch Dia)
10	56131601	2	Hose Clamp	*	56202328	1	Rotating Fan (4.25 inch Dia)
11	56376940	1	Tube	*	56503003	1	Carbon Brush Set
12	56376948	1	Plug	39		3	1/4 Washer
13	56379942	1	Clip	40		3	1/4-20 x .62 Screw
14	56753665	1	Chain	41	56260973	1	Cap
15	56745391	2	S Link	42	56014773	1	Decal, Right
16	56376944	1	Clip		56014774	1	Decal, Left
17	56260820	1	Recovery Hose	43	56014771	1	Decal, Right
18	56263251	1	Lift Cable		56014772	1	Decal, Left
19		1	1/4-20 x .75 Screw	44	56263361	1	Recovery Tank
20		4	5/16-18 Nut	45	56263372	1	Right Support
21	56381993	1	Spring	46		1	3/8-16 x 1 Bolt
22		2	5/16 Washer	47		1	3/8 Washer
23		2	5/16-18 x 1.25 Bolt	48		1	3/8-16 Nut
24		2	1/2-13 x 1 Bolt	49	56263371	1	Left Support
25	56365030	2	Bushing				
26	56321406	1	Cotter Pin				
27	56180200	1	Washer				
28	56263315	1	Lift Bar				
29	56478781	4	Bearing				
30		1	1/4-20 Nut				

* = Repair parts for Vacuum Motor



BRUSH HOUSING

Item	Part No.	Qty	Description
	56263075	1	Brush Housing Assembly (#1-43)
1		1	#10-24 Nut
2		1	#10 Shakeproof Washer
3	56263095	1	Bracket
4		8	5/16-18 x 1 Bolt
5		2	1/4-20 x .38 Screw
6	56263091	1	Bracket
7		1	#10-24 x .5 Screw
8	56263093	1	Belt Guard
9		4	#10-24 x .38 Screw
10	56261119	1	Pulley
11	56263256	1	Belt
12		11	5/16-18 Nut
13		5	5/16 Washer
14		2	1/4-20 x 1.5 Screw
15		4	1/4-20 Nut
16	56249584	1	Screw
17	56752973	1	Lock Washer
18	56454626	1	Washer
19	56261114	1	Pulley
20	56366331	1	Seal
21		8	#10-24 x .38 Screw
22	56263077	1	Left Hub
23	56220529	2	Ball Bearing
24	56218049	2	Seal
25	56261121	2	Collar
26	56320218	1	Key
27	56263096	1	Shaft
28	56505045	1	Brush
29	56368989	4	Bushing
30		4	1/4-20 x .5 Screw
31	56261145	2	Bearing
32	56320595	2	Bushing
33		2	5/16-18 x 1.12 Bolt
34	56323025	2	Wheel
35	56263097	2	Axle
36	56322231	1	Plug
37	56261129	1	Right Hub
38	56263076	1	Brush Housing
39	56263094	1	Bracket
40		2	1/4-20 x .38 Screw
41	56386261	1	Motor
	56386263	1	Carbon Brush Set for 56386261
42	56263087	1	Motor Mount
43		1	5/16-18 x 1.75 Bolt
44		1	5/16-18 x .75 Bolt
45	56263250	1	Brush Lift Cable
46	56371114	1	Spring



CIRCUIT BREAKERS
 15A AUX CIRCUIT
 17A DRIVE MOTOR
 30A BRUSH MOTOR
 60A VACUUM MOTOR

SOLENOIDS
 R1 PUMP MOTOR
 R2 LOW SPEED DRIVE
 R3 HIGH SPEED DRIVE
 R4 FORWARD DRIVE
 R5 REVERSE DRIVE
 R6 VACUUM MOTOR
 R7 BRUSH FORWARD
 R8 BRUSH REVERSE



**Nilfisk
Advance**

setting standards

Nilfisk-Advance, Inc.

14600 21st Avenue North
Plymouth, MN, 55447-3408

www.nilfisk-advance.com

Phone: 800-989-2235

Fax: 800-989-6566

©2001 Nilfisk-Advance, Inc.,
Plymouth, MN 55447-3408

Printed in the U.S.A.