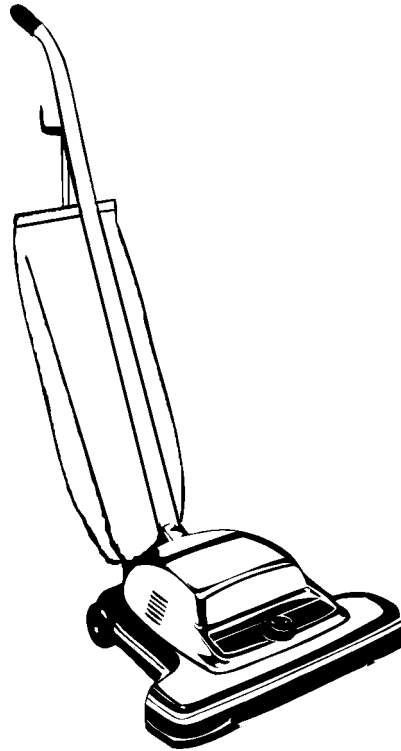


AdVac™ 16HP



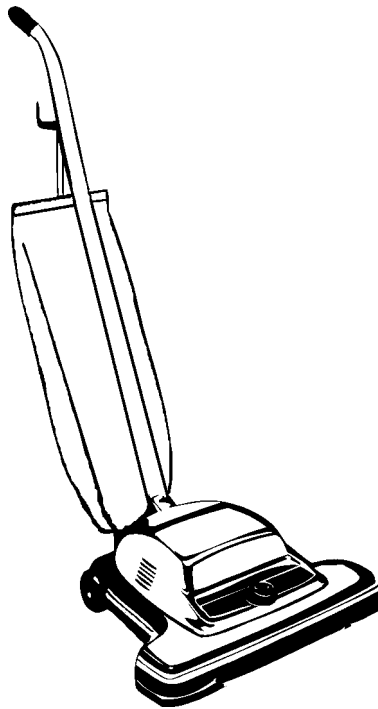
PARTS LIST

AdVac™ MODEL 56648244



Advance
by Nilfisk-Advance

1/02 FORM NO. 56042427

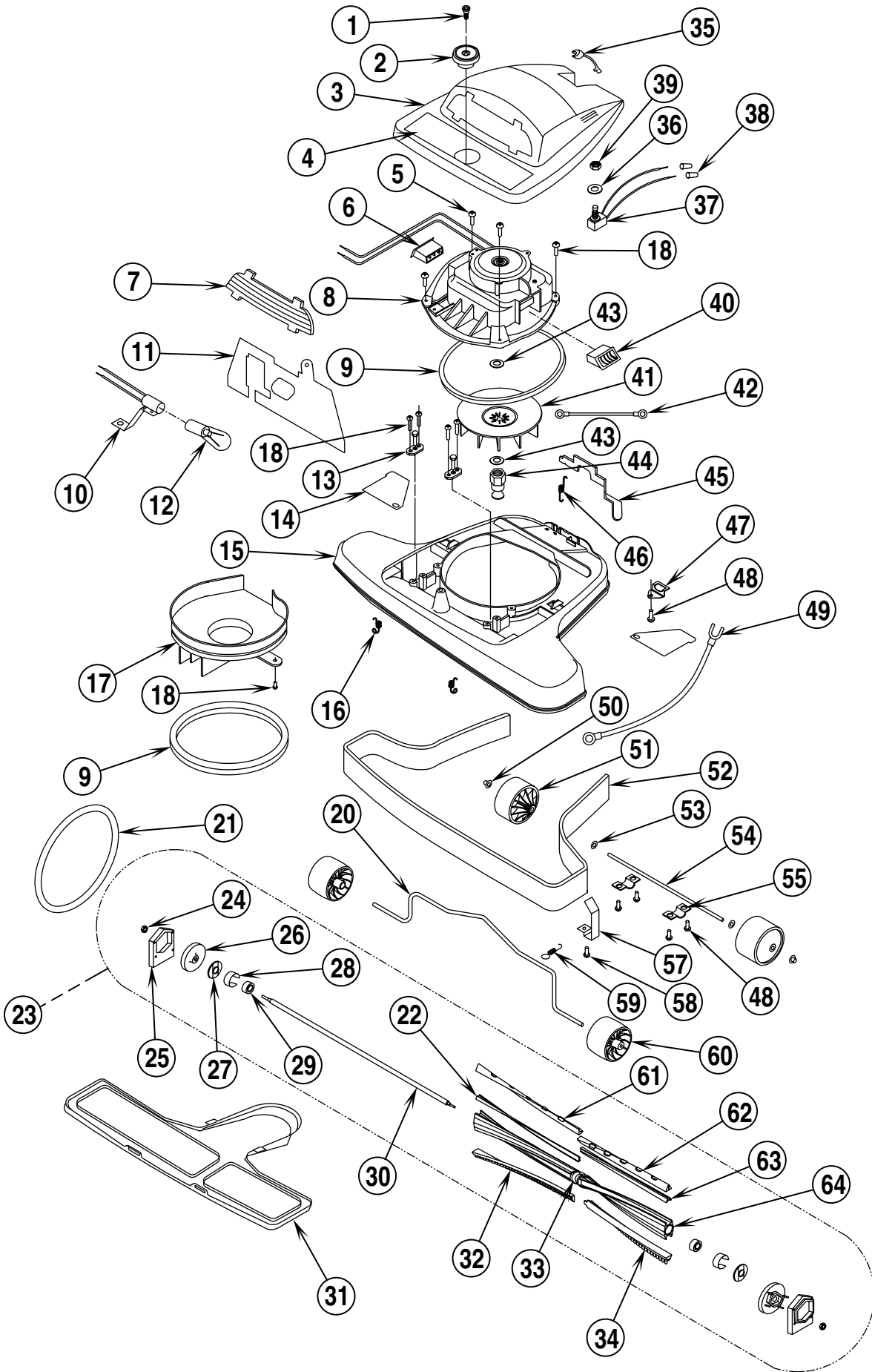


DESCRIPTION	PAGE
BASE ASSEMBLY	2-3
WIRING DIAGRAM	3
VAC MOTOR ASSEMBLY	4-5
HANDLE ASSEMBLY	6-7

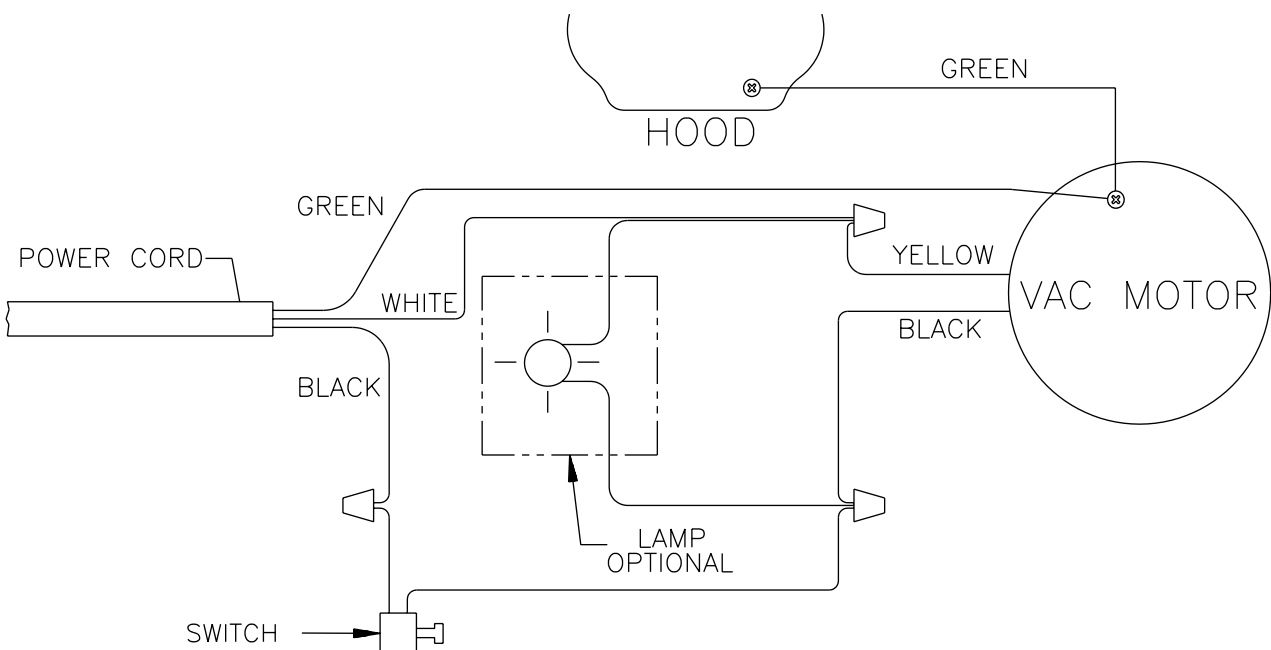
WHEN ORDERING PARTS

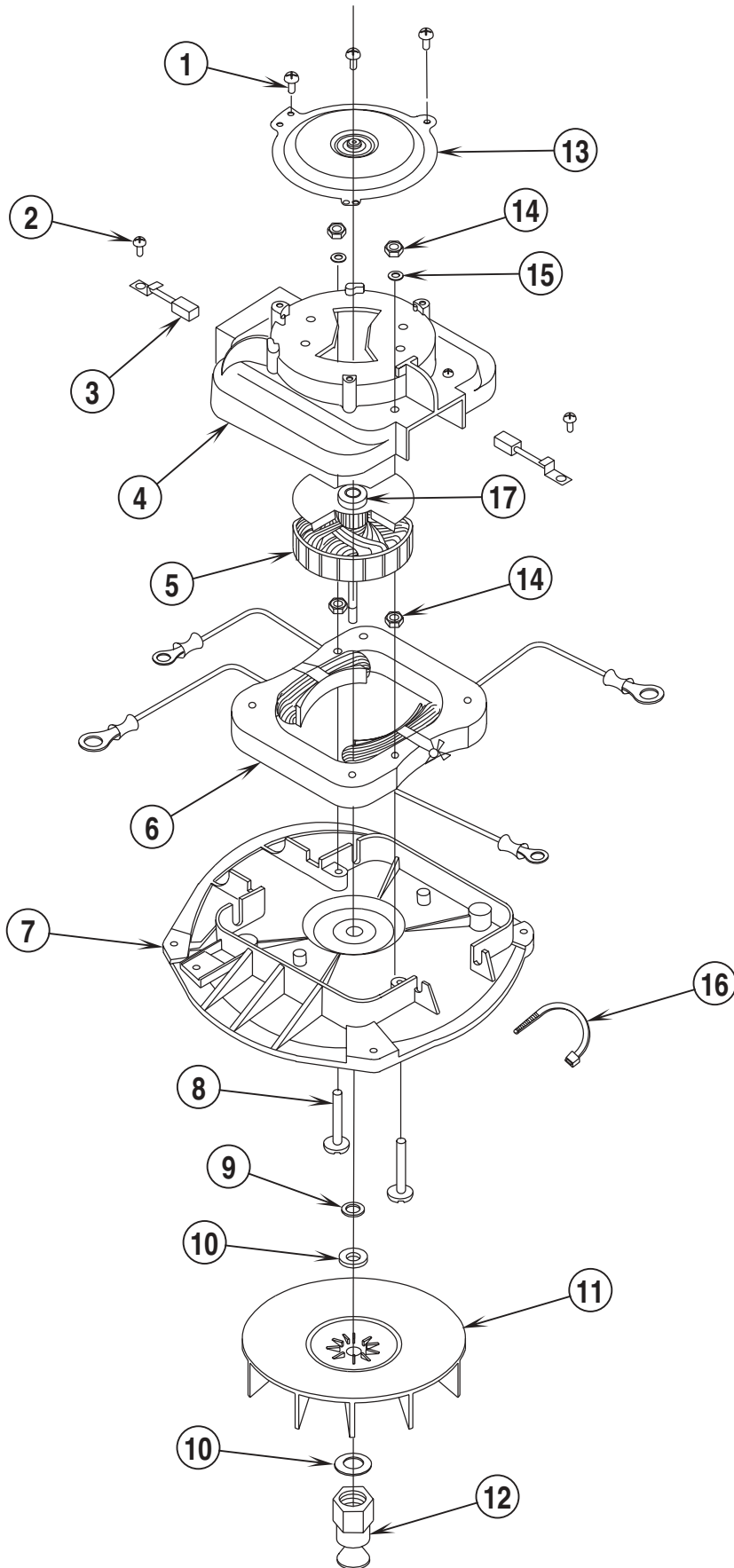
- * Use the 8 digit numbers from the "Ref. No." columns in this parts list.
- * Specify the model and serial number of the machine.
- * Use the space below to record the model and serial number for future reference.

Model _____ Serial No. _____

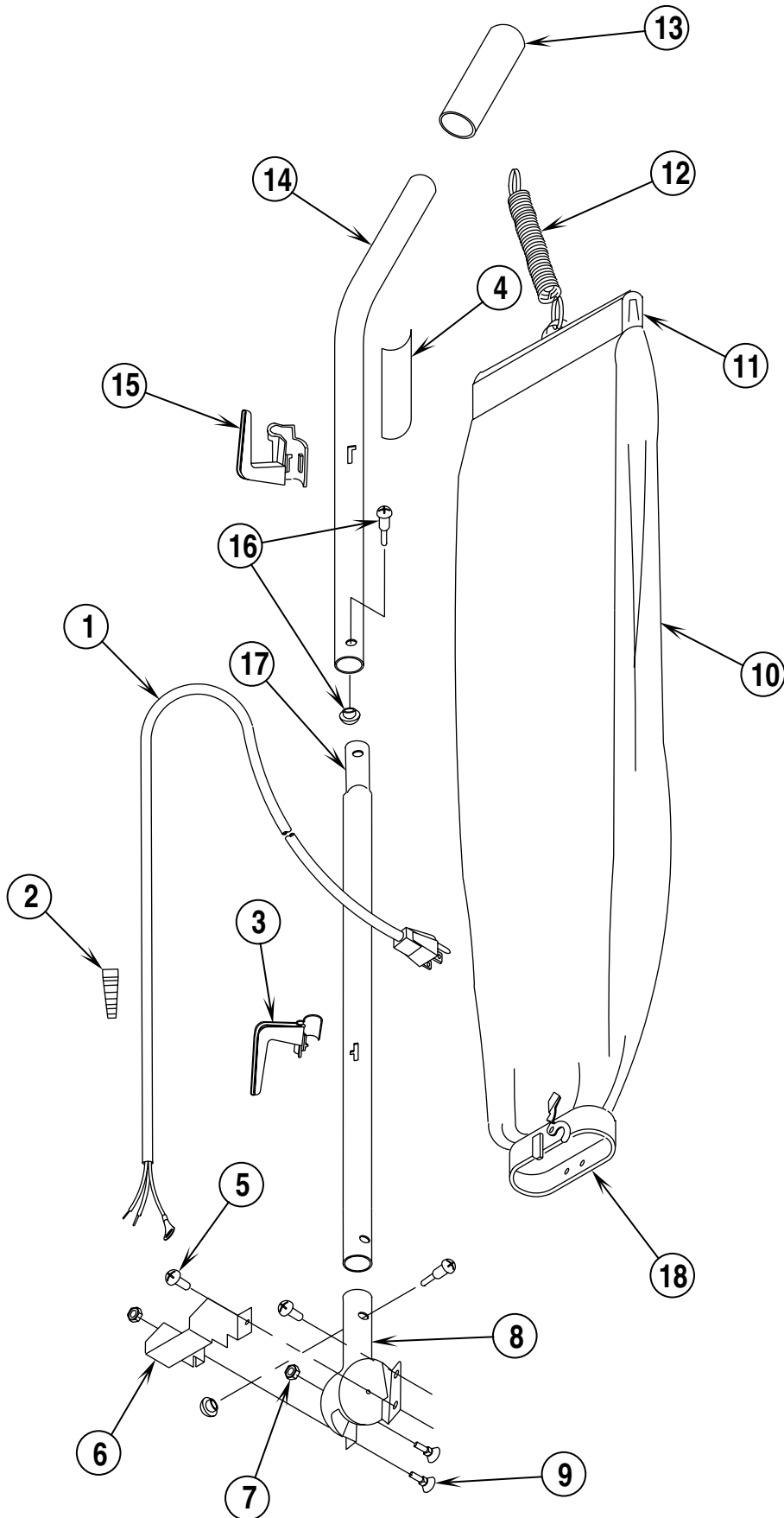


Item	Ref. No.	Qty	Description	Item	Ref. No.	Qty	Description
1	56009385	1	Scr Shldr Plasform 12-10 x .172	36	56009383	1	Wsh, Int Shprf .509 x .625 x .020
2	56630517	1	Asm,Knob	37	56630621	1	Switch,Push—Spst,10a,125v
3	56648083	1	Hood,Mtr—Light/Lens,Lt Gray	38	56638120	3	Nut,Wire—Ideal 72b,Blu
4	56016571	1	Decal, AdVac	39	56630917	1	Nut-Switch Upright
5	56003322	1	Scr Tpg F Pan Hd 10-10x.625l	40	56630949	1	Asm,Air Duct—Left
6	56630950	1	Asm,Air Duct—Right	41	56630273	1	Fan—Upright,Lexan
7	56630265	1	Lens,Hood—Translucent	42	56630914	1	Asm,Wire—18ga,Grn,9.0l,Rings
8	56630358	1	Motor,Vac—Uprr,7 Amp,115v	43	56630799	2	Wshr Flt .312id.625od.094t Fbr
9	56630562	2	Gasket-Motor Seal	44	56630665	1	Pulley—Motor Drive,Service
10	56630680	1	Asm,Headlamp Socket—Uprights	45	56630395	1	Pedal,Foot—Uprr,White
11	56630420	1	Shield,Light—French/English	46	56630732	1	Spring,Ext .257d 1.25l .035wd
12	56630722	1	Lamp—Headlight,115v	47	56630668	1	Retainer Brkt—Bag Clip
13	56630791	2	Asm,Clamp & Screw	48	56009191	5	Scr Tpg F Pan Hd 10-10x.500l
14	56630606	2	Cover-Wheel	49	56630790	1	Asm,Wire—18ga,Grn,7.5l,Rings
15	56648062	1	Asm,Base	50	56630767	2	Nut,Push-On
16	56630765	2	Spring,Ext .304d .930l .055wd	51	56630500	2	Wheel—2.62dia,.316bore,.797hb
17	56630333	1	Cover-Fan Scroll	52	56630507	1	Guard,Furn—Clear Blue,37.00l
18	56003504	9	Scr Tpg F Pan Hd 10-10x.812 L	53	56009384	2	Wshr Flt .32id.562od.031
20	56630597	1	Axle-Front (C2035g)	54	56630671	1	Axle,Rear—Sc886-A
21	56630563	1	Belt-Disturbulator Drive	55	56630921	2	Clamp,Axle
22	56630596	1	Support -Long	57	56630447	2	Clip-Furniture Guard
23	56630493	1	Asm,Disturbulator—Uprr,16,Vg1	58	56002738	2	Scr Tpg F Pan Hd 8-10x.562l
24	56630819	2	Nut,Hex Lock— 10-32,Nyloc	59	56630620	1	Spring,Ext .275d 1.50l .024wd
25	56630488	2	Cap,Cover—Various Uprights	60	56630592	2	Wheel—2.25dia,.322bore,1.62hb
26	56630487	2	Cap,Disturbulator—1.480dia.	61	56630449	1	Bar-Beater Long
27	56630589	2	Cover Plate	62	56630450	1	Bar-Beater Short
28	56630763	2	Tolerance Ring	63	56630595	1	Support -Short-
29	56630762	2	Brg,Ball—.250id,.688od,.312w	64	56630452	1	Asm,Extrusion—W/Pulley
30	56630631	1	Shaft	65	56630878	1	Kit,Cover—Fan Scroll,Uprights
31	56630451	1	Asm,Plate—Bottom	**	56643426	1	Magnet, Permanent
32	56630701	1	Bristle Strip Asm.,Long	** = Not Included (optional)			
33	56630770	1	Pulley Replacement Pkg				
34	56630700	1	Bristle Strip Asm., Short				
35	56630768	1	Bshg,Strn Rlf—Heyco Sr-6n3-4				





Item	Ref. No.	Qty	Description
1	56630787	3	Scr Tpg C Pan Hd 8-Btx.500l
2	56002811	2	Scr Mach Pan Hd 6-32x.250l
3	56630561	2	Brush,Mtr
4	56630525	1	Cover,Mtr
5	56630901	1	Kit,Armature—Replacement
6	56630895	1	Stator,Mtr
7	56630567	1	Asm,Base—Motor
8	56630793	2	Orlo Thd. Screw
9	56630870	1	Wshr Flt .318id.500od.046t Stl
10	56630799	2	Wshr Flt .312id.625od.094t Fbr
11	56630273	1	Fan—Upright,Lexan
12	56630665	1	Pulley—Motor Drive,Service
13	56630375	1	Asm,Retainer
14	56009148	4	Nut,Hex— 8-32,Zn Plt
15	56009010	2	Wshr Lk .172id.330od.020t Int
16	56630749	1	Tie-Cable—3.62" Long
17	56630723	1	Brg,Ball—.275id,.866od,.315w



Item	Ref. No.	Qty	Description
1	56025715	1	Cord,Power—18-3,Sjt,Gray,50'
2	56630634	1	Spring,Comp .625d 2.12l .042wd
3	56630298	1	Hook,Cord—Uprt,Lower,Black
4	56630714	1	Label,Warn—Uprt,Eng/French
5	56003322	2	Scr Tpg F Pan Hd 10-10x.625l
6	56630623	1	Shield-Handle Socket
7	56002768	2	Nut,Hex Lock— 10-24,Nyloc
8	56630696	1	Asm,Handle Socket
9	56003543	2	Bolt,Carriage—10-24 X .625l
10	56630387	1	Asm,Bag—Top Fill,Blk,Tyt,Hdc
11	56630565	1	Clip—Bag,Chrome Over Nkl Plt
12	56630761	1	Spring,Ext .531d 3.89l .054wd
13	56630575	1	Grip,Handle—Black
14	56630267	1	Upper Tube—Upright
15	56630295	1	Hook,Cord—Uprt,Upper,Black
16	56630919	2	Asm,Screw—Handle
17	56630268	1	Handle Tube—Upright
18	56630874	1	Bag,Adapter—Service Item Only
**	56630427	1	Zipper Bag
**	56703533	A/R	Disposable Paper Bag (pkg of 3)
**	56703549	A/R	Disposable Paper Bag (case of 36)
**	56039515	1	Kit, Dirt Cup

** = Not Included (optional)



Nilfisk-Advance, Inc.
14600 21st Avenue North
Plymouth, MN, 55447-3408
www.nilfisk-advance.com
Phone: 800-989-2235
Fax: 800-989-6566
©2001 Nilfisk-Advance, Inc.,
Plymouth, MN 55447-3408
Printed in the U.S.A.