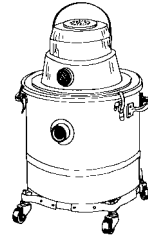


PULLMAN-HOLT

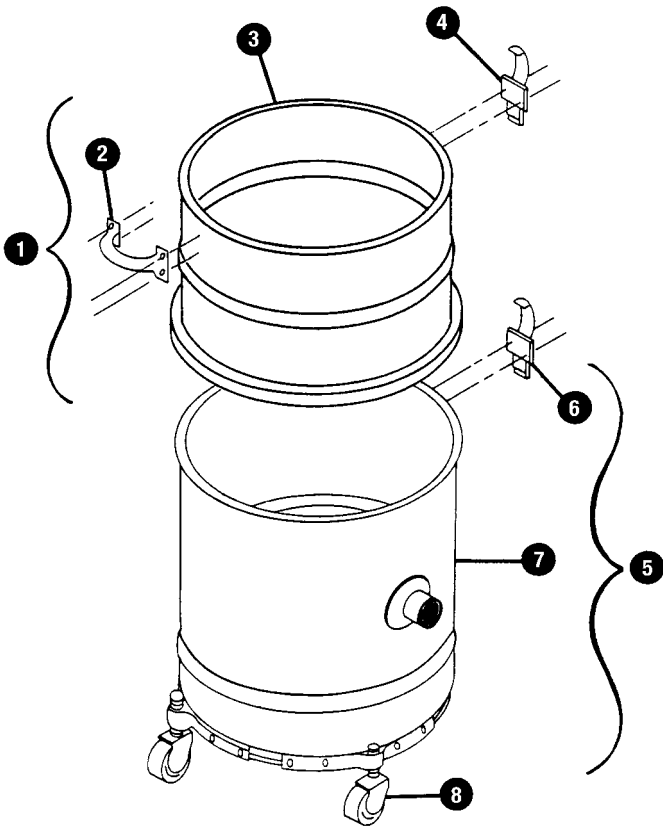
Replacement Parts List

Save For Future Reference

Model 86ASB-5-4-C Compact Wet/Dry Asbestos Vacuum Cleaner



REPLACEMENT PARTS LIST: SPACER & TANK ASSEMBLIES



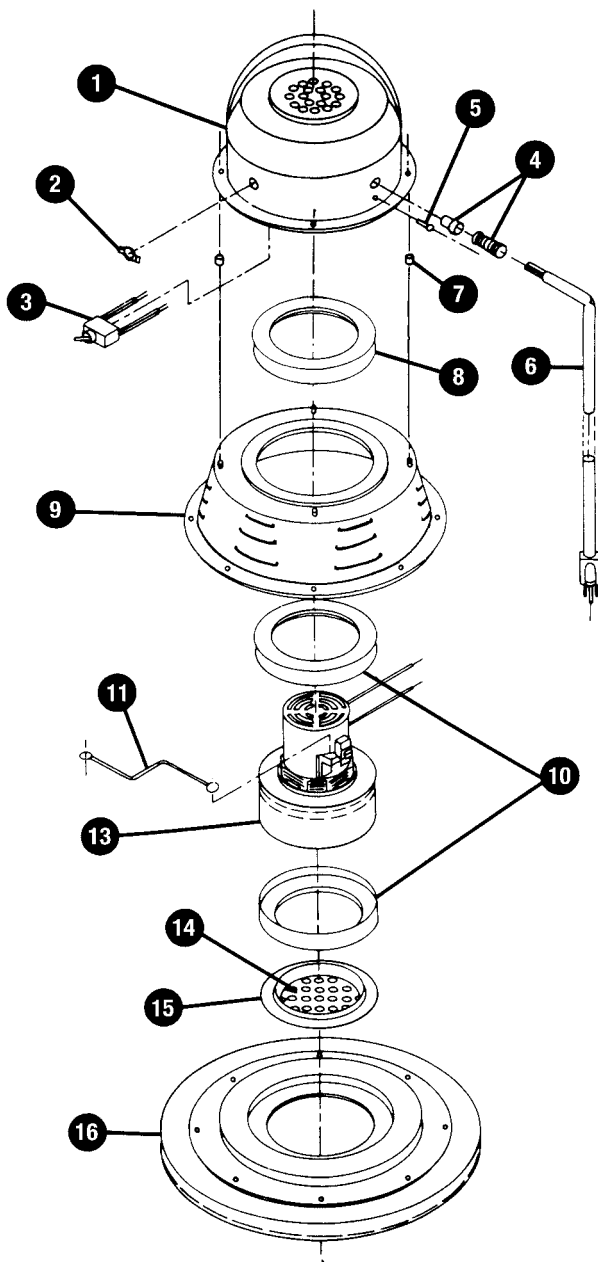
SPACER ASSEMBLY

Ref. No.	B Part No.	Description	Qty.
1	B260083	Complete Spacer	1
2	B910077	Handle	2
3	B260082	Spacer only	1
4	B521454	Clamp	3
Not Shown	B260089	14" Water Pick-Up Adapter	1

TANK ASSEMBLY

Ref. No.	B Part No.	Description	Qty.
5	B260081	Complete Tank Assembly	1
6	B521454	Clamp	3
7	B260080	Tank w/o Clamps or Casters	1
8	B521512	Castors	4

REPLACEMENT PARTS LIST: MOTOR HEAD ASSEMBLY



Ref. No.	B Part No.	Description	Qty.
1	B527431	Dome Assembly	1
2	B910008	Switch Plate	1
3	B000540	Switch	1
4	B524918	Strain Relief	1
5	B910014	Ground Screw	1
6	B000510	Cord Set	1
7	B910105	Spacer	4
8	B521533	Gasket	1
9	B260078	Blower Chamber	1
10	B910091	Gasket	2
11	B910004	Ground Wire Assembly	1
13	B703851	Motor 115V	1
14	B913397	Screen	1
15	B910052	Gasket	1
16	B600281	Can Cap-Plated	1
17	B260085	Complete Motorhead	1

PULLMAN-HOLT

10702 N 46th Street • Tampa, FL 33617
 (813)971-2223 • fax (813) 971-6090
www.pullmanholtcorp.com