

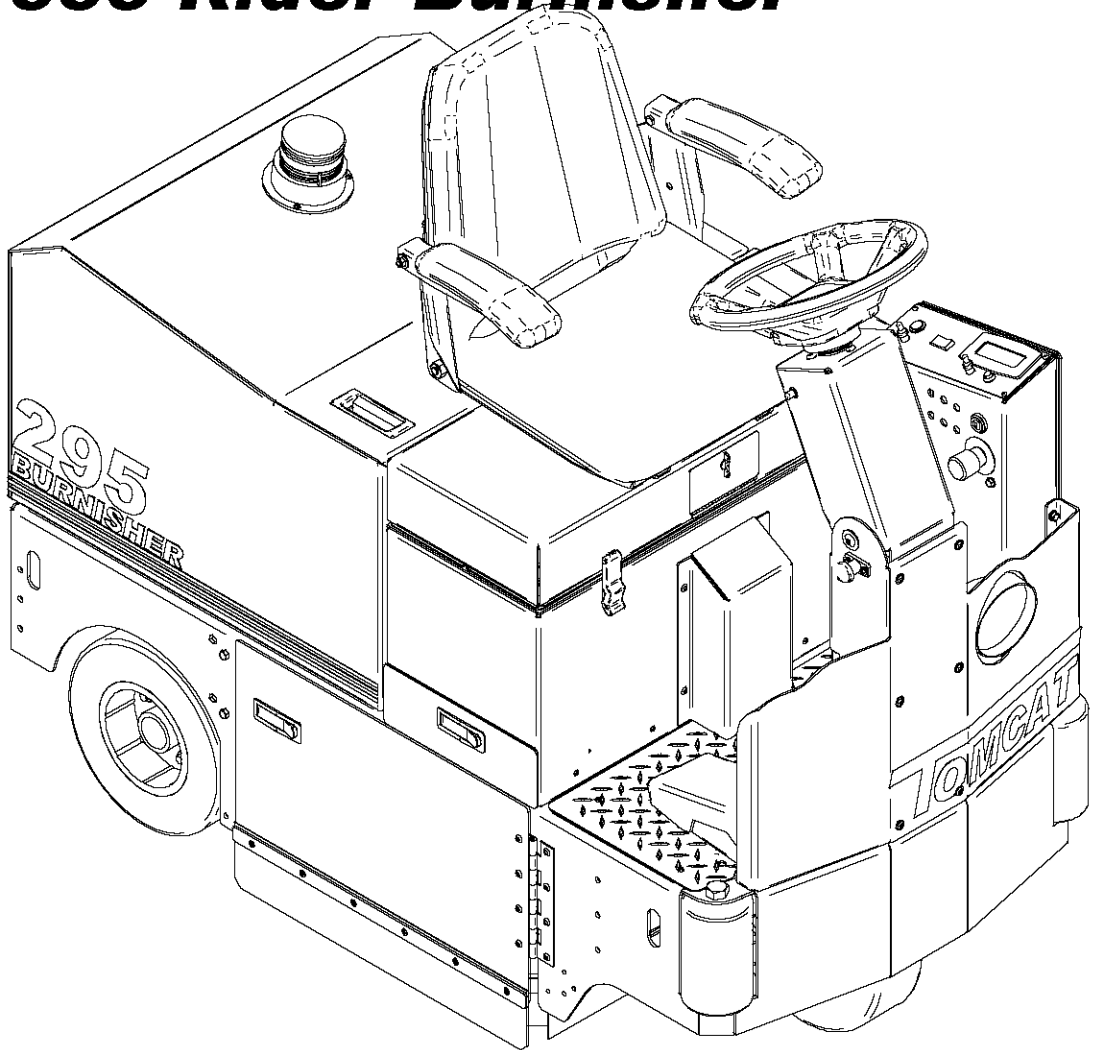
295/335 SERIES

TOMCAT

Operator and Parts Manual

295 Rider Burnisher

335 Rider Burnisher



**Mid-Central Corporation
P.O. Box 241
Racine, Wisconsin 53401**

**Phone: 1-800-450-9824
Fax: 1-866-632-6961**

www.tomcatequip.com

TOMCAT

295 AND 335

RIDER BURNISHERS

THE TOMCAT 295 AND 335 RIDER BURNISHERS ARE THE ONLY RIDER BURNISHERS WITH "ACTIVE DUST CONTROL". OUR FILTER WILL TYPICALLY LAST THE LIFE OF THE MACHINE, WHICH PROVIDES A REAL SAVINGS IN PARTS AND LABOR FOR THE OWNER.

THE STEEL CONSTRUCTION AND STANDARD POLYURETHANE ROLLERS OFFER PROTECTION, EVEN IN ABUSIVE ENVIROMENTS. THE 295, WITH A WIDTH OF ONLY 29 INCHES, EASILY PASSES THROUGH 32 INCH DOORS, AND INTO ELEVATORS DUE TO ITS 59 INCH LENGTH. THE 335, WITH A WIDTH OF 35 INCHES, HAS A 34 INCH BURNISHING PATH WHICH GIVES YOU MORE PRODUCTIVITY. THE ERGONOMIC OPERATOR COMPARTMENT INCLUDES AN ADJUSTABLE, SUSPENSION CHAIR WITH STANDARD ARMRESTS, AND A TILT STEERING WHEEL.

THE 29 INCH AND 35 INCH BURNISHING DECKS ARE PROTECTED UNDER THE MACHINE, AND THE FRONT WHEEL STEERING IS FAMILIAR TO OPERATORS. TWO PADS ARE INDEPENDENTLY FLEX-MOUNTED, WHICH IMPROVES BURNISHING ON UNEVEN FLOORS. EACH PAD IS DRIVEN BY A 3.3 HP. MOTOR, AND A 2.5" INCH DIAMETER DUST HOSE, WHICH IS ENCLOSED IN **TOMCAT'S** EXCLUSIVE "TWIN WALL" DUST CURTAINS. DUST CONTROL REMAINS HIGH EVEN IF ONE OF THE CURTAINS IS DAMAGED.

THE PAD PRESSURE IS MAINTAINED AT ONE OF FIVE PRESSURE SETTINGS BY *CENTRAL COMMAND II*, FOR CONSISTENT CLEANING, AND OUR "ONE TOUCH BURNISHING BUTTON" KEEPS IT SIMPLE. OUR OPTIONAL "MANAGEMENT LOCKOUT" GIVES YOU THE ABILITY TO LOCK OUT ANY ADJUSTMENT TO THE PAD PRESSURE.

THE DUST CONTROL ON THE **TOMCAT 295 AND 335** ARE THE INDUSTRY LEADERS. OUR EXCLUSIVE "BAGHOUSE" STYLE FILTER ENABLES THE FAN TO MOVE HIGH VOLUMES OF AIR, BUT AT A LOWER VELOCITY. THIS ALLOWS FOR EXCELLENT DUST CONTROL, EVEN WITH A "DIRTY FILTER". THE FILTER IS CLEANED AT THE TOUCH OF A BUTTON, AND THE DUST IS EASILY REMOVED FOR DISPOSAL IN A SEPARATE SLIDING DRAWER.

THE **TOMCAT 295 AND 335** HAVE A POWERFUL 2.0 HP. SEALED DRIVE MOTOR FOR STEEP RAMPS, NON-MARKING TIRES TO PROTECT THE FLOOR, AND A PARKING BRAKE THAT SETS AUTOMATICALLY.

THESE QUIET UNITS ARE BATTERY POWERED, AND WILL BURNISH UP TO 150,000 SQUARE FEET ON A CHARGE WITH THE **TOMCAT 295**, AND 180,000 SQUARE FEET WITH THE **TOMCAT 335**. THE CHARGER IS FULLY AUTOMATIC, AND PLUGS INTO ANY STANDARD OUTLET.

TABLE OF CONTENTS

MACHINE INFORMATION FORM	PAGE 1
WARRANTY REGISTRATION FORM	PAGE 2
MACHINE SPECIFICATIONS	PAGE 3
COMMON WEAR PARTS	PAGE 4
SAFETY MESSAGES	PAGE 5
!!SAFETY PRECAUTIONS!!	PAGE 6
MACHINE FEATURES AND CONTROLS	PAGE 7-8
MACHINE PREPARATION	PAGE 9
MACHINE SETUP	PAGE 10
OPERATION	PAGE 11
PRE-BURNISHING CHECK LIST	PAGE 11
ONE PASS BURNISHING	PAGE 11
CHARGING BATTERIES	PAGE 12
MAINTENANCE	PAGE 13
PREVENTATIVE MAINTENANCE RECORDS	PAGE 14-16
LCD SCREEN MENU DISPLAY	PAGE 17
TROUBLESHOOTING CENTRAL COMMAND	PAGE 17-18
TROUBLESHOOTING	PAGE 20-21
PARTS BREAKDOWN	PAGE 22-40

PARTS BREAKDOWN ILLUSTRATION

FRAME TOP FRONT	PAGE 23-24
FRAME TOP REAR	PAGE 25-26
FILTER BOX ASSEMBLY	PAGE 27-28
CENTRAL COMMAND II	PAGE 29-30
STEERING AND TRACTION	PAGE 31-32
FRAME BOTTOM	PAGE 33-34
14 IN. BURNISHING DECK ASSEMBLY	PAGE 35-36
17 IN. BURNISHING DECK ASSEMBLY	PAGE 37-38
ACTUATOR SLIDE ASSEMBLY	PAGE 39-40
FILTERING SYSTEM	PAGE 41-42
DOOR POD ASSEMBLY	PAGE 43-44
WIRING DIAGRAM	PAGE 45-46

MACHINE INFORMATION

PLEASE FILL THIS AREA OUT AT THE TIME OF INSTALLATION FOR FUTURE REFERENCE.

MODEL NUMBER: _____

SERIAL NUMBER: _____

INSTALLATION DATE: _____

INSTALLING DEALER: _____

DEALER CONTACT: _____

ADDRESS: _____

CITY, STATE, ZIP: _____

PHONE NUMBER: _____

THIS OPERATOR AND PARTS MANUAL SHOULD BE CONSIDERED A PERMANENT PART OF THE UNIT AND SHOULD REMAIN WITH THE UNIT AT ALL TIMES. THIS OPERATOR AND PARTS MANUAL COVERS ALL THE TOMCAT 295/355 SERIES BURNISHERS. YOU MAY FIND DESCRIPTIONS AND FEATURES THAT ARE NOT ON YOUR PARTICULAR MODEL. THE INFORMATION AND SPECIFICATION INCLUDED IN THIS PUBLICATION WERE IN EFFECT AT THE TIME OF PRINTING. MID-CENTRAL RESERVES THE RIGHT TO MAKE CHANGES WITHOUT NOTICE INCURRING ANY OBLIGATION.

TO REGISTER FOR WARRANTY, FAX YOUR WARRANTY REGISTRATION FORM TODAY!

TOMCAT

MID-CENTRAL CORPORATION
P.O. BOX 241
RACINE, WI 53401
PHONE: 800-450-9824
FAX 866-632-6961
WWW.TOMCATEQUIP.COM

WARRANTY REGISTRATION FORM

COMPLETE FORM IMMEDIATELY AND FAX BACK TO 886-632-6961

DEALER: _____

SERIAL NUMBER: _____

LOCATION (CITY, STATE): _____

INSTALL DATE: _____

CUSTOMER: _____

HOUR METER: _____

CONTACT: _____

INSTALLED BY: _____

ADDRESS: _____

CITY: _____ STATE _____ ZIP _____

PHONE: _____ FAX: _____

TOMCAT MODEL NUMBER: _____

OPTIONS: 1. _____

4. _____

2. _____

5. _____

3. _____

6. _____

PADS: _____

BUYER'S REPRESENTATIVE HAS:

1. RECEIVED INSTRUCTION IN PROPER OPERATION OF THIS MACHINE.
2. RECEIVED OPERATOR'S MANUAL FOR THIS MACHINE.
3. BEEN MADE AWARE THAT ANY OPERATOR SHOULD READ THE MANUAL BEFORE OPERATING THIS MACHINE.

DEALER REP. PRINT: _____

SIGN: _____

CUSTOMER PRINT: _____

SIGN: _____

TROUBLE SHOOTING

<u>PROBLEM</u>	<u>CAUSE</u>	<u>SOLUTION</u>
POOR DUST CONTROL	MAIN VACUUM HOSE DISCONNECTED BURNISHING DECK HOSE DISCONNECTED BURNISHING DECK HOSE CLOGGED DAMAGED MAIN VACUUM HOSE DAMAGED BURNISHING DECK HOSE FILTER CLOGGED HOPPER NOT CLOSED TIGHTLY HOPPER GASKET FAULTY HOPPER FULL TORN SHROUD CURTAIN FAULTY VACUUM FAN BATTERY CHARGE IS LOW	RECONNECT HOSE RECONNECT HOSE REMOVE DEBRIS CONTACT LOCAL SERVICING DEALER CONTACT LOCAL SERVICING DEALER TURN ON FILTER BEATER ADJUST SCREW ON HOPPER CLAMP TO TIGHTEN SEAL CONTACT LOCAL SERVICING DEALER REMOVE DEBRIS CONTACT LOCAL SERVICING DEALER CONTACT LOCAL SERVICING DEALER CHARGE BATTERIES OVERNIGHT
POOR BURNISHING QUALITY	BURNISHING PADS WORN OUT DEBRIS STUCK TO BURNISHING PAD TORN BURNISHING PAD FAULTY DISK PAD MOTOR BATTERY CHARGE IS LOW	REPLACE PADS REMOVE DEBRIS REPLACE PADS CONTACT LOCAL SERVICING DEALER CHARGE BATTERIES OVERNIGHT
BURNISHING SCRUB DECK NOISY	MISSING BURNISHING PAD BURNISHING PAD WORN OUT TORN CURTAIN HITTING BURNISHING DISKS	REPLACE PADS REPLACE PADS CONTACT LOCAL SERVICING DEALER
REAR TIRES NOISY	BEARINGS DRY FAULTY HUBS	GREASE BEARINGS CONTACT LOCAL SERVICING DEALER
POOR TRACTION	EXCESSIVE BURNISHING PAD PRESSURE WORN DRIVE TIRE	REDUCE PRESSURE WITH SWITCH CONTACT LOCAL SERVICING DEALER
SHORT RUN TIME	BATTERIES RUN DOWN BATTERIES STILL DOWN BATTERIES LOW ON WATER BATTERIES OVER CYCLED	CHARGE BATTERIES TWICE CONTACT LOCAL SERVICING DEALER FILL WITH DISTILLED WATER TO 3/4" ABOVE THE LEAD PLATES CONTACT LOCAL SERVICING DEALER

MODEL

295

335

BODY CONSTRUCTION/DIMENSIONS

CHASSIS CONSTRUCTION:	3/16" STEEL	3/16" STEEL
REAR WHEELS:	12" X 5"	12" X 5"
FRONT WHEEL:	12" X 4"	12" X 4"
SIZE (L X W X H):	59" X 29" X 50"	59" X 35" X 50"
WEIGHT (WITHOUT BATTERIES):	932 LBS.	992 LBS.
WEIGHT (WITH BATTERIES):	1,674 LBS	1,734 LBS.

BURNISHING SYSTEM

PAD DIAMETER:	(2) 14 INCHES	(2) 17 INCHES
DRIVE TO PAD:	DIRECT	DIRECT
BURNISHING PATH:	27-1/2 INCHES	33-1/2 INCHES
PAD MOTOR POWER:	(2) 3.3 HP	(2) 3.3 HP
PAD MOTOR SPEED:	2000 RPM	2000 RPM
PAD SPEED:	2000 RPM	2000 RPM
PAD PRESSURE:	UP TO 65 LB.	UP TO 65 LB.
PAD ADJUSTMENT:	(5) AUTOMATIC SETTINGS	(5) AUTOMATIC SETTINGS

FILTERING SYSTEM

FILTERING MATERIAL:	POLYMER FELT	POLYMER FELT
FILTER RATING:	1 MICRON	1 MICRON
SIZE:	24-1/2 SQ.FEET	24-1/2 SQ. FEET
VACUUM POWER:	1 HP	1 HP
AIRFLOW RATING:	250 CFM	250 CFM
DUST HOPPER CAPACITY:	0.4 CUBIC FEET	0.4 CUBIC FEET
FILTER SHAKER:	ELECTRIC	ELECTRIC

BATTERY SYSTEM

VOLTS	36	36
BATTERY AH RATING:	(6) 396 AH	(6) 396 AH
BATTERY RUN TIME:	UP TO 4 HRS.	UP TO 4 HRS.
CHARGER (AUTOMATIC):	36 AMP, 110 VOLT	36 AMP, 110 VOLT

DRIVE SYSTEM

TRANSAXLE DESCRIPTION:	2.0 HP, SEALED	2.0 HP, SEALED
SPEED CONTROL:	0-5 MPH	0-5 MPH
BRAKING SYSTEM:	DYNAMIC BRAKING	DYNAMIC BRAKING

PRODUCTIVITY

BURNISHING WIDTH:	27-1/2 INCHES	33-1/2 INCHES
BURNISHING RATE/HOUR (NORMAL):	36,300 FT/HR	44,220 FT/HR
BURNISHING RATE/HOUR (MAXIMUM):	47,000 FT/HR	58,000 FT/HR

WARRANTY

PARTS:	3 YEARS	3 YEARS
LABOR:	1 YEAR	1 YEAR

COMMON WEAR PARTS

<u>PAD</u>	<u>PAD FUNCTION</u>	<u>RESULTS</u>	<u>295 PART NUMBER</u>	<u>335 PART NUMBER</u>
IMAGE ULTRA HIGH SPEED - BEIGE	ULTRA HIGH SPEED THERMAL BUFFING AND BURNISHING.	FOR THERMAL BUFFING AND BURNISHING. FOR FREQUENT BURNISHING ON SOFT TO MEDIUM FINISHES.	14-4221	17-4221
LUSTER LITE - BLUE	ULTRA HIGH SPEED BUFFING AND BURNISHING.	FOR BURNISHING SOFT FLOOR FINISHES. MAY BE USED ON A DAILY BASIS. IDEALLY SUITED FOR TOP DRESSING HIGHLY POLISHED FLOORS.	14-4222	17-4222
COMBO ULTRA HIGH SPEED	ULTRA HIGH SPEED BUFFING AND BURNISHING.	BLENDED POLYESTER AND NATURAL FIBERS. FOR FREQUENT BURNISHING ON MEDIUM FINISHES.	14-4223	17-4223
PORKO ULTRA HIGH SPEED	ULTRA HIGH SPEED BUFFING AND BURNISHING.	BLENDED NATURAL FIBER PAD. USE DRY OR WITH SPRAY BUFF SOLUTION. FOR FREQUENT MINIMAL BURNISHING ON HARD FINISHES.	14-4224	17-4224
PORKO ELITE	ULTRA HIGH SPEED BUFFING AND BURNISHING.	BLENDED NATURAL FIBER PAD WORKS ON ALL UHS MACHINES. FOR MINIMAL BURNISHING ON MEDIUM TO HARD FINISHES.	14-4225	17-4225
PORKO PLUS	ULTRA HIGH SPEED BUFFING AND BURNISHING.	HIGH CONTENT OF NATURAL FIBERS. IDEAL FOR MINIMAL BURNISHING ON HARD FINISHES.	14-4226	17-4226

DOOR AND SHROUD CURTAIN KIT

MODEL 295 14" DECK PART NUMBER 290-5500

KIT WILL INCLUDE (2) DOOR CURTAINS, (2) LATERAL CURTAINS, AND (2) 14 INCH DECK SHROUD CURTAINS.

MODEL 335 17" DECK PART NUMBER 290-5501

KIT WILL INCLUDE (2) DOOR CURTAINS, (2) LATERAL CURTAINS, AND (2) 17 INCH DECK SHROUD CURTAINS.

SAFETY MESSAGES

YOUR SAFETY, AND THE SAFETY OF OTHERS, IS VERY IMPORTANT, AND OPERATING THIS UNIT SAFELY IS AN IMPORTANT RESPONSIBILITY.

TO HELP YOU MAKE INFORMED DECISIONS ABOUT SAFETY, WE HAVE PROVIDED OPERATING PROCEDURES AND OTHER SAFETY INFORMATION IN THE MANUAL. THIS INFORMATION INFORMS YOU OF POTENTIAL HAZARDS THAT COULD HURT YOU OR OTHERS.

IT IS NOT PRACTICAL OR POSSIBLE TO WARN YOU OF ALL THE HAZARDS ASSOCIATED WITH OPERATING THIS UNIT. YOU MUST USE YOUR OWN GOOD JUDGEMENT.

THIS IS INTENDED FOR COMMERCIAL USE. IT IS DESIGNED TO BE USED ON HARD FLOORS IN AN INDOOR ENVIRONMENT, WITH THE RECOMMENDED PADS.

1. DO NOT OPERATE UNIT:

UNLESS TRAINED AND AUTHORIZED.
UNLESS OPERATOR MANUAL IS READ AND UNDERSTOOD.
IF UNIT IS NOT PROPER CONDITION.

2. WHEN OPERATING UNIT:

REMOVE LOOSE OBJECTS FROM THE FLOOR THAT MAY BE PROJECTED FROM THE REVOLVING BURNISHER PADS.
KEEP HANDS AND FEET AWAY FROM REVOLVING BURNISHER PADS.
DO NOT OPERATE MACHINE WHERE FLAMMABLE LIQUIDS ARE PRESENT.
USE EXTREME CAUTION WHEN MANUEVERING.

3. BEFORE LEAVING:

MAKE SURE MACHINE IS TURNED OFF.
STOP ON LEVEL SURFACES.
DISCONNECT BATTERIES.

4. BEFORE SERVICING:

STOP ON LEVEL SURFACE, AND SECURE MACHINE.
DISCONNECT BATTERIES.

!! SAFETY PRECAUTIONS!!

WARNING: HAZARDOUS VOLTAGE. SHOCK, OR BURNS CAN RESULT. ALWAYS DISCONNECT THE BATTERIES BEFORE SERVICING MACHINE.

WARNING: BATTERIES EMIT HYDROGEN GASES, EXPLOSION OR FIRE CAN RESULT. KEEP SPARKS AND OPEN FLAMES AWAY.

WARNING: CHARGE UNIT IN A WELL VENTILATED AREA, AND KEEP BATTERY COMPARTMENT OPEN WHEN CHARGING. EXPLOSION OR FIRE COULD RESULT.

WARNING: BATTERY ACID CAN CAUSE BURNS. WEAR PROTECTIVE EYE WEAR AND GLOVES WHEN SERVICING BATTERIES.

WARNING: DO NOT STORE OUTDOORS OR PRESSURE WASH. PREVENT FROM GETTING ELECTRONIC COMPONENTS WET.

WARNING: THE USE OF PARTS AND SOLUTIONS OTHER THAN RECOMMENDED BY THE MANUFACTURER MAY CAUSE DAMAGE OR ENDANGER PEOPLE.

WARNING: DRESS SAFELY. DO NOT WEAR RINGS OR METAL WRIST WATCHES WHILE WORKING ON THIS MACHINE. THEY CAN CAUSE AN ELECTRICAL SHORT, WHICH, CAN CAUSE SERIOUS BURNS. DO NOT WORK ON THIS MACHINE WHILE WEARING A TIE, SCARF OR OTHER LOOSE, DANGLING NECKWARE OR CLOTHING. THESE LOOSE ITEMS CAN TANGLE IN THE ROTATING PARTS AND CAUSE SERIOUS INJURY OR EVEN DEATH.

WARNING: DO NOT USE THE MACHINE AS A STEP LADDER OR CHAIR.

WARNING: ONLY OPERATE THIS MACHINE FROM THE OPERATORS SEAT. IT WAS NOT DESIGNED TO CARRY PASSENGERS.

WARNING: DO NOT OPERATE THIS MACHINE ON RAMPS OR UNEVEN SURFACES. WHEN CLIMBING A RAMP, ALWAYS DRIVE THE MACHINE IN FORWARD STRAIGHT UP OR DOWN THE RAMP. NEVER DRIVE ACROSS THE INCLINE. DO NOT BACK DOWN OR TURN ON RAMPS!

WARNING: ALWAYS USE THE CHARGER PROVIDED BY THE MAUFACTURER TO CHARGE THE MACHINE. IT IS AN AUTOMATIC CHARGER, SPECIFICALLY DESIGNED TO CHARGE AT THE APPROPRIATE RATE. IF YOU MUST USE A DIFFERENT CHARGER, DISCONNECT THE BATTERIES BEFORE CHARGING. THIS WILL PREVENT DAMAGE TO THE ELECTRONIC SPEED CONTROLLER.

WARNING: UNDERSTAND THE DYNAMIC BRAKING SYSTEM BEFORE YOU OPERATE THE MACHINE ON RAMPS. MACHINE DOES NOT COAST. RELEASING THE FOOTPEDAL WILL AUTOMATICALLY APPLY BRAKING FORCE, AND STOP THE MACHINE.

WARNING: DO NOT PARK THE MACHINE ON RAMPS OR SLOPES. THE MACHINE HAS A PARKING BRAKE, BUT IT IS RECOMMENDED THAT IS ALWAYS BE PARKED ON LEVEL GROUND.

WARNING: DO NOT OPERATE THE MACHINE IF ANY PARTS HAVE BEEN REMOVED OR DAMAGED.

WARNING: DO NOT REMOVE, PAINT OVER, OR DESTROY WARNING DECALS. IF WARNING DECALS BECOME DAMAGED, THEY MUST BE REPLACED.

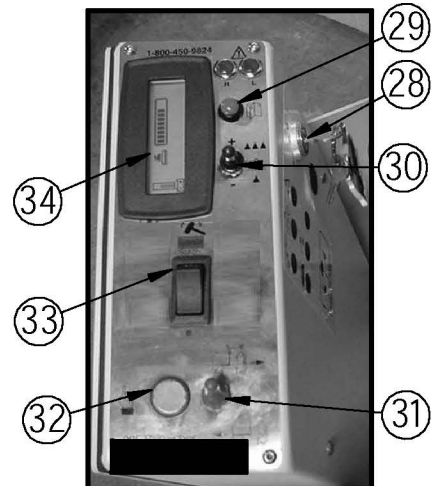
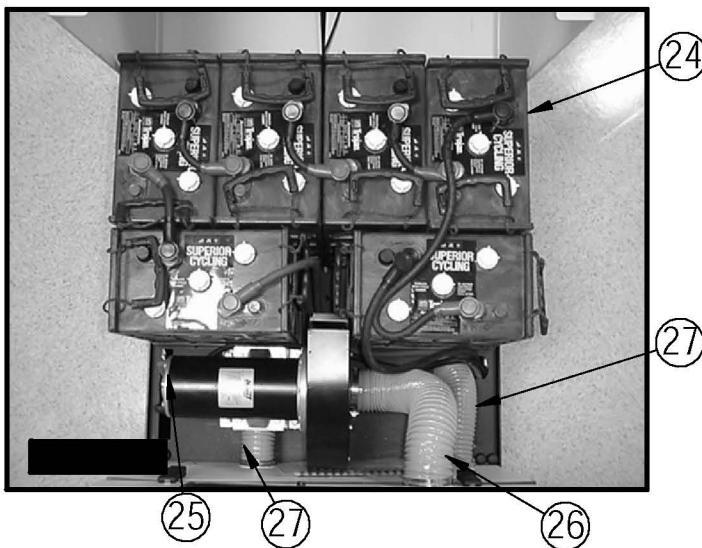
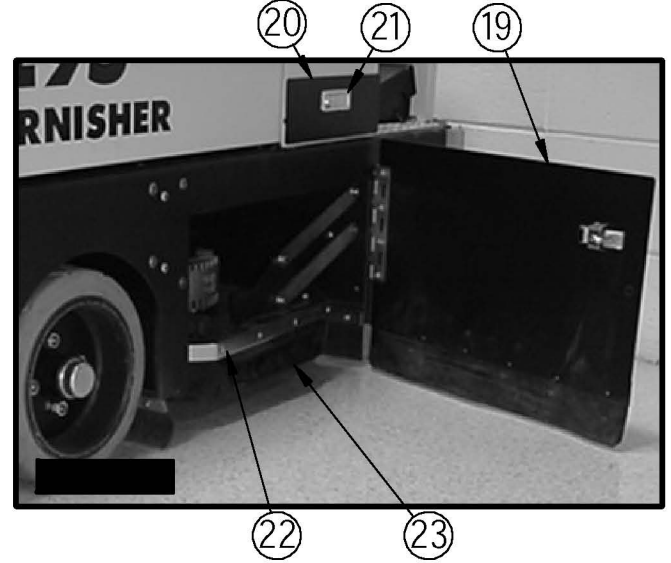
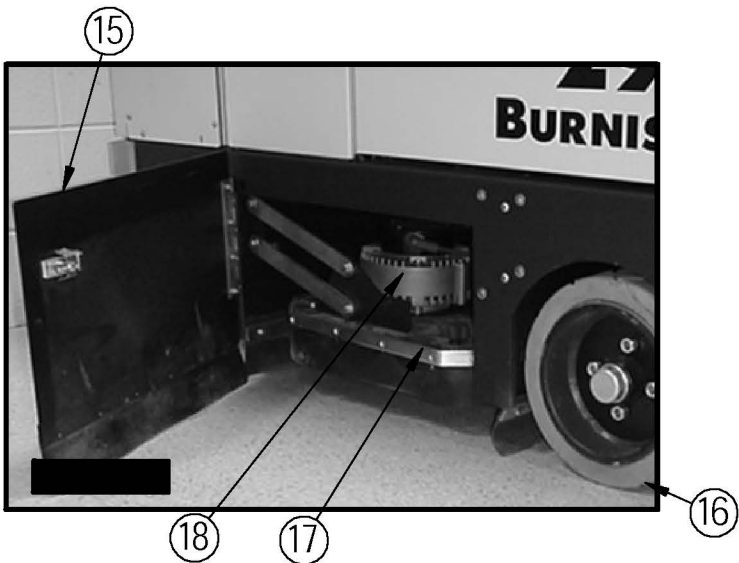
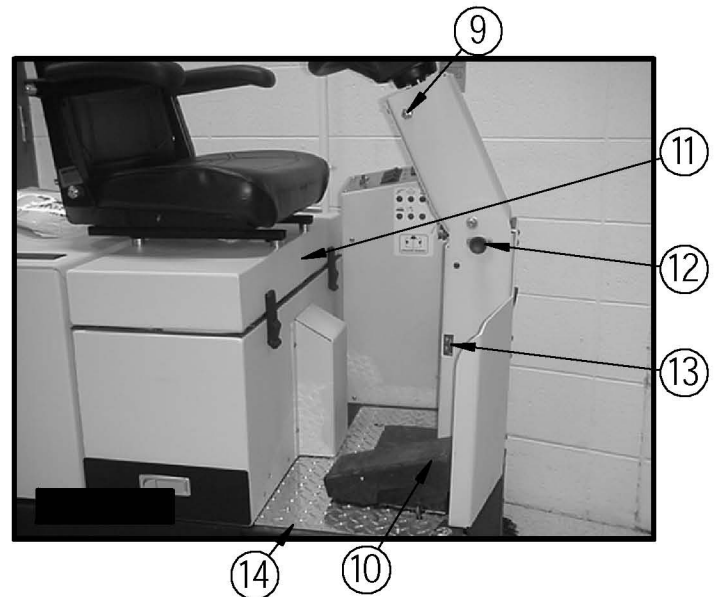
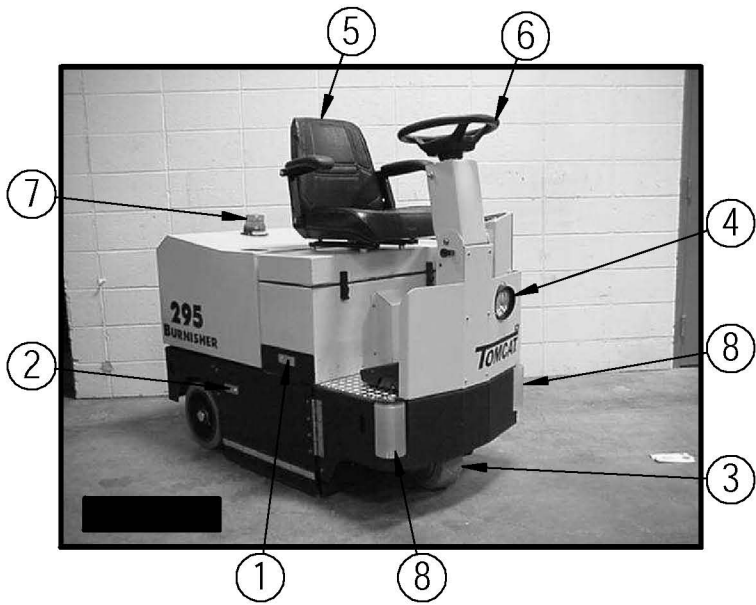
WARNING: DO NOT OPERATE MACHINE IN UNSAFE CONDITION. IF THE MACHINE IS IN NEED OF REPAIR OR IS IN ANY WAY UNSAFE TO OPERATE, THE MATTER SHOULD BE REPORTED IMMEDIATELY TO THE SHIFT SUPERVISOR. DO NOT OPERATE THE MACHINE UNTIL IT IS RETURNED TO PROPER OPERATING CONDITION.

WARNING: THIS MACHINE MUST ONLY BE OPERATED BY TRAINED OPERATOR. AS PART OF HIS OR HER TRAINING, THEY MUST READ THIS MANUAL THOROUGHLY. IF EXTRA COPIES ARE NEEDED, CONTACT YOUR LOCAL DEALER.

WARNING: ALWAYS TURN OFF THE MACHINE, BEFORE LEAVING IT UNATTENDED.

WARNING: DO NOT OPERATE OVER ELECTRICAL FLOOR OUTLETS. MAY RESULTS IN SERIOUS INJURY.

MACHINE CONTROLS AND FEATURES



CONTROLS AND FUNCTIONS

SEE FIGURES (1-6) ON PAGE 7

FIGURE 1.

1. **DUST TRAY LATCH:** KEEPS DUST TRAY IN PLACE.
2. **BURNISHING DECK ACCESS DOOR LATCH:** KEEPS ACCESS DOOR LOCKED.
3. **FRONT WHEEL:** STEERS AND PROPELS MACHINE.
4. **HEADLIGHT:** HELPS YOU SEE IN LOW LIGHT AREAS AND TO WARN ONCOMING TRAFFIC.
5. **SEAT:** ADJUSTABLE SEAT FOR OPERATOR COMFORT AND EASE OF ENTRY.
6. **STEERING WHEEL:** USED TO STEER THE MACHINE.
7. **STROBE LIGHT:** SAFETY LIGHT. (OPTIONAL)
8. **CORNER ROLLER BUMPERS:** HELPS PREVENT DAMAGE TO MACHINE WHEN CLEANING CLOSE TO WALLS AND OTHER OBJECTS.

FIGURE 2.

9. **HORN BUTTON:** SOUNDS HORN.
10. **FOOT PEDAL:** MAKES MACHINE GO AND RELEASE PEDAL TO STOP.
11. **WET BY-PASS:** YOU BURNISH OVER WATER WITHOUT SUCKING THE WATER UP INTO THE FILTER.
12. **ADJUSTABLE STEERING:** ADJUSTABLE STEERING WHEEL FOR COMFORT AND EASE OF ENTRY.
13. **CHARGE PORT:** RED 50 USED TO RECEIVE CHARGER INPUT. (NOTE: ONLY USE CHARGER PROVIDED)
14. **NON SLIP FLOOR PLATE:** HELPS PREVENT SLIPING WHEN GETTING ON AND OFF OF MACHINE.

FIGURE 3.

15. **BURNISHING DECK LEFT ACCESS DOOR:** GIVES YOU EASY ACCESS TO BURNISHING DECK AND HOSES.
16. **REAR TIRES:** NON-MARKING AND EXTRA WIDE TIRES FOR STABILITY.
17. **LEFT SHROUD:** HELPS COLLECT DUST FROM THE BURNISHING PADS
18. **BURNISHING MOTOR:** SPINS BURNISHING PADS AT 2000 RPMS

FIGURE 4.

19. **BURNISHING DECK RIGHT ACCESS DOOR:** GIVES YOU EASY ACCESS TO BURNISHING DECK AND HOSES
20. **DUST TRAY:** FILTER SHAKER DROPS DUT FROM FILTER ON TO DUST TRAY.
21. **DUST TRAY LATCH:** HOLDS DUST TRAY CLOSED AND AIR TIGHT.
22. **RIGHT SHROUD:** HELPS COLLECT DUST FROM THE BURNISHING PADS.
23. **DUST CURTIAN:** KEEPS DUST FROM ESCAPING FROM UNDER MACHINE.

FIGURE 5.

24. **BATTERIES:** PROVIDE POWER TO RUN MACHINE.
25. **VACUUM FAN:** PROVIDES POWER TO VACUUM SYSTEM.
26. **MAIN FAN HOSE:** VACUUM FAN PULLS CLEAN AIR FROM THE FILTER BOX THROUGH THE MAIN FAN HOSE.
27. **LEFT AND RIGHT VACUUM HOSES:** THESE HOSES PULL DUST FROM THE SHROUDS TO THE FILTER BOX.

FIGURE 6.

28. **KEY SWITCH:** TURNS POWER TO MACHINE ON AND OFF.
29. **MENU CONTROL:** SCROLLS THROUGH DIFFERENT OPTIONS ON THE LCD DISPLAY.
30. **BURNISHING DECK PRESSURE ADJUSTMENT TOGGLE SWITCH:** SETTINGS #1 (MINIMUM) - #5 (MAXIMUM).
31. **FORWARD/REVERSE SWITCH:** CONTROLS THE DIRECTION OF THE TRACTION MOTOR.
32. **ONE TOUCH BUTTON:** ACTIVATES THE BURNISHING DECK, AND DUST CONTROL SYSTEM SIMULTANEOUSLY.
33. **FILTER SHAKER SWITCH:** SHAKES DEBRIS FROM FILTER AND DROPS THEM INTO DUST TRAY.
34. **LCD SCREEN DISPLAY:** LISTS FUNCTIONS AND SETTINGS OF THE MACHINE.

MACHINE PREP

UNCRATING MACHINE

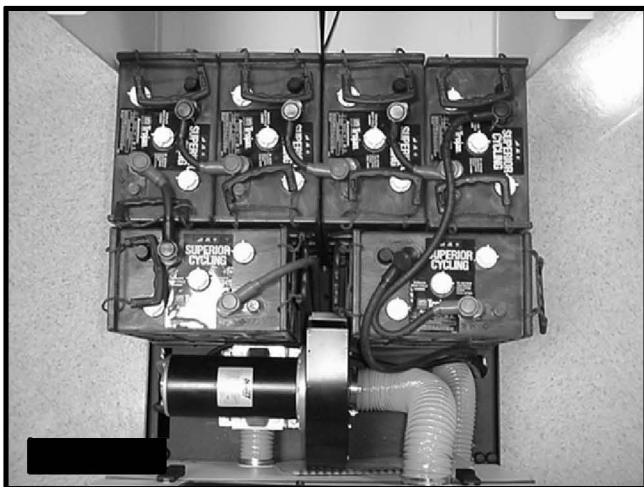
CAREFULLY CHECK THE CRATE FOR ANY SIGNS OF DAMAGE. BATTERIES ARE IN THE UNIT.

TO UNCRATE THE MACHINE, REMOVE BANDING FROM AROUND THE CRATE. TAKE OFF THE TOP AND SIDES AND DISPOSE OF PROPERLY. REMOVE BANDING FROM MACHINE. REMOVE THE CHOCKS AROUND THE DRIVE WHEELS. FOLD DOWN RAMP, AND ROLL MACHINE OFF OF THE BASE. NOTIFY THE CARRIER IMMEDIATELY IF CONCEALED DAMAGE IS DISCOVERED.

CONNECTING BATTERIES

YOUR MACHINE IS EQUIPPED WITH (SIX) 6 VOLT, DEEP CYCLE, 396 AMP HOURS BATTERIES, WHICH FORM A 36 VOLT SYSTEM. MAXIMUM BATTERY DIMENSIONS ARE 7"W X 15"L X 15"H.

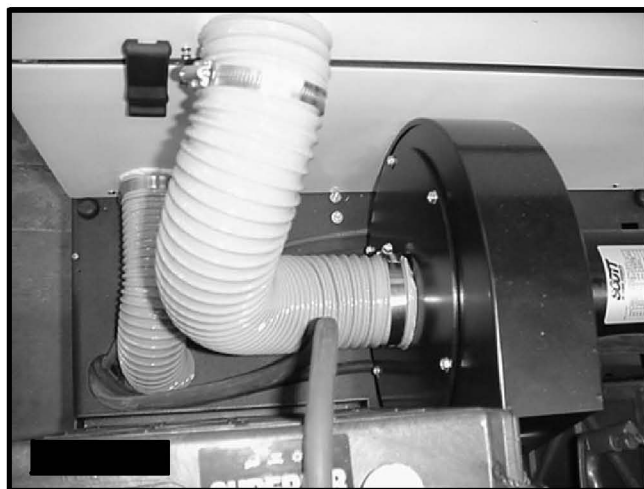
1. TURN ALL SWITCHES TO THE OFF POSITION AND REMOVE KEY.
2. HINGE OPEN THE BATTERY ACCESS LID TO ACCESS THE BATTERY COMPARTMENT.
3. ALL OF THE SIX BATTERY CABLES ARE CONNECTED TO THE BATTERIES. LOCATE ANY LOOSE ONES AND CONNECT TO THE OPEN TERMINAL. TIGHTEN WITH 9/16" WRENCH. **(SEE FIGURE 7)**
4. TURN ON MAIN POWER SWITCH AND CHECK THE BATTERY CONDITION METER TO ENSURE CORRECT INSTALLATION. CHARGE BATTERIES IF NEEDED. **(SEE: BATTERY CHARGING)**



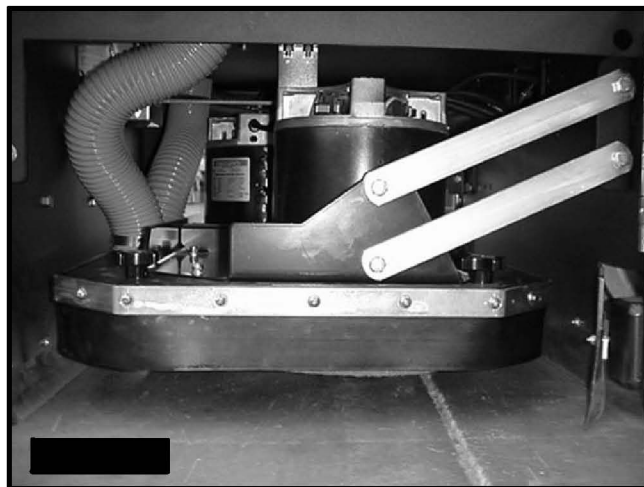
CONNECTING HOSES

YOUR MACHINE IS ALSO EQUIPPED WITH THREE VACUUM HOSES WHICH NEED TO BE CONNECTED FOR THE DUST CONTROL TO WORK PROPERLY.

1. TURN ALL SWITCHES TO THE OFF POSITION.
2. HINGE OPEN THE BATTERY ACCESS LID TO ACCESS THE REAR OF THE FILTER BOX AND FAN CONNECTIONS.
3. CHECK TO SEE IF HOSES ARE CLAMPED DOWN TO THE FAN AND THE FILTER BOX SECURELY. (YOU SHOULD NOT BE ABLE TO PULL THEM OFF EASILY) IF HOSES ARE LOOSE TIGHTEN THE HOSE CLAMP WITH A SCREWDRIVER. **(SEE FIGURE 8)**



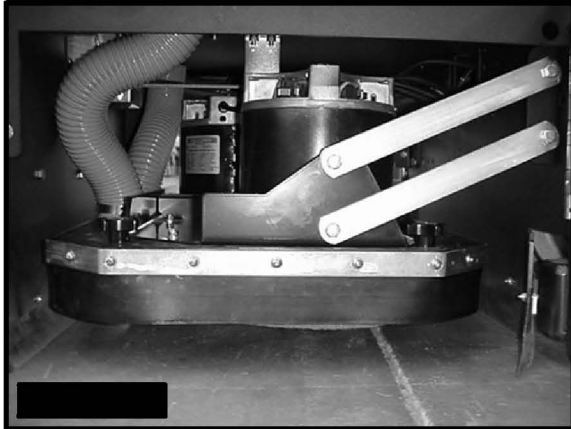
4. CHECK TO SEE IF HOSES ARE CLAMPED DOWN TO THE SHROUD. HOSE SHOULD HAVE JUST ENOUGH SLACK TO MOVE UP AND DOWN WITH THE SCRUB DECK AND NOT INTERFERE WITH OTHER MOVING PARTS. **(SEE FIGURE 9)**



MACHINE SETUP

ATTACHING PADS

1. TURN ON MACHINE POWER
2. RAISE THE SCRUB DECK BY DEPRESSING THE BRUSH SWITCH TO THE UP AND OFF POSITION AND TURN MACHINE POWER BACK OFF. (SEE FIGURE 10.)



3. OPEN SIDE DOORS TO ACCESS BURNISHING DECK.



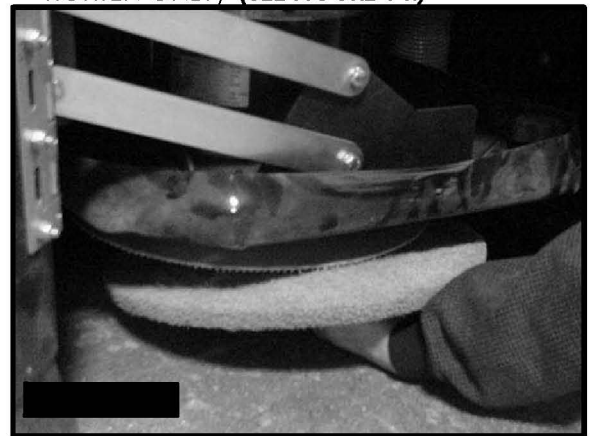
4. LOOSEN (2) KNOBS, (1 PER SHROUD) (SEE FIGURE 11.)
5. SLIDE SHROUD COVERS STRAIGHT OUT AND REMOVE COMPLETELY. (SEE FIGURE 12.)



6. PLACE PAD ON TOP OF LOCKING CLIP AND SLIDE BOTH BELOW BURNISHING DECK AND DIRECTLY INTO THE CENTER OF ONE BURNISHING DISK. (SEE FIGURE 13.)



7. WITH PAD AND CLIP DIRECTLY IN THE CENTER OF ONE OF THE BURNISHING DISKS PUSH UP AND SCREW IN THE PAD CLIP. (HAND TIGHTEN ONLY) (SEE FIGURE 14.)



SHROUDS BACK ONTO BURNISHER DECK, AND TIGHTEN (2) KNOBS BACK DOWN TO SECURE SHROUDS.

9. CLOSE DOORS AND DEPRESS LATCH UNTIL DOOR IS SECURED. (SEE FIGURE 15.)



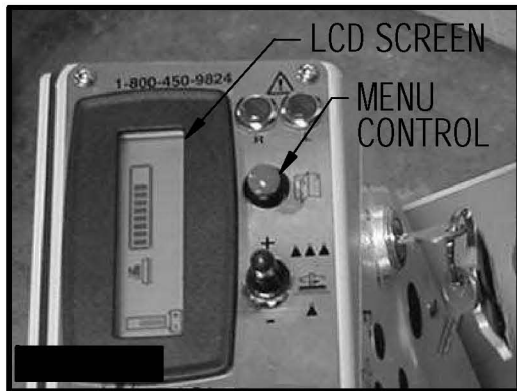
FOR CORRECT PAD APPLICATION, CALL YOUR LOCAL DEALER

OPERATION

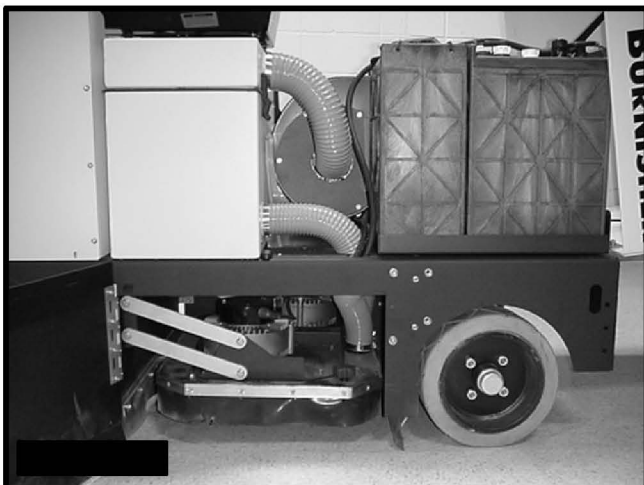
READ AND UNDERSTAND THE SAFETY SECTION ON PAGE 5 AND 6 BEFORE OPERATING MACHINE.

PRE- BURNISHING CHECK LIST

1. CHECK BATTERY CONDITION GAUGE ON THE CENTRAL COMMAND II LCD SCREEN. **(SEE FIGURE 16.)** TO CHECK GAUGE PUSH MENU CONTROL BUTTON UNTIL BATTERY GAUGE APPEARS. MAKE SURE BATTERIES ARE FULLY CHARGED BEFORE USING.



2. CHECK CONDITION OF PADS AND MAKE SURE THEY ARE SECURELY IN PLACE.
3. CHECK HOSE CONNECTIONS FROM FILTER BOX TO FAN AND, FROM FILTER BOX TO SHROUD. **(SEE FIGURE 17)**
4. CHECK TO SEE THAT THE SHROUD IS SECURED TO SCRUB DECK. **(SEE FIGURE 17)**
5. CHECK CONDITION OF SHROUD CURTAIN SHROUD CURTAIN NEEDS TO BE IN GOOD CONDITION FOR DUST CONTROL SYSTEM TO WORK PROPERLY. **(SEE FIGURE 17)**

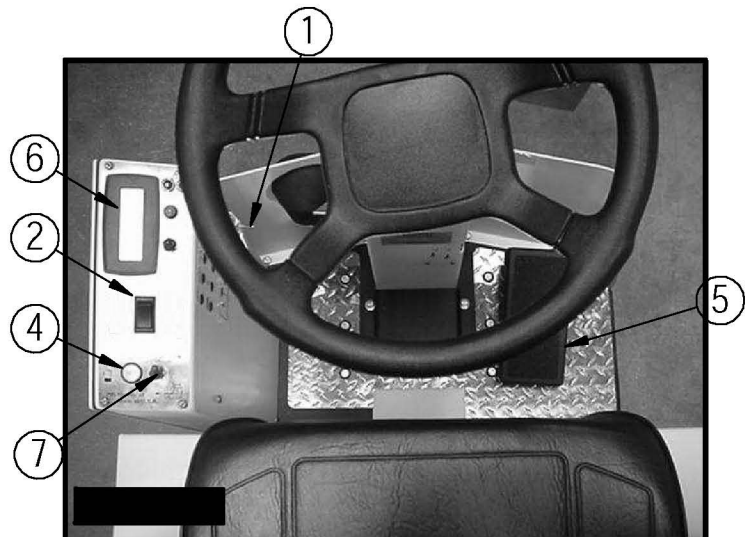


OPERATING HINTS

ONE PASS BURNISHING

STEPS: **(SEE FIGURE 18.)**

1. TURN MACHINE ON WITH THE KEY SWITCH.
2. PRESS THE FILTER BEATER SWITCH FOR ABOUT 5 SECONDS TO CLEAR THE FILTER.
3. LOWER BURNISHING HEAD TO THE FLOOR BY SIMPLY DEPRESSING THE GREEN "ONE TOUCH" BUTTON.
4. THE DUST CONTROL WILL ACTIVATE AUTOMATICALLY WHEN YOU BEGIN BURNISHING.
5. BEGIN BURNISHING BY DEPRESSING THE FOOT PEDAL SLOWLY AND THEN TO THE SPEED REQUIRED, THE HEADLIGHT SHOULD ILLUMINATE.
6. ONCE THE PAD BEGINS TO MOVE, CHECK THE PRESSURE GAUGE. START BURNISHING AT THE #1 OR #2 MARK, DO NOT USE #4 OR #5 MARKS WITHOUT MANAGEMENT'S APPROVAL. ***
7. TO OPERATE MACHINE IN REVERSE, SIMPLY SWITCH THE REVERSE SWITCH TO THE REVERSE POSITION, BACK UP ALARM MAY SOUND AND YOUR SPEED IS SET TO ROUGHLY 50% OF FORWARD.
8. TO STOP THE MACHINE, LET OFF THE FOOT PEDAL, AND THE MACHINE WILL STOP AUTOMATICALLY.



BATTERY CHARGING

CAUTION: THE FOLLOWING INSTRUCTIONS ARE INTENDED FOR THE 36V CHARGER SUPPLIED WITH THE MACHINE. DO NOT USE ANY OTHER CHARGER WITH THIS MACHINE.

CHARGER SPECIFICATIONS

OUTPUT VOLTAGE OF 36 VOLTS.

OUTPUT CURRENT OF 36 AMPS MAX.

INPUT VOLTAGE OF 110 VOLTS/60 HZ.

AUTOMATIC SHUT OFF CIRCUIT.

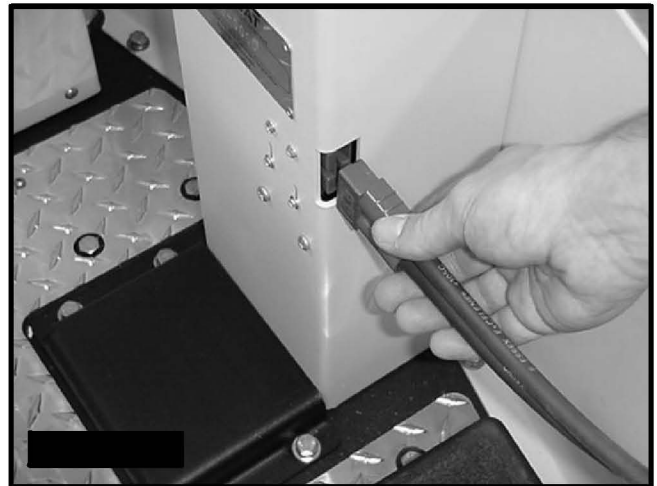
MADE FOR DEEP CYCLE BATTERIES.

DANGER: ALWAYS CHARGE BATTERIES IN A WELL VENTILATED AREA. BATTERIES EMIT HYDROGEN GAS. EXPLOSION OR FIRE CAN RESULT. KEEP SPARKS AND FLAME AWAY. SHIELD EYES WHEN SERVICING BATTERIES AND AVOID CONTACT WITH BATTERY ACID. **LEAVE REAR HOOD OPEN WHEN CHARGING!**

1. TRANSPORT MACHINE TO A WELL VENTILATED AREA FOR CHARGING.
2. TURN THE MACHINE OFF.
3. HINGE OPEN THE BATTERY ACCESS HOOD TO EXPOSE THE BATTERIES. **(SEE FIGURE 19.)**
(CAUTION ALWAYS WEAR EYE PROTECTION WHEN BATTERIES ARE EXPOSED)



4. CHECK THE WATER LEVEL IN EACH BATTERY. DO NOT CHARGE THE MACHINE UNLESS THE WATER IS SLIGHTLY HIGHER THAN THE PLATES. IF NEEDED, ADD ENOUGH **DISTILLED** WATER TO JUST SLIGHTLY COVER THE PLATES. DO NOT OVER FILL. BATTERIES CAN OVERFLOW DURING CHARGING. REPLACE CAPS BEFORE CHARGING.
5. WITH THE GREY CHARGER PLUG DISCONNECTED FROM THE MACHINE, PLUG THE CHARGER POWER CORD INTO A GROUNDED 110 VOLT STANDARD WALL OUTLET.
(SEE FIGURE 20)
6. CONNECT THE GREY CHARGER PLUG INTO THE BATTERY CHARGING PORT LOCATED ON THE LOWER PORTION OF THE STEERING TOWER.



7. THE CHARGER WILL AUTOMATICALLY BEGIN CHARGING, AND AUTOMATICALLY SHUT OFF WHEN FULLY CHARGED (CHECK GAUGE)
8. AFTER THE CHARGER HAS TURNED OFF, UNPLUG THE GREY CHARGER PLUG FROM THE MACHINE AND DISCONNECT THE CHARGER FROM THE WALL OUTLET.
9. RECHECK THE CELL LEVEL AFTER CHARGING. IF NEEDED, ADD DISTILLED WATER UP TO THE CORRECT LEVEL. BE CERTAIN TO REPLACE THE CAPS SECURELY AND TO WIPE OFF THE TOP OF THE BATTERIES WITH A CLEAN CLOTH.

MAINTENANCE

DAILY MAINTENANCE

1. CHECK PAD CONDITION. (REPLACE IF NESSEARY)
2. CHECK BATTERY CHARGE.
3. CLEAN FILTER WITH FILTER SHAKER.
4. EMPTY DUST TRAY.
5. CHECK PADS FOR WEAR AND REPLACE IF NEEDED.
6. CHARGE UNIT AND VERIFY THAT CHARGER IS OPERATING PROPERLY

MONTHLY MAINTENANCE

1. CHECK FLEX DRIVER
2. CHECK TO SEE IF BATTERY CABLES ARE TIGHTENED (TIGHTEN IF NEEDED)
3. CHECK PARKING BRAKE
4. CHECK CONDITION OF BURNISHING DECK LIFTING CABLE.

WEEKLY MAINTENANCE

1. CHECK BATTERY WATER LEVEL.
2. CHECK CONDITION OF ALL THREE TIRES.
3. CHECK CONDITION OF DUST CURTAINS ON SHROUD.
4. CHECK CONDITION OF DUST CURTAIN ON WALLS.
5. CHECK TO SEE IF VACUUM EXHAUST IS CLEAR.

YEARLY MAINTENANCE

1. CALL YOUR LOCAL DEALER FOR YEARLY MAINTENANCE

PREVENTATIVE MAINTENANCE RECORDS

USE THIS FORM TO MAKE COPIES FOR YOUR INTERNAL RECORDS

PREVENTATIVE MAINTENANCE

CHECKED

NOTE

ROTATE PADS

CHECK FILTER

CHECK VACUUM HOSE (ALL THREE)

CHECK SHROUD CURTAIN

CHECK DOOR CURTAIN

CHECK FRONT AND REAR CURTAINS

CHECK BATTERY WATER LEVEL

CHECK BATTERY VOLTAGE

CHECK CHARGER CONDITION

CHECK MACHINE PERFORMANCE

BURNISHING POWER

VACUUM POWER

CONTROLS

GAUGES

CHECK WHEEL TRACTION

OTHER: _____

OTHER: _____

PAST HOUR METER READING: _____

CURRENT HOUR METER READING: _____

AVERAGE WEEKLY USAGE: _____

TECHNICIAN PRINT: _____

TECHNICIAN SIGNATURE: _____

MANAGER SIGNATURE: _____

DATE: _____

DATE: _____

PREVENTATIVE MAINTENANCE RECORDS

USE THIS FORM TO MAKE COPIES FOR YOUR INTERNAL RECORDS

PREVENTATIVE MAINTENANCE

CHECKED

NOTE

ROTATE PADS

CHECK FILTER

CHECK VACUUM HOSE (ALL THREE)

CHECK SHROUD CURTAIN

CHECK DOOR CURTAIN

CHECK FRONT AND REAR CURTAINS

CHECK BATTERY WATER LEVEL

CHECK BATTERY VOLTAGE

CHECK CHARGER CONDITION

CHECK MACHINE PERFORMANCE

BURNISHING POWER

VACUUM POWER

CONTROLS

GAUGES

CHECK WHEEL TRACTION

OTHER: _____

OTHER: _____

PAST HOUR METER READING: _____

CURRENT HOUR METER READING: _____

AVERAGE WEEKLY USAGE: _____

TECHNICIAN PRINT: _____

TECHNICIAN SIGNATURE: _____

MANAGER SIGNATURE: _____

DATE: _____

DATE: _____

PREVENTATIVE MAINTENANCE RECORDS

USE THIS FORM TO MAKE COPIES FOR YOUR INTERNAL RECORDS

PREVENTATIVE MAINTENANCE

CHECKED

NOTE

ROTATE PADS

CHECK FILTER

CHECK VACUUM HOSE (ALL THREE)

CHECK SHROUD CURTAIN

CHECK DOOR CURTAIN

CHECK FRONT AND REAR CURTAINS

CHECK BATTERY WATER LEVEL

CHECK BATTERY VOLTAGE

CHECK CHARGER CONDITION

CHECK MACHINE PERFORMANCE

BURNISHING POWER

VACUUM POWER

CONTROLS

GAUGES

CHECK WHEEL TRACTION

OTHER: _____

OTHER: _____

PAST HOUR METER READING: _____

CURRENT HOUR METER READING: _____

AVERAGE WEEKLY USAGE: _____

TECHNICIAN PRINT: _____

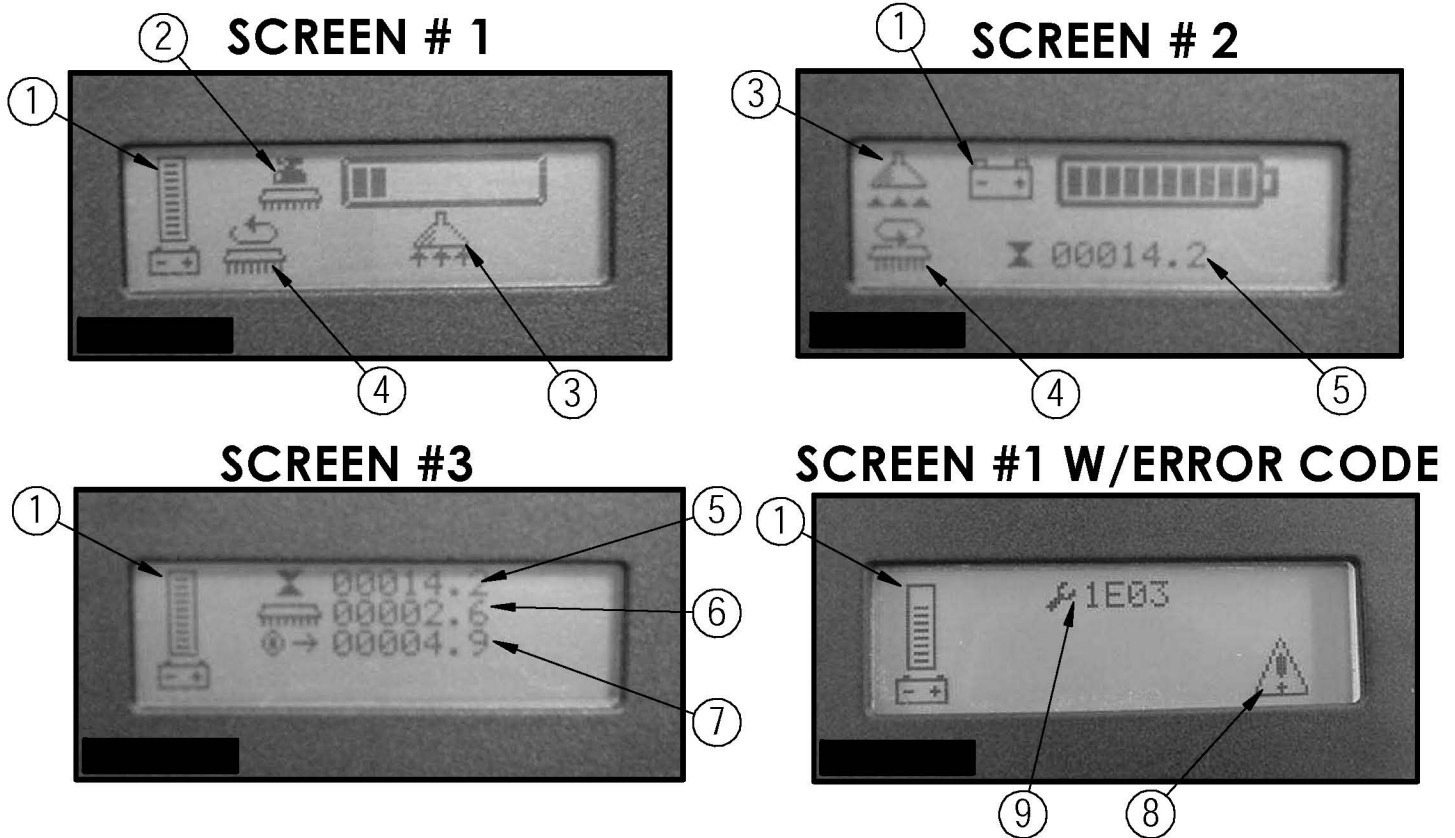
TECHNICIAN SIGNATURE: _____

MANAGER SIGNATURE: _____

DATE: _____

DATE: _____

LCD SCREEN MENU DISPLAYS



***** USE GREEN MENU SELECTION BUTTON ON CONTROL PANEL TO CHANGE SCREENS*****

FIGURES 13-14.

1. **BATTERY LEVEL INDICATOR** - INDICATES THE ENERGY LEVEL REMAINING IN THE BATTERIES. (SHOWN ON ALL MENU DISPLAYS)
2. **BURNISHER DECK DOWN PRESSURE GAUGE** - SETS THE DOWN PRESSURE ON THE BURNISHING PADS. (SEE FIGURE 21.)
3. **VACUUM/FAN ON** - TELLS YOU WHEN THE VACUUM FAN IS ON. (SEE FIGURES 21. AND 22.)
4. **BURNISHING MOTORS ON** - TELLS YOU WHEN THE BURNISHING MOTORS ARE RUNNING. (SEE FIGURES 21. AND 22.)
5. **KEY SWITCH HOUR METER** - TELLS YOU THE TOTAL HOURS THE MACHINE HAS BEEN ON. (SEE FIGURES 22. AND 23.)
6. **BURNISHING PAD HOUR METER** - TELLS YOU THE TOTAL HOURS THE BURNISHING MOTORS HAVE BEEN USED. (SEE FIGURE 23.)
7. **TRANSPORT HOUR METER** - TELLS YOU THE TOTAL HOURS THE DRIVE SYSTEM HAS BEEN USED. (SEE FIGURE 23.)
8. **ERROR WARNING SYMBOL** - INDICATES WHEN THERE HAS BEEN A DIAGNOSTIC CODE ERROR. (SEE FIGURE 24.)
9. **DIAGNOSTIC CODE** - WHEN THE MACHINE HAS DETECTED AN ERROR IT WILL DISPLAY THE WARNING SYMBOL AND A DIAGNOSTIC CODE WHICH TELL YOU WHATS WRONG. (SEE FIGURE 24.)

(FOR COMMAN ERROR CODES AND DISCRIPTIONS SEE PAGE 18)

TROUBLESHOOTING CENTRAL COMMAND

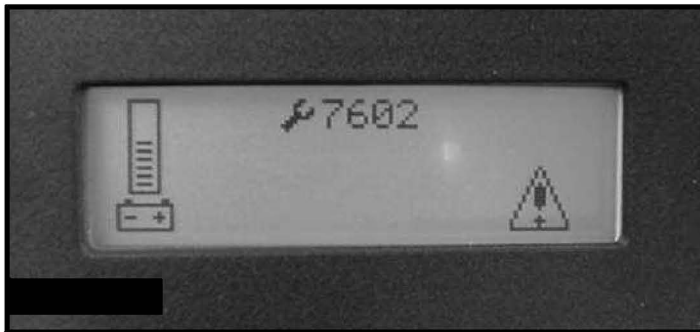
NOTE: THIS MACHINE IS OPERATED BY A SOPHISTICATED ELECTRONIC "BRAIN" THAT HAS MANY FAIL-SAFES WITHIN IT. THE BRAIN SELF-ANALYZES PROBLEMS AND FLASHES A FOUR-DIGIT NUMERIC CODE OF WHAT IS WRONG IN THE **LCD** WINDOW.

MOST OF THESE CODES REQUIRE A TECHNICIAN'S ATTENTION. YOU SHOULD NOT ATTEMPT REPAIRS YOU ARE UNCOMFORTABLE WITH, ESPECIALLY IF YOU ARE NOT USED TO WORKING ON ELECTRONICS.

THE COMPLETE LIST OF CODES IS PUBLISHED IN THE **SIMPLIFIED ELECTRONIC TROUBLESHOOTING MANUAL**, WHICH IS AVAILABLE TO TECHNICAL PEOPLE. HOWEVER, WE HAVE INCLUDED THE BASIC CODES THAT YOU CAN USUALLY RESOLVE YOURSELF.



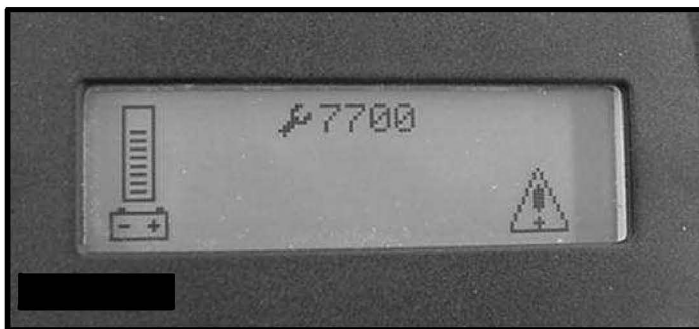
1. 1E03 AND 1E04 ERROR. CHECK THE SMALL SAFETY SWITCH NEXT TO THE RED PLUG BELOW THE DASHBOARD. THIS SWITCH WILL TURN OFF THE TRACTION DRIVE AND BRUSHES AS A SAFETY FEATURE WHILE THE CHARGER IS PLUGGED IN. THE SWITCH MAY BE STUCK, OR THE PLUG TWISTED AT AN ANGLE, ENGAGING THE SWITCH. THIS CODE WILL ALSO FLASH IF THE WIRING BECOMES VERY WET. IN THIS CASE, EITHER WAIT UNTIL THE WIRING DRIES OUT, OR CALL A TECHNICIAN.



2. 7601 AND 7602 ERROR. PAD CURRENT OVER LOAD. THIS CAN OCCUR WHEN THE PADS HIT A BUMP IN THE FLOOR. TO RESTART THE PADS, TURN OFF THE KEY AND TURN IT ON AGAIN. TO AVOID THIS ERROR, EITHER SLOW DOWN ON BUMPY PARTS OF THE FLOOR, OR REDUCE DOWNPRESSURE ON THE PADS.



3. 1600 ERROR. VOLTAGE EXCEEDS THE MAXIMUM. EITHER THE BATTERIES ARE MIS-WIRED, OR THE CHARGER IS STILL PLUGGED INTO THE MACHINE.

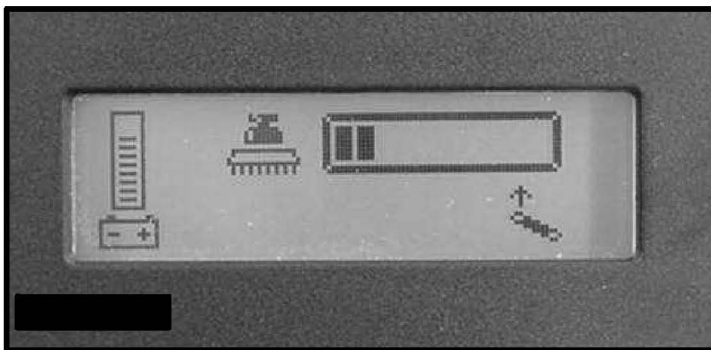


4. 7700, 7701, 7702, AND 7703 ERROR. THE VACUUM MOTOR HAS EXCEEDED AUTHORIZED POWER LIMIT. TURN OFF KEY AND TURN ON AGAIN TO CLEAR.

TROUBLESHOOTING CENTRAL COMMAND



5. **7900 AND 7901 ERROR.** THE EMERGENCY STOP BUTTON IS OUT



6. **2F01 ERROR.** YOU PRESSED THE FOOT PEDAL BEFORE TURNING ON THE KEY. TURN OFF THE KEY AND TRY AGAIN, LEAVING FOOT OFF OF THE PEDAL.



7. **2C00 AND 2C01 ERROR.** LOW VOLTAGE WARNING. VOLTAGE HAS DROPPED DOWN BELOW THE MINIMUM REQUIRED TO OPERATE THE MACHINE. IF YOU WAIT A FEW MINUTES, THE BATTERIES MAY COAST UP A BIT IN VOLTAGE, ALLOWING YOU TO DRIVE VERY SLOWLY TO THE RECHARGE STATION. IF NOT, YOU WILL HAVE TO RELEASE THE PARKING BRAKE (ON THE FRONT WHEEL, PULL LEVER TOWARD THE FRONT OF THE MACHINE TO RELEASE) AND PUSH THE MACHINE TO RECHARGEING STATION.



8. **7802 ERROR.** THE TRACTION MOTOR WAS USED TO CLIMB A RAMP, AND WAS RUNNING UP THE RAMP FOR MORE THAN THE 60 SECONDS ALLOWED FOR THIS. TURN OFF THE KEY, TURN ON AGAIN, AND CONTINUE. YOU SHOULD NOT USE THIS MACHINE TO CLIMB RAMPS SO STEEP AND SO LONG THAT THIS CODE COMES UP REPEATEDLY, OR YOU COULD OVERHEAT THE TRACTION MOTOR.

9. **ALL OTHER ERROR CODES.** TURN OFF THE KEY, AND DISCONNECT THE POSITVE BATTERY CABLE FROM THE BATTERIES FOR MORE THAN ONE MINUTE (THE TIME IS NEEDED TO DRAIN THE BRAIN'S ON-BOARD CAPACITOR). RECONNECT CABLES, BEING SURE THAT IT IS TIGHT. **TOO LOOSE AND YOU WILL BURN BATTERY. IF YOU OVERTIGHTEN THE CABLES YOU CAN DAMAGE THE BATTERY'S LEAD TERMINAL.** TRY AGAIN.

10. **IF THE PROBLEMS CANNOT BE SOLVED BY ANY OF THESE SOLUTION CALL YOUR LOCAL DEALER'S SERVICE DEPARTMENT.**

TROUBLE SHOOTING

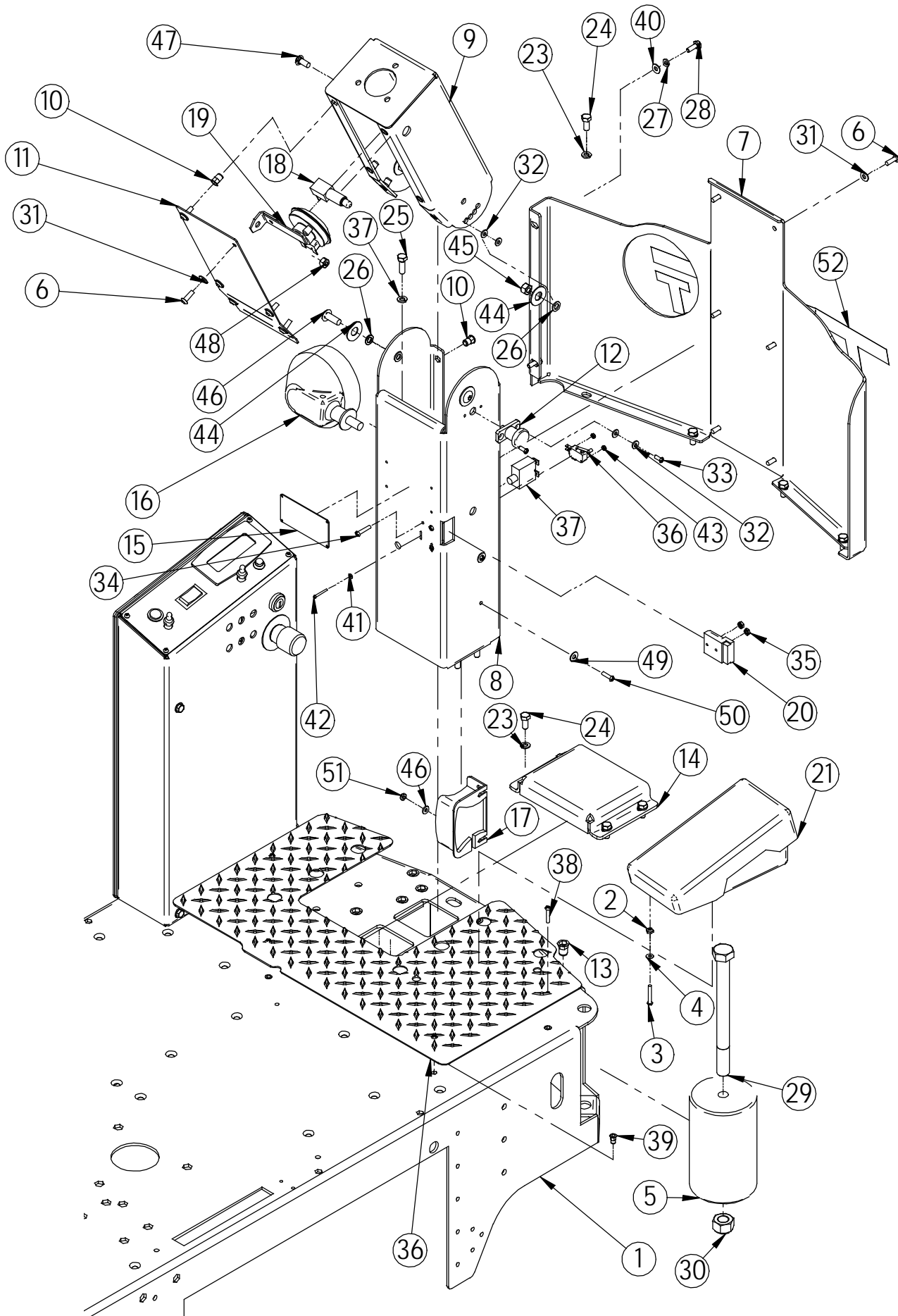
<u>PROBLEM</u>	<u>CAUSE</u>	<u>SOLUTION</u>
NO POWER, NOTHING OPERATES	FAULTY KEY SWITCH BATTERIES NEED CHARGING FAULTY BATTERY LOOSE BATTERY CABLE MAIN CIRCUIT BREAKER TRIPPED	CONTACT LOCAL SERVICING DEALER SEE CHARGING BATTERIES REPLACE BATTERY TIGHTEN LOOSE CABLE WAIT 5 MINUTES FOR AUTO RESET DETERMINE CAUSE AND CORRECT
BURNISHING MOTOR(S) DO NOT OPERATE	BURNISHING DECK IS NOT DOWN FOOT PEDAL IS NOT DEPRESSED BURNISHING CIRCUIT BREAKER TRIPPED CARBON BRUSHES WORN FAULTY MOTOR OR WIRES	PUT DECK DOWN ENGAGE FOOT PEDAL WAIT 5 MINUTES FOR AUTO RESET DETERMINE CAUSE AND CORRECT CONTACT LOCAL SERVICING DEALER CONTACT LOCAL SERVICING DEALER
DRIVE MOTOR DOES NOT OPERATE	RECHARGE SWITCH MISADJUSTED FAULTY SPEED CONTROLLER OR WIRES FAULTY DRIVE MOTOR FAULTY WIRING CARBON BRUSHES WORN	CONTACT LOCAL SERVICING DEALER CONTACT LOCAL SERVICING DEALER CONTACT LOCAL SERVICING DEALER CONTACT LOCAL SERVICING DEALER CONTACT LOCAL SERVICING DEALER
DUST CONTROL FAN DOES NOT OPERATE	FAULTY VACUUM SWITCH VACUUM CIRCUIT BREAKER TRIPPED FAULTY VACUUM MOTOR CARBON BRUSHES WORN	TRY OPERATING "WHITE" TOGGLE WAIT 5 MINUTES FOR AUTO RESET DETERMINE CAUSE AND CORRECT CONTACT LOCAL SERVICING DEALER CONTACT LOCAL SERVICING DEALER
DRIVE MOTOR RUNS INCORRECTLY	FAULTY SPEED CONTROLLER OR WIRES FAULTY POTENTIOMETER LOOSE WIRES	CONTACT LOCAL SERVICING DEALER CONTACT LOCAL SERVICING DEALER CONTACT LOCAL SERVICING DEALER

MODEL 295/335

MACHINE PARTS SECTION

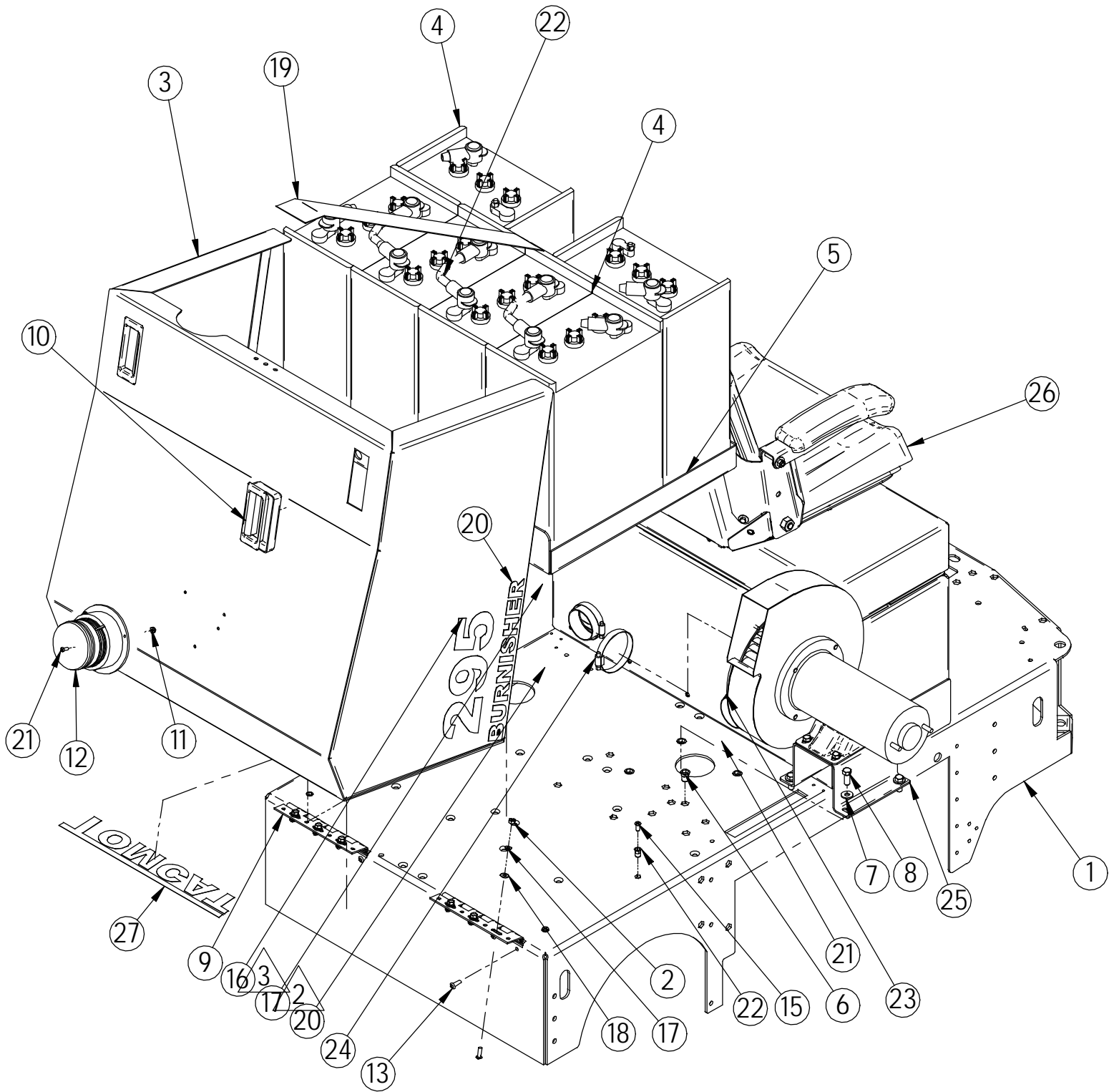
SOME PARTS ARE MADE IN RED AND YELLOW. IF YOU NEED YELLOW PARTS USE THE ALTERNATE PART NUMBER WHICH WILL START WITH (291-XXXX). IF YOU NEED RED PARTS, USE THE NORMAL PART NUMBER THAT WILL START WITH (290-XXXX). IF THERE IS ONLY ONE PART NUMBER, THAT IS THE ONLY COLOR THAT PART COMES IN.

FRAME TOP FRONT



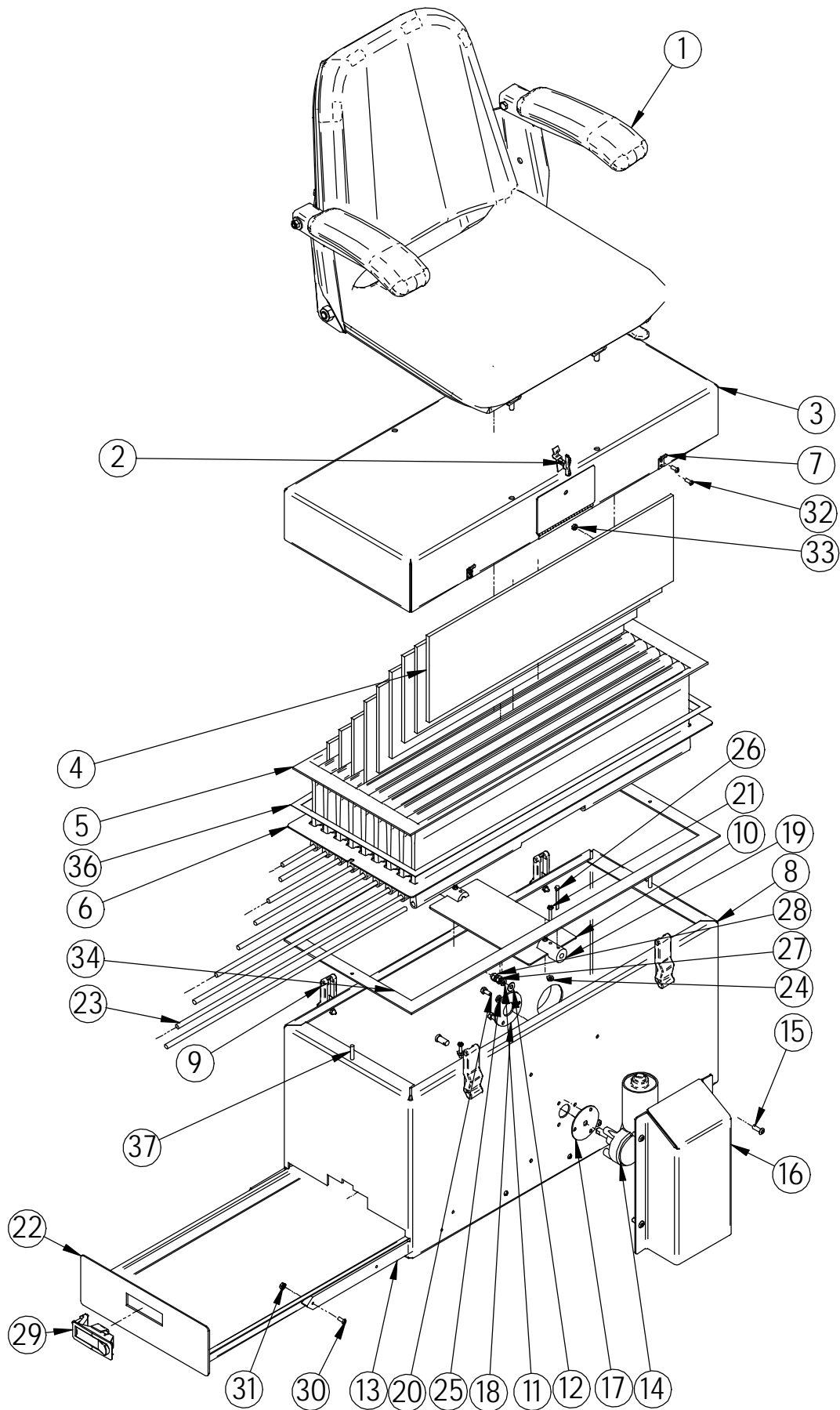
Item	Part No.	Alt. Part. No.	Part Description	Qty
1	290-9502		FRAME WELDMENT	1
2	H-70858		NYLOK #10-32 SS	2
3	H-73747		RPH #10-32 X 1 1/4" SS	2
4	H-78009		FW 3/16" X 7/16" SS	2
5	7-125A		ROLLER	2
6	H-73754		BHSCS 1/4 - 20 X 3/4 SS	12
7	290-1180	291-1180	FRONT APRON	1
8	290-1170	291-1170	LOWER STEERING TOWER	1
9	290-1171	291-1171	UPPER STEERING TOWER	1
10	H-250HCN		HCN 1/4"-20	12
11	290-1172	291-1172	COVER	1
12	290-7050		INDEX PLUNGER	1
13	H-312HCN		HCN 5/16"-18	16
14	290-1173		DRIVE COVER	1
15	21-0101		SERIAL NO. PL. (TOMCAT)	1
16	8-291		HEADLIGHT	1
17	8-292		BACKUP ALARM	1
18	8-294B		PUSH BUTTON SWITCH, SILVER	1
19	430-2940		HORN	1
20	4-260		CONNECTOR, GREY 50	1
21	8-290		FOOT PEDAL	1
22	21-2230		MICRO SWITCH	1
23	H-33620		LW 5/16"	12
24	H-13053		HCS 5/16"-18 X 3/4"	8
25	H-13055		HCS 5/16"-18 X 1"	4
26	H-76063		FW 3/8" NYLON	5
27	H-71063		LW 1/4" SS	2
28	H-70003		HCS 1/4"- 20 X 3/4" SS	2
29	H-11380		HCS 3/4-10 X 8-1/2	2
30	H-37039		NYLOK 3/4"- 10	2
31	H-76061		FW 1/4" NYLON	12
32	H-33074		FW #10 SAE	6
33	H-29048		RPH #10-32 X 1/2"	2
34	H-28902		RPH #8-32 X 1"	2
35	H-37406		KN #8-32	2
36	290-1610		NON SKID FLOOR PLATE	1
37	290-9587		FUSE RESETTABLE 50 AMP	1
38	H-29072		RPH #10-32 X 1"	4
39	H-1032HCN		HCN #10-32	3
40	H-71013		FW 1/4" X 5/8" SS	2
41	H-33066		FW #4 SAE	2
42	H-28678		RPH #4-40 X 1"	2
43	H-37006		NYLOK #4-40	2
44	H-71021		FW 3/8" X 7/8" SS	4
45	H-37024		NYLOK 3/8"-16	2
46	H-73815		BHSCS 3/8"- 16 X 1" SS	2
47	H-21253		CB 5/16"- 18 X 3/4"	1
48	H-36104		HN 5/16"-18	1
49	H-71009		FW #10 SS	2
50	H-29060		RPH #10-32 X 3/4"	2
51	H-37015		NYLOK #10-32	2
52	21-1530		FRONT TOMCAT STICKER	1

FRAME TOP REAR



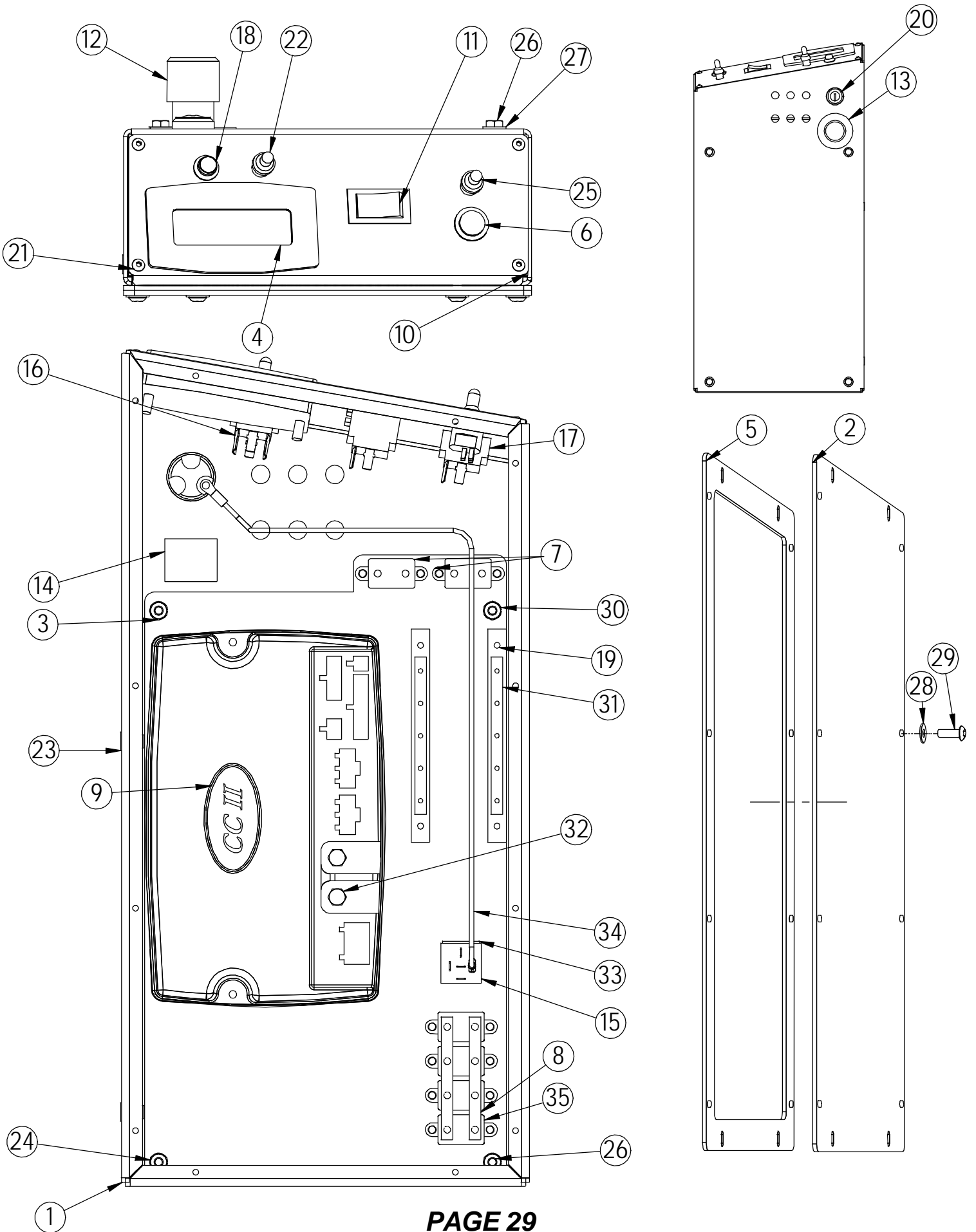
Item	Part No.	Alt. Part No.	Part Description	Qty
1	290-9502		FRAME WELDMENT	1
2	H-70710		HN 1/4"- 20 SS	14
3	290-9512	291-9512	HOOD	1
4	290-2110		L 16 H BATTERY 6 VOLT 395 AH	6
5	290-9515		BATTERY BOX	1
6	H-375HCN		HCN 3/8"- 16	4
7	H-33008		FW 3/8" USS	3
8	H-13105		HCS 3/8"- 16 X 1"	3
9	5-122		HINGE 8" SS	2
10	5-849		RECESSED HANDLE	2
11	H-70858		NYLOK #10-32 SS	3
12	8-293		STROBE LIGHT	1
13	H-73754		BHSCS 1/4 - 20 X 3/4 SS	14
14	H-250HCN		HCN 1/4"-20	7
15	H-72706		FHP 1/4"- 20 X 5/8" SS	3
16	290-9504		295 STICKER	2
17	H-71063		LW 1/4" SS	14
18	H-71013		FW 1/4" X 5/8" SS	14
19	290-9589		ACCESS LID STRAP	1
20	290-9552		BURNISHER STICKER	2
21	H-72563		RPH #10-32 X 1/2" SS	3
22	290-9588		BATTERY CABLE KIT	2
23	H-62091		CLAMP 1 9/16 - 2 1/2 " SS	4
24	H-62091		CLAMP 1 9/16 - 2 1/2 " SS	2
25	SEE PAGES 35 AND 36		BURNISHER MOTOR, MOUNT, AND FAN ASSY	1
26	SEE PAGES 29 AND 30		DUST CONTROL SYSTEM	1
27	290-9504		BACK TOMCAT STICKER	1

FILTER BOX ASSEMBLY



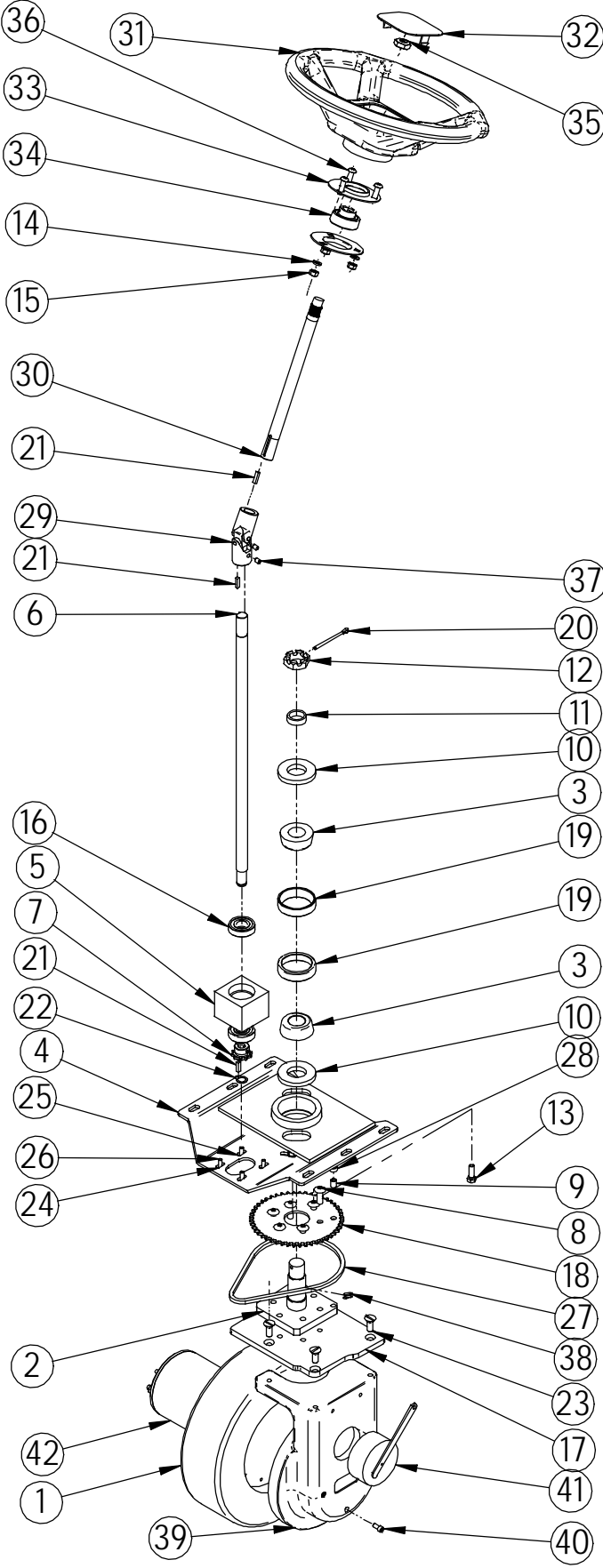
Item	Part No.	Alt. Part No.	Part Description	Qty.
1	8-143		SEAT WITH ARM RESTS	1
2	4-522		DOOR LATCH	1
3	290-9524	291-9524	FILTER HOOD	1
4	290-9520		FILTER SEPARATOR	9
5	290-9522		FILTER ELEMENT	1
6	290-9535		FILTER GRILL	1
7	4-124-01		CLIP	4
8	290-9518	291-9518	FILTER CHAMBER	1
9	4-124		HOOD LATCH	4
10	290-9549		FILTER BEATER BAR PLATE	1
11	H-71063		LW 1/4" SS	5
12	H-71013		FW 1/4" X 5/8" SS	5
13	290-9529		HDPE SLIDE RAIL	2
14	8-221		FILTER CLEANER/SIDE BROOM MOTOR	1
15	H-73754		BHSCS 1/4 - 20 X 3/4 SS	5
16	290-9519		FILTER CLEANER MOTOR COVER	1
17	8-222		MOTOR GASKET	1
18	8-223		GASKET BACKING PLATE	1
19	8-561		FILTER CLEANER MOTOR COUPLER	2
20	H-38558		HCS M6-1.0 X 14	3
21	H-29073		PPH #10-32 X 1"	4
22	290-9517		DUST TRAY	1
23	4-503A		FILTER WEIGHT ROD	9
24	H-37015		NYLOK #10-32	4
25	H-33618		LW 1/4"	3
26	H-65105		1/4" X 1 1/5" COTTER PIN	1
27	H-70710		HN 1/4"- 20 SS	5
28	H-37708		1/4-20 LC ACORN NUT	5
29	5-130		DOOR LATCH	1
30	H-72563		RPH #10-32 X 1/2" SS	10
31			KN #10-32 SS	10
32	H-72516		RPH #6-32 X 1/2" SS	16
33	H-70705		HN # 6-32 SS	16
34	290-9550		GASKET	1
36	4-502K		.50 DBL SIDED TAPE	1
37			THREADED TAPER PIN	2

CENTRAL COMMAND II



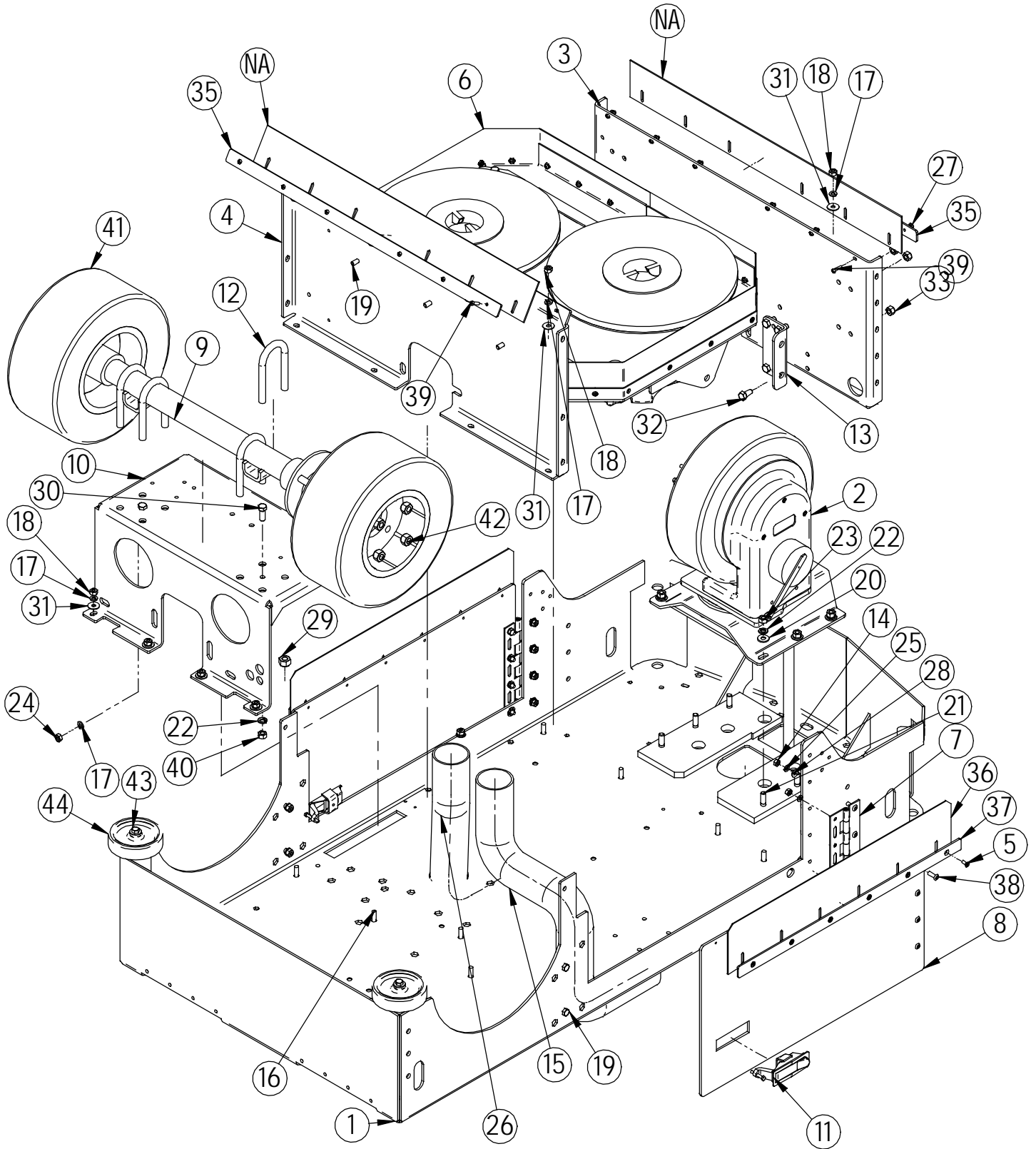
Item	Part No.	Alt. Part No.	Part Description	Qty
1	290-2010	291-2010	CONTROL PANEL	1
2	290-2001	291-2001	ACCESS COVER	1
3	290-2006		HARDWARE PANEL	1
4	290-2891		LCD SCREEN	1
5	290-2004		ACCESS COVER GASKET	1
6	290-2015		ONE TOUCH BUTTON	1
7	290-9565		CIR. BREAKER - 15A, 36V	2
8	E-4HBB		4 HOLE BUSS BAR	2
9	290-2890		COMPUTER CONTROL	1
10	290-9555		CONT PANEL TOP PLATE	1
11	8-233		OFF-MOM SPST	1
12	5-300		EMERGENCY SHUT OFF (OPT)	1
13	5-301		EMERG LEGEND PLATE (OPT)	1
14	5-302		EMERG CONTACT BLK (OPT)	1
15	5-293		15 AMP RELAY	1
16	7-283		SWITCH, TOGGLE, MOM/OFF/MOM (DPDT)	1
17	5-892		TOGGLE, ON-OFF SPST	1
18	7-229		PUSH BUTTON SWITCH	1
19	7-287		BUSS BAR UHMW	2
20	8-234		KEY SWITCH	1
21	H-73743		BHSCS 10-32 X 1/2" SS	4
22	H-01200		PROTECTIVE BOOT, TOGGLE SWITCH, (BLACK)	1
23	H-250HCN		HCN 1/4"-20	2
24	H-36102		HN 1/4"-20	12
25	H-01196		PROTECTIVE BOOT, TOGGLE SWITCH, (RED)	1
26	H-13005		HCS 1/4"-20 X 1"	4
27	H-33078		FW 1/4" SAE	4
28	H-71013		FW 1/4" X 5/8" SS	12
29	H-73754		BHSCS 1/4 - 20 X 3/4 SS	12
30	H-33618		LW 1/4"	4
31	E-5HBB		5 HOLE BUSS BAR	2
32	H-70001		HCS 1/4"-20 X 1/2 SS"	2
33	290-2020		BRACKET	1
34			RESISTOR	1
35	5-289		CIR BREAKER 24V 50A	4

STEERING AND TRACTION



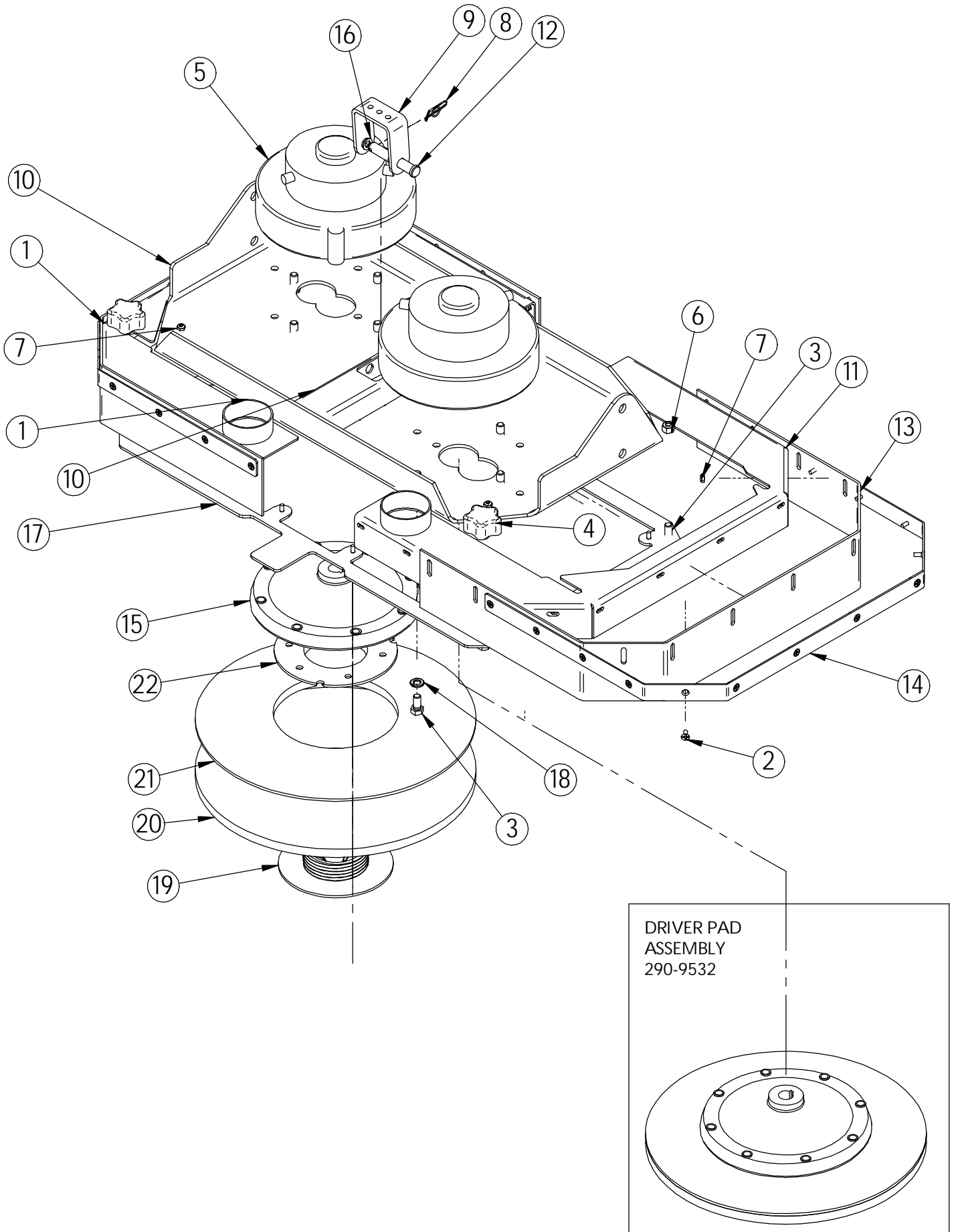
Item	Part No.	Part Description	Qty
1	290-7331	SMOOTH GREY TIRE	1
2	37-7316	PIVOT SHAFT	1
3	37-7317	TAPERED ROLLER BEARING	2
4	37-7315	DROP PLATE	1
5	8-723	BEARING BLOCK	1
6	290-7120	STEERING SHAFT, LOWER	1
7	5-826	10 TOOTH SPROCKET	1
8	H-24103	BHSCS 3/8"- 24 X 1"	6
9	H-25595	SS CP 3/8"- 24 X 1/2"	1
10	37-7319	STEERING SHAFT SEAL	2
11	37-7320	PRE LOAD SLEEVE	1
12	37-7321	SLOTTED NUT, 2.0 - 12	1
13	H-13055	HCS 5/16"-18 X 1"	2
14	H-33620	LW 5/16"	5
15	H-36104	HN 5/16"-18	9
16	8-723B	BEARING	2
17	290-7326	PIVOT PLATE	1
18	37-7314	LARGE STEERING SPROCKET	1
19	37-7318	BEARING CAP	2
20	H-65129	3/16" X 2-1/2" COTTER PIN	1
21	H-00270	3/16" X 3/4" KEY	3
22	H-68013	SNAPRING 5/8"	1
23	H-28121	FHS 3/8-16 X 1"	4
24	H-33618	LW 1/4"	2
25	H-24617	SHCS, LOW HEAD, 1/4- 20 X 5/8"	2
26	H-13003	HCS 1/4"-20 X 3/4"	2
27	290-7327	STEERING CHAIN	1
28	H-05233	PVC TUBING	1
29	290-7110	U-JOINT	1
30	290-7090	STEERING SHAFT, UPPER	1
31	8-703	STEERING WHEEL	1
32	8-701A	STEERING COVER	1
33	4-364A	FLANGE, 1.75" ID	2
34	4-352	BEARING	1
35	H-37038	JNYL 5/8"- 11	1
36	H-94071	BHSCS 5/16-18 X 1	3
37	H-25328	SSS CP 1/4"-20 X 3/8"	2
38	5-831	MASTER LINK	1
39	5-2225	END HOUSING	1
40	H-79041	SHCS 1/4-20 X 1/2 SS	3
41	290-9566	36V ELECTRIC BRAKE	1
42	290-7311	36V, 2HP, MOTOR	1

FRAME BOTTOM



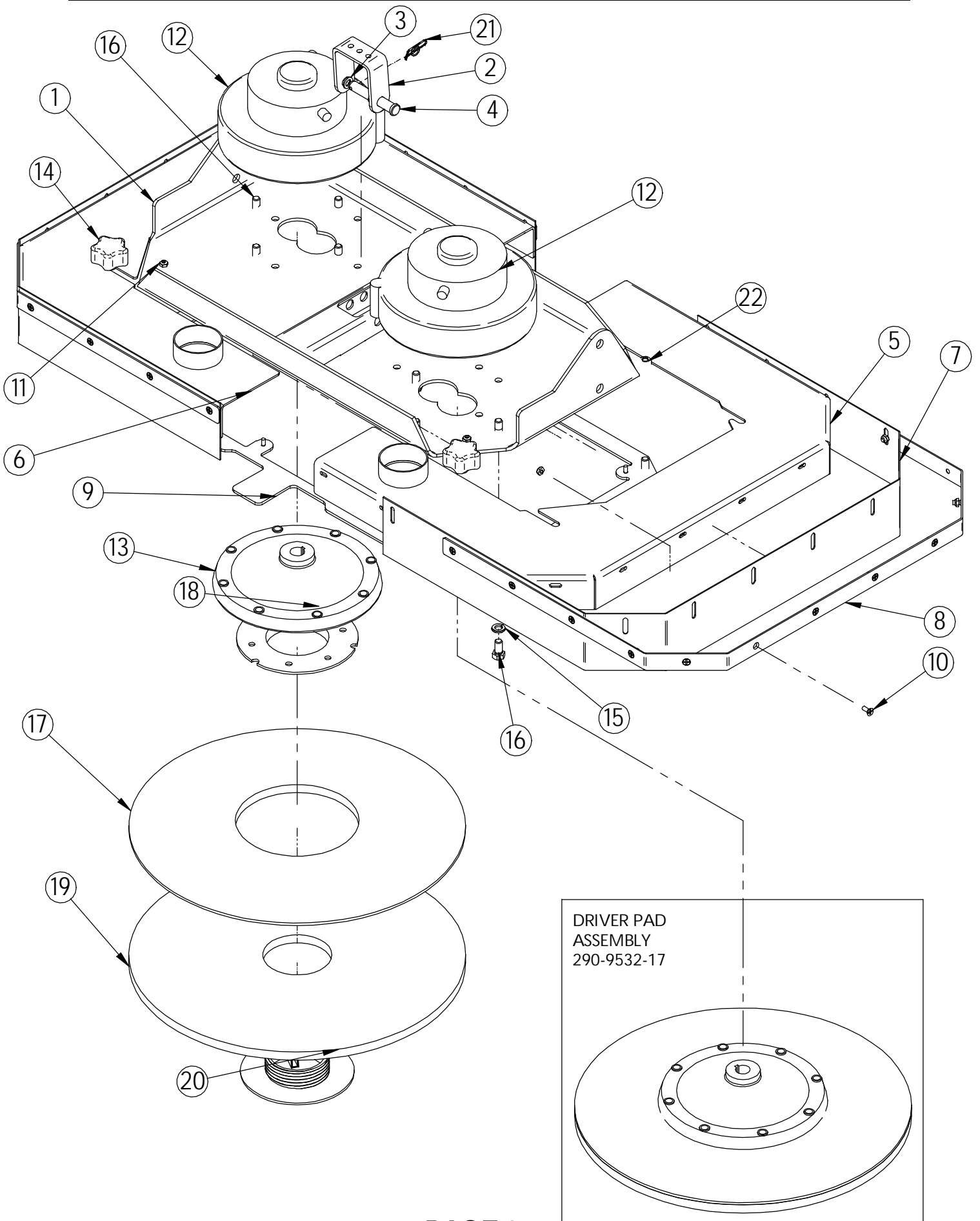
Item	Part No.	Part Description	Qty
1	290-9502	FRAME WELDMENT	1
2	290-9557	WHEEL DRIVE ASS'Y	1
3	290-9536	FRONT PANEL	1
4	290-9551	REAR PANEL	1
5	H-72682	FHP #10-32 X 1/2" SS	12
6	SEE PAGES 31 AND 32	DISK SCRUBHEAD ASSEMBLY	1
7	5-122	8" SS HINGE	2
8	290-9507	DOOR	2
9	290-6040	REAR AXLE	1
10	290-5000	AXLE MOUNT	1
11	5-130	DOOR LATCH	2
12	290-6186	1/2-13 X 1-1/4 " U BOLT	4
13	290-1265	SCRUB ARM BRACKET	2
14	H-36102	HN 1/4"-20	14
15	290-9505	LEFT HAND DUST HOSE	1
16	H-29598	FPH 5/16" - 18 X 1"	11
17	H-33620	LW 5/16"	15
18	H-70861	NYLOK 5/16" - 18 SS	13
19	H-13053	HCS 5/16"-18 X 3/4"	7
20	H-71017	FW 3/8" SS	5
21	H-70145	HCS 3/8"- 24 X 1 3/4" SS	6
22	H-71067	LW 3/8" SS	7
23	H-70732	HN 3/8"- 24 SS	5
24	H-36104	HN 5/16"-18	3
25	H-71063	LW 1/4" SS	14
26	290-9505	RIGHT HAND DUST HOSE	1
27	H-70858	NYLOK #10-32 SS	7
28	H-71013	FW 1/4" X 5/8" SS	8
29	H-37130	NYLOK NUT, 1/2"- 20	8
30	H-70105	HCS 3/8"- 16 X 1" SS	2
31	H-71016	FW 5/16" X 7/8" USS	14
32	H-70103	HCS 3/8"-16 X 3/4" SS	8
33	H-77862	NYLOK 3/8"- 16 SS	6
34	290-9513	LATERAL CURTAIN	2
35	290-9514	REAR CURTAIN MTG. STRIP	2
36	290-9511	SIDE CURTAIN	2
37	290-9516	DOOR CURTAIN BAND	2
38	H-73754	BHSCS 1/4 - 20 X 3/4 SS	16
39	H-72565	RPH #10-32 X 3/4" SS	12
40	H-70712	HN 3/8"-16 SS	2
41	290-6181	SMOOTH REAR WHEEL	2
42	290-6187	LUG NUT, 1/2"- 20	8
43	H-70065	HCS 5/16"- 18 X 3" SS	2
44	5-760B	SIDE WHEEL (GREY)	2

14" BURNISHING DECK ASSEMBLY



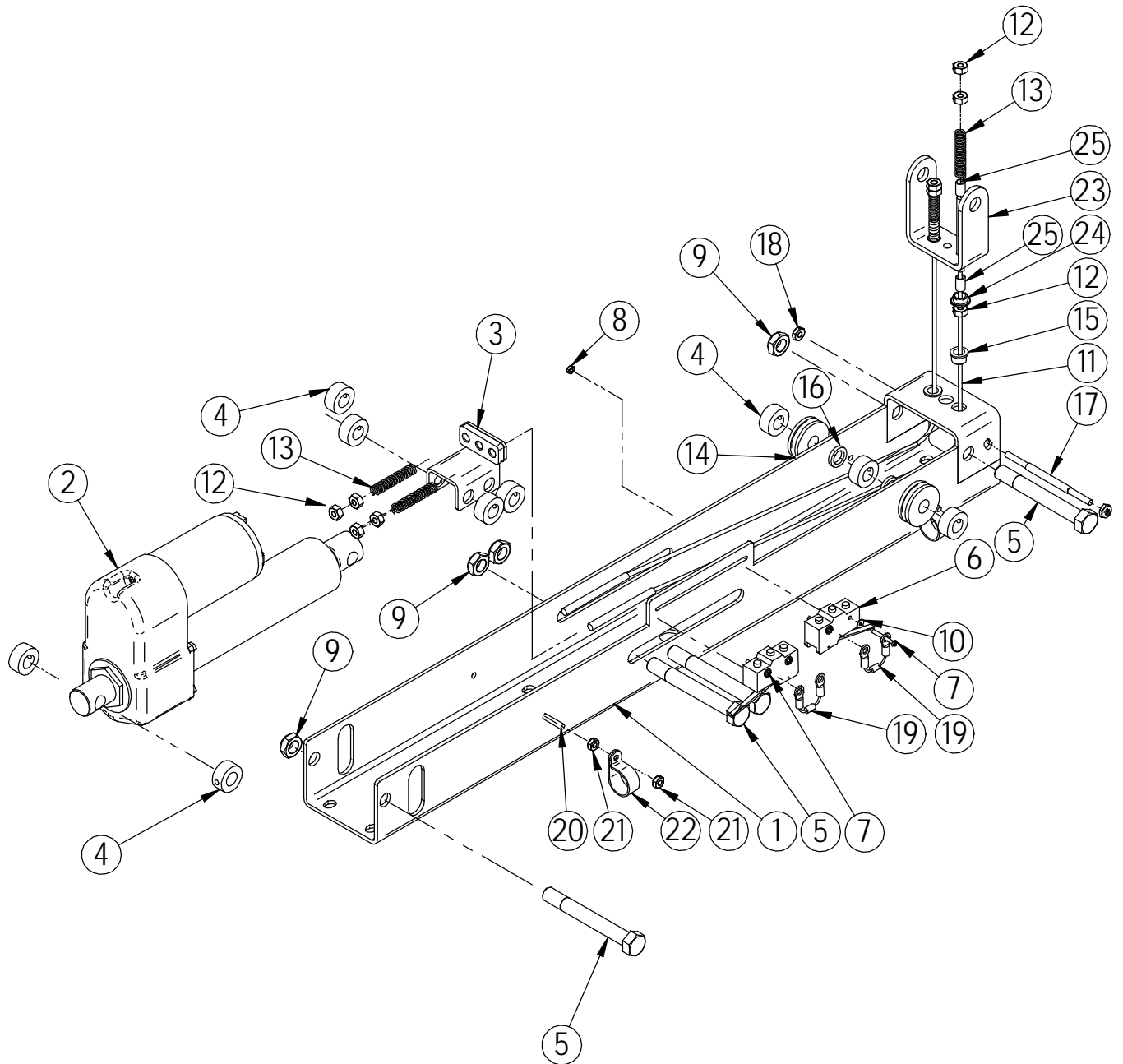
Item	Part No	Part Description	Qty
1	290-9528	(14") LEFT SHROUD	1
2	H-72682	FHP #10-32 X 1/2" SS	38
3	H-70103	HCS 3/8"-16 X 3/4" SS	12
4	290-5786	STAR KNOB	2
5	290-9506	36 VOLT BURNISHER MOTOR	2
6	H-77862	NYLOK 3/8"- 16 SS	2
7	H-70858	NYLOK #10-32 SS	38
8	H-RUE22	1/2" RUE RING COTTER	1
9	290-4010	LIFT BRACKET	1
10	290-9526	BURNISHER DECK	1
11	290-9527	(14") RIGHT SHROUD	1
12	H-CP238	1/2" X 3" CLEVIS PIN	1
13	290-9530	(14") SHROUD CURTAIN	2
14	290-9531	(14") SHROUD CURTAIN MTG STRIP	2
15	290-9569	LOCK DRIVER	2
16	H-76063	FW 3/8" NYLON	2
17	290-9533	SHROUD GUIDE	1
18	H-71067	LW 3/8" SS	8
19	40-434B	DRIVER SCREW IN PAD LOCK	2
20	SEE COMMON WEAR PARTS	BURNISHER PAD	2
21	290-9568	14" DRIVER PLATE	2
22	40-434A	DRIVER LOCK	2

17" BURNISHING DECK ASSEMBLY



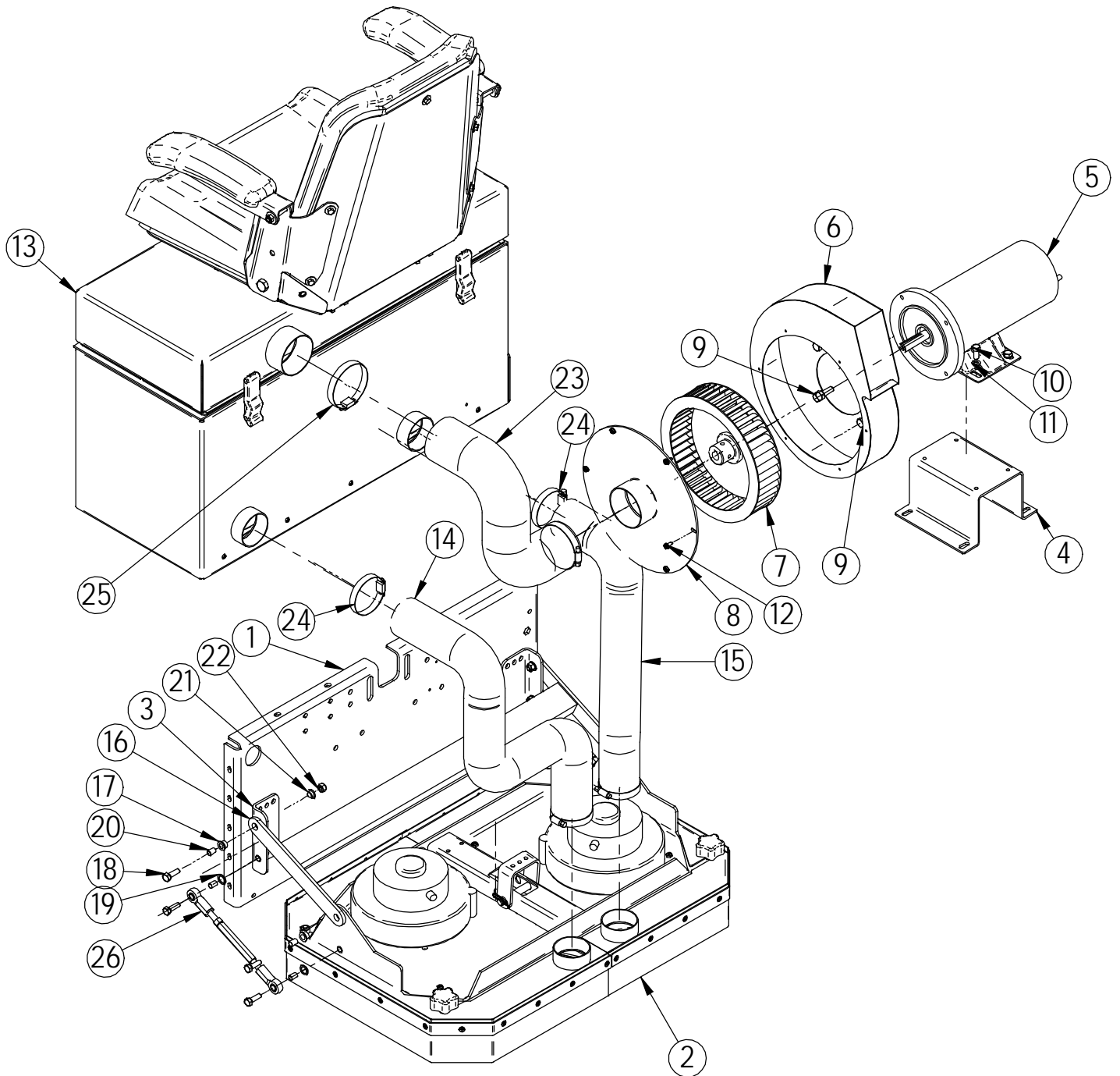
Item	Part No.	Part Description	Qty.
1	290-9526	BURNISHER DECK	1
2	290-4010	LIFT BRACKET	1
3	H-76063	FW 3/8" NYLON	2
4	H-CP238	1/2" X 3" CLEVIS PIN	1
5	290-9574	RIGHT SHROUD	1
6	290-9575	LEFT SHROUD	1
7	290-9577	17" SHROUD CURTAIN	2
8	290-9578	(17") SHROUD CURTAIN MTG STRIP	2
9	290-9533	SHROUD GUIDE	1
10	H-72682	FHP #10-32 X 1/2" SS	36
11	H-70858	NYLOK #10-32 SS	36
12	290-9506	36 VOLT BURNISHER MOTOR	2
13	290-9569	LOCK DRIVER	2
14	290-5786	STAR KNOB	2
15	H-71067	LW 3/8" SS	8
16	H-70103	HCS 3/8"-16 X 3/4" SS	12
17	290-9576	17" DRIVER PLATE	2
18	40-434A	DRIVER LOCK	2
19	SEE COMMON WEAR PARTS	BURNISHER PAD	2
20	40-434B	DRIVER SCREW IN PAD LOCK	2
21	H-RUE22	1/2" RUE RING COTTER	1
22	H-77862	NYLOK 3/8"- 16 SS	2

ACTUATOR SLIDE ASSEMBLY



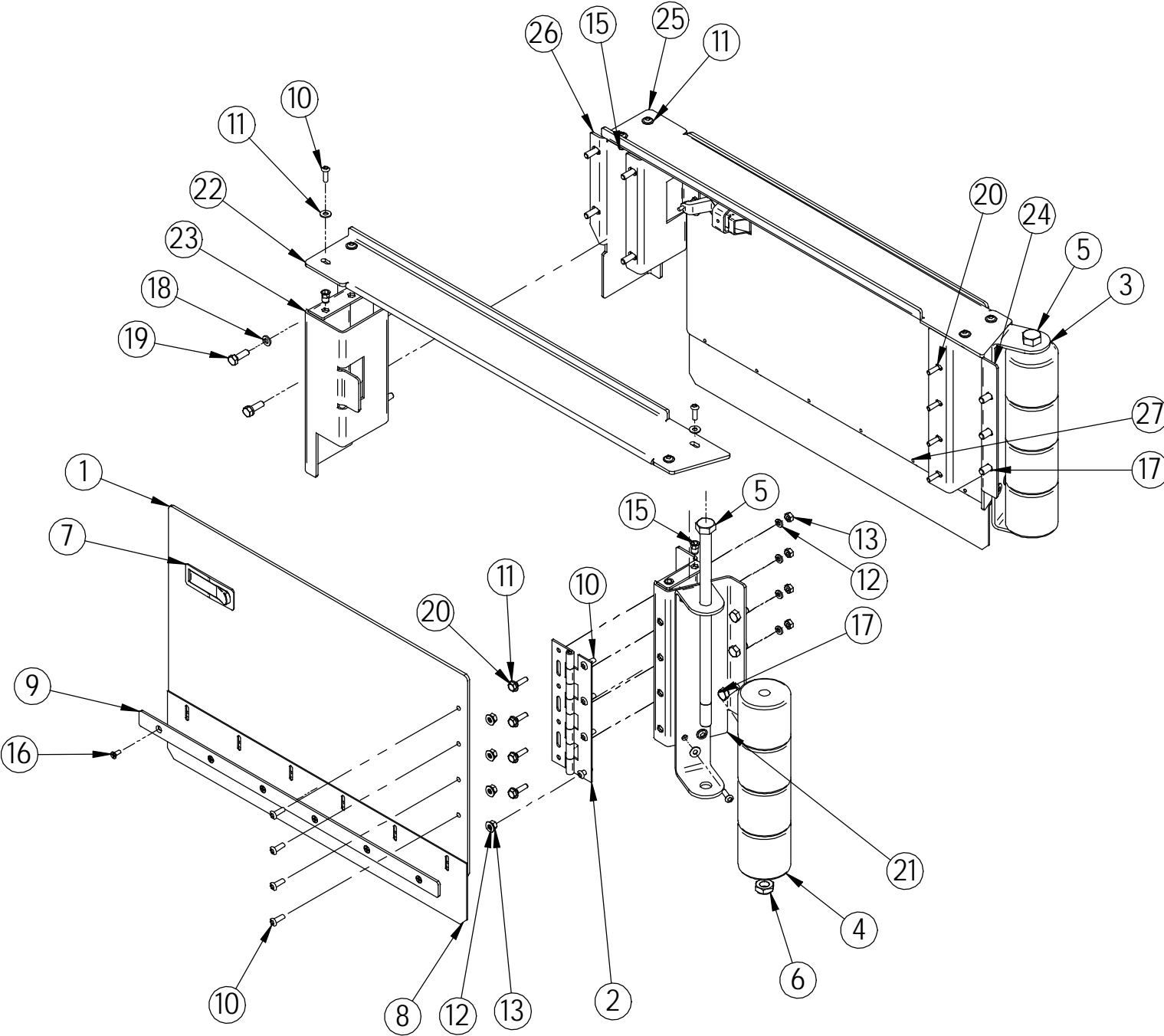
Item	Part No.	Part Description	Qty
1	290-9503	ACTUATOR CHANNEL	1
2	290-9570	36V ACTUATOR; 1000 LB. LOAD (20:1)	1
3	430-7710	CABLE TROLLEY	1
4	H-33374	SHAFT COLLAR, 1/2" ID	9
5	H-11219	HCS 1/2" - 13 X 4.0"	4
6	5-223	LIMIT SWITCH	2
7	H-28679	PPH #4-40 X 1"	4
8	H-37006	NYLOK #4-40	4
9	H-37032	JAM NYLOK NUT, 1/2" - 13	4
10	H-33066	FW #4 SAE	4
11	290-9510	LIFT CABLE	2
12	H-36152	HN 1/4" - 28	10
13	290-7712	COMPRESSION SPRING	4
14	5-772	PULLEY, NYLON	2
15	H-6389	FLANGED BUSHING 3/8" ID X 5/8" OD, NYLON	2
16	H-01320	FW 1/2" ID X 1/8" THICK NYLON	2
17	H-01321	DOUBLE ENDED STUD, 1/4-20 X 4" SS	1
18	H-NJ04C	JNYL 1/4" - 20 SS	2
19	5-270	EMF SUPP DIODE	2
20	H-72566	RPH #10-32 X 1" SS	2
21	H-37408	KN #10-32	4
22	H-78LC	7/8" NYLON LOOP CLAMP	2
23	290-4010	LIFT BRACKET	1
24	290-1243	3/8" ID, 1/2" OD, 1/4" LG BEARING	2
25		.3125 OD. X .25 ID. X .5 LG	4

FILTERING SYSTEM



Item	Part No.	Part Description	Qty.
1	290-9536	FRONT PANEL	1
2	SEE PAGES 31 AND 32	DISK SCRUBHEAD ASSEMBLY	1
3	290-1265	SCRUB ARM BRACKET	2
4	8-165	MOTOR SUPPORT BRACKET	1
5	290-9548	36V MOTOR AND MOUNT ASSY	1
6	4-511	BLOWER HOUSING	1
7	4-512	BLOWER WHEEL	1
8	290-9523	BLOWER DOOR PLATE	1
9	H-13105	HCS 3/8"- 16 X 1"	4
10	H-13053	HCS 5/16"-18 X 3/4"	2
11	H-33620	LW 5/16"	2
12	H-31810	HW #10 X 1/2	5
13	SEE PAGES 29 AND 30	DUST CONTROL SYSTEM	1
14	290-9505	LEFT HAND DUST HOSE	1
15	290-9505	RIGHT HAND DUST HOSE	1
16	290-9586	LATERAL LIFTING BRACKET	1
17	290-1245	3/8" ID, 1/2" OD, 3/8" LG, FLANGE BEARING	2
18	H-70055	HCS 5/16"- 18 X 1" SS	6
19	290-1247	FW BRONZE .50" ID X 1.0" OD X .062	4
20		.375 OD. X .31 ID. X .5 LG	4
21	290-1243	3/8" ID, 1/2" OD, 1/4" LG BEARING	5
22	H-70861	NYLOK 5/16" - 18 SS	3
23	290-9525	MAIN VACCUM HOSE	1
24	H-62091	CLAMP 1 9/16 - 2 1/2 " SS	4
25	H-62091	CLAMP 1 9/16 - 2 1/2 " SS	2
26	290-9587	ADJUSTABLE LATERAL ARM	2

DOOR POD/ROLLER ASSEMBLY



Item	Part No	Part Description	Qty
1	290-9507	DOOR	2
2	5-122	HINGE 8" SS	2
3	290-1126	ROLLER BRACKET	2
4	21-1127	ROLLER	8
5	H-13337	HB 5/8"- 11 X 13"	2
6	H-37038	JNYL 5/8"- 11	2
7	5-130	DOOR LATCH	2
8	290-9511	SIDE CURTAIN	2
9	290-9516	DOOR CURTAIN BAND	2
10	H-73754	BHSCS 1/4 - 20 X 3/4 SS	28
11	H-71013	FW 1/4" X 5/8" SS	40
12	H-71063	LW 1/4" SS	24
13	H-70710	HN 1/4"- 20 SS	24
15	H-250HCN	HCN 1/4"-20	8
16	H-72682	FHP #10-32 X 1/2" SS	6
17	H-70103	HCS 3/8"-16 X 3/4" SS	6
18	H-71065	LW 5/16" SS	8
19	H-70055	HCS 5/16"- 18 X 1" SS	8
20	H-70005	HCS 1/4"- 20 X 1" SS	8
21	290-1272	FRONT RH POD	1
22	290-1292	RH EXT POD TOP SUPPORT	1
23	290-1282	REAR RH EXT POD	1
24	290-1273	FRONT LH EXT POD	1
25	290-1293	LH EXT POD TOP SUPPORT	1
26	290-1283	REAR LH EXT POD	1
27	H-73743	BHSCS 10-32 X 1/2" SS	7